

[54] TOY SEAPLANE

[75] Inventors: Mel Appel, Nine Nottingham Rd., Livingston, N.J. 07039; George Kress, Scotch Plains, N.J.

[73] Assignee: Mel Appel, Livingston, N.J.

[**] Term: 14 Years

[21] Appl. No.: 234,621

[22] Filed: Feb. 17, 1981

[51] Int. Cl. D21-01

[52] U.S. Cl. D21/90

[58] Field of Search D21/82, 88, 87, 90; D12/324; 46/76 R, 77, 78, 79

[56] References Cited

U.S. PATENT DOCUMENTS

- D. 217,888 6/1970 Biemond D12/324
- D. 249,817 10/1978 Samson D21/90

OTHER PUBLICATIONS

"Just For Kids" Catalog, Holiday-1979, p. 27, Wind-Up Toy Airplane.

Playthings, 2-1979, p. 6, Toy Airplane.

Primary Examiner—Charles A. Rademaker
Attorney, Agent, or Firm—Lerner, David, Littenberg & Samuel

[57] CLAIM

The design for a toy seaplane, substantially as shown and described.

DESCRIPTION

FIG. 1 is a perspective view of a toy seaplane showing our new design;

FIG. 2 is a front elevational view thereof;

FIG. 3 is a rear elevational view thereof;

FIG. 4 is a left side elevational view thereof;

FIG. 5 is a right side elevational view thereof;

FIG. 6 is a top plan view thereof;

FIG. 7 is a bottom plan view thereof.

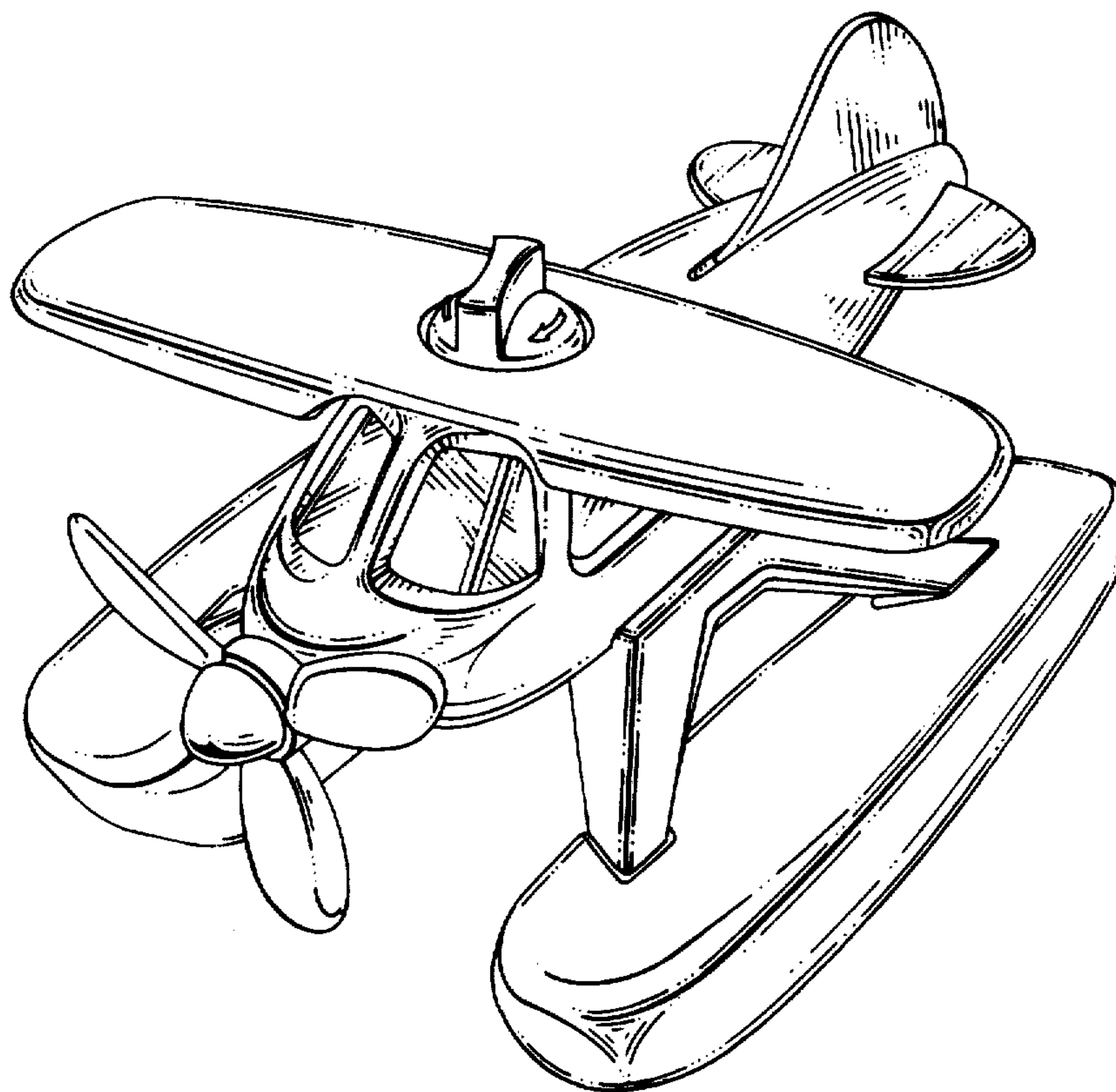


FIG. 1

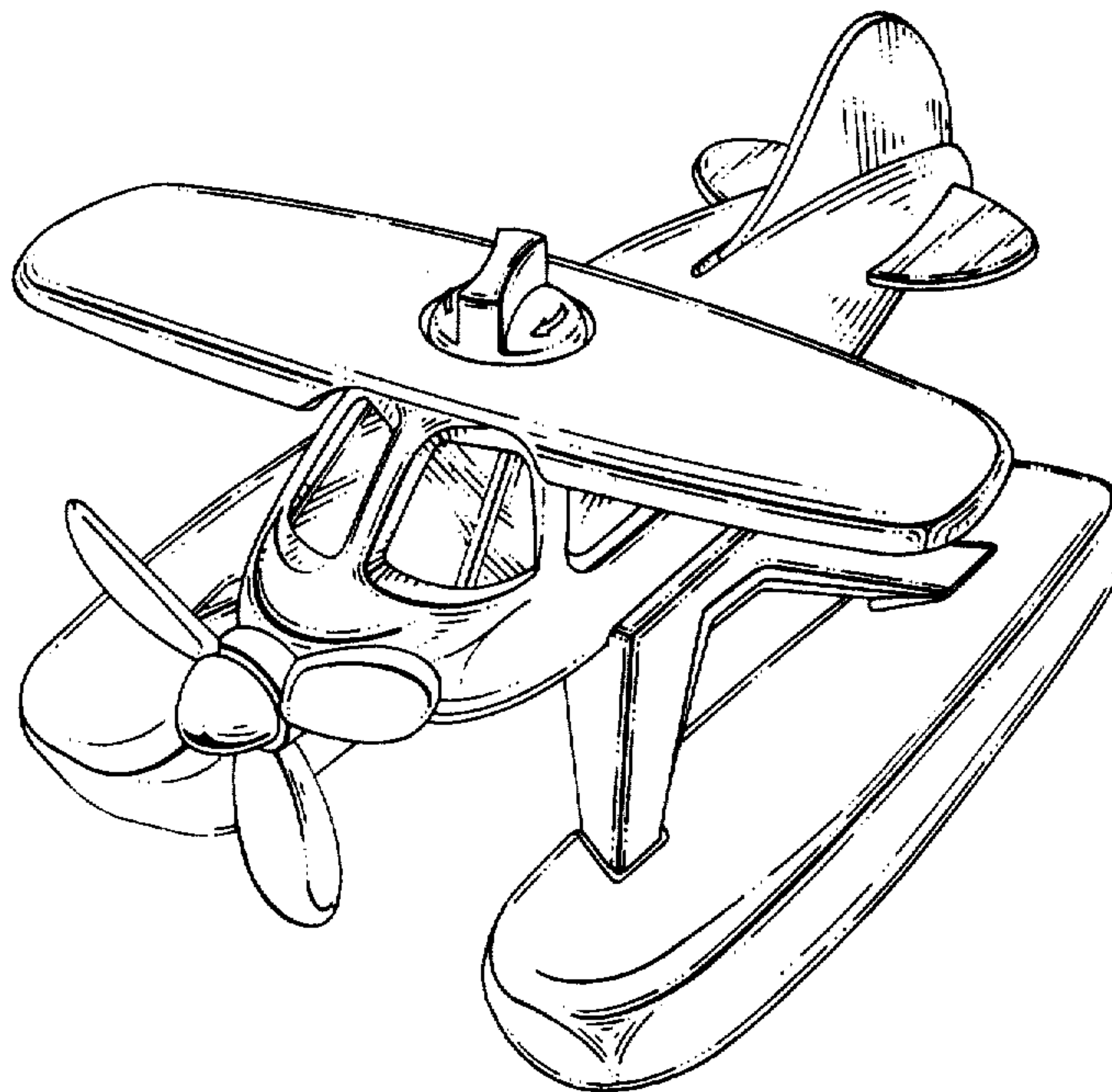


FIG. 2

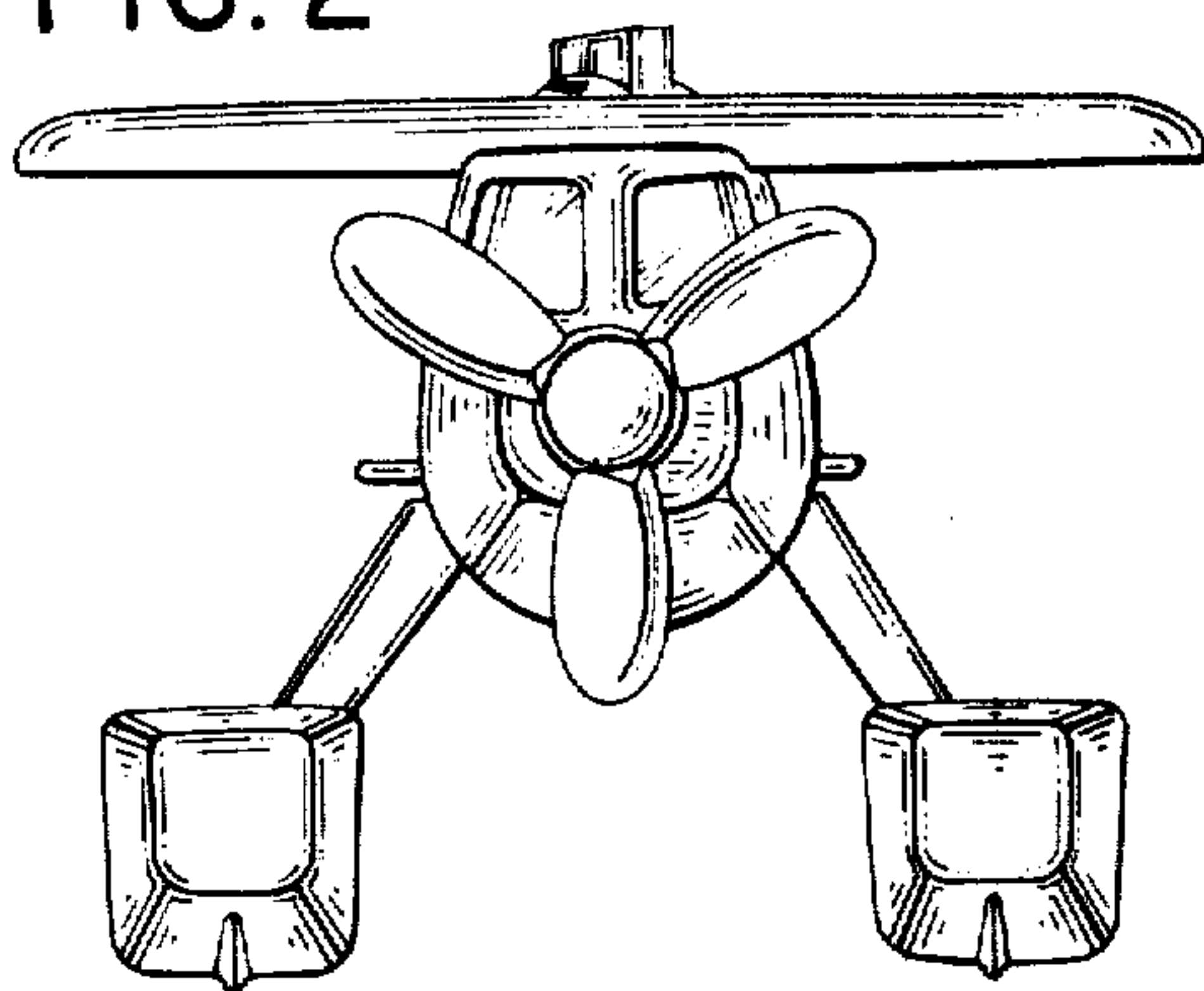


FIG. 3

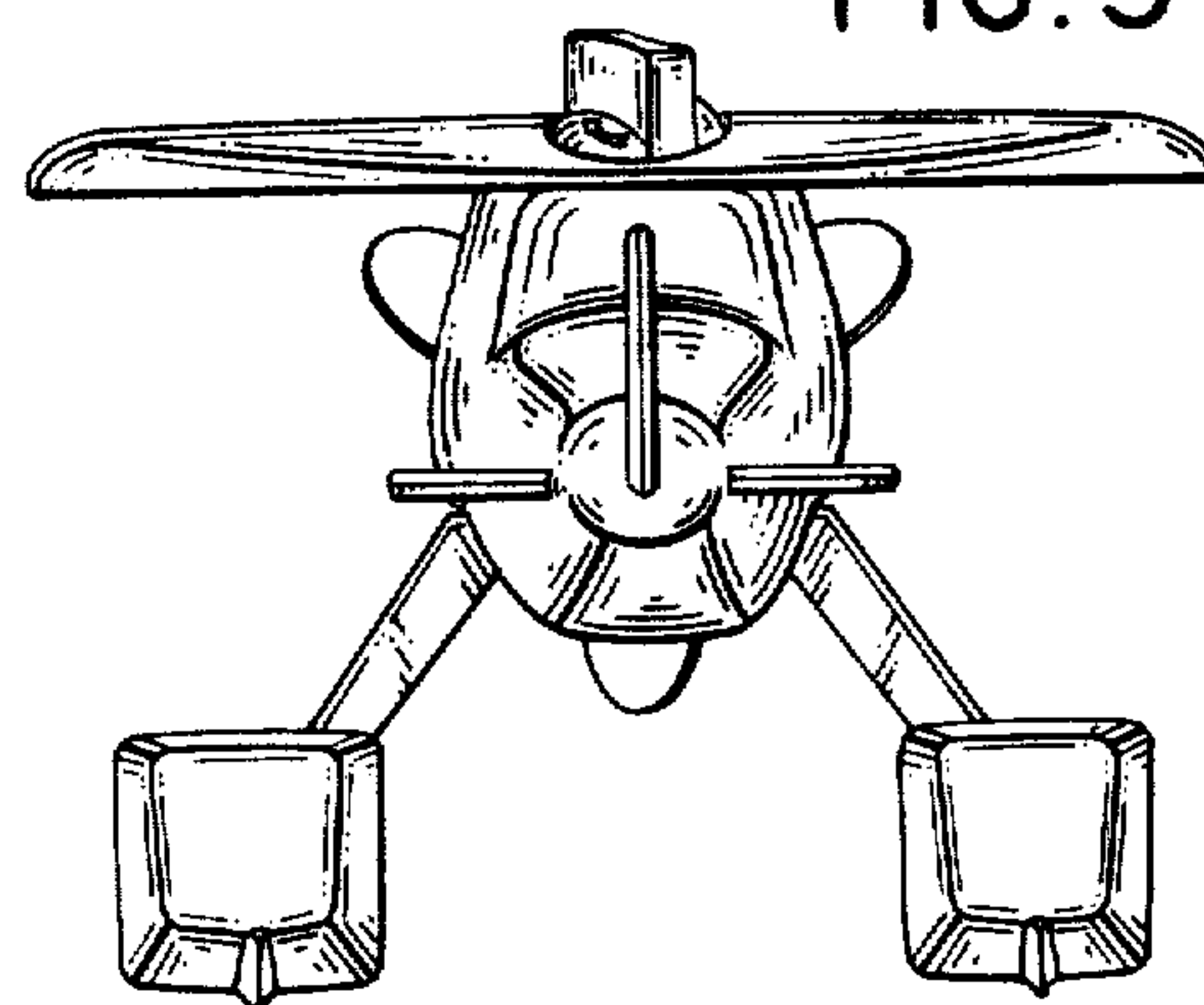


FIG. 4

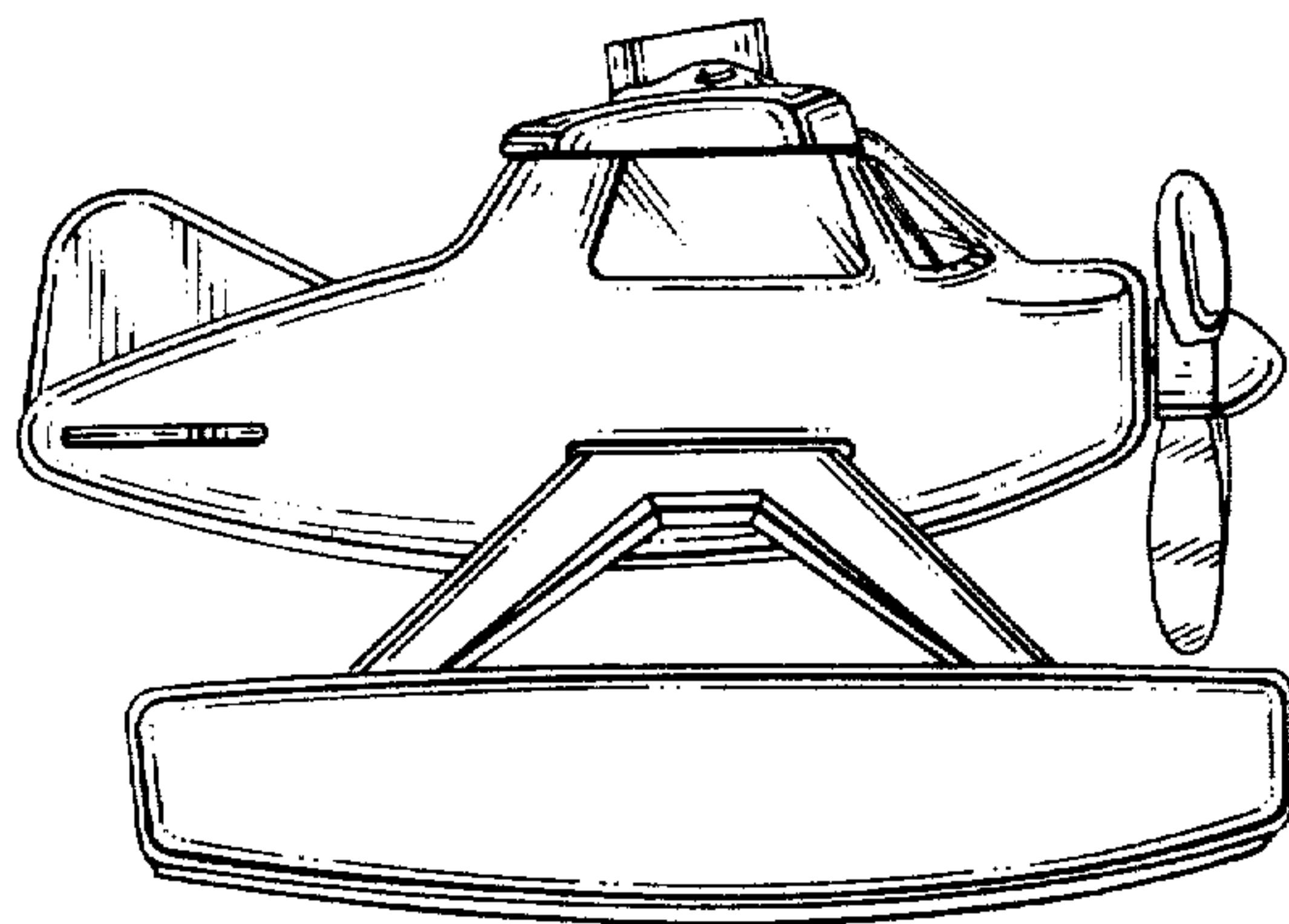


FIG. 5

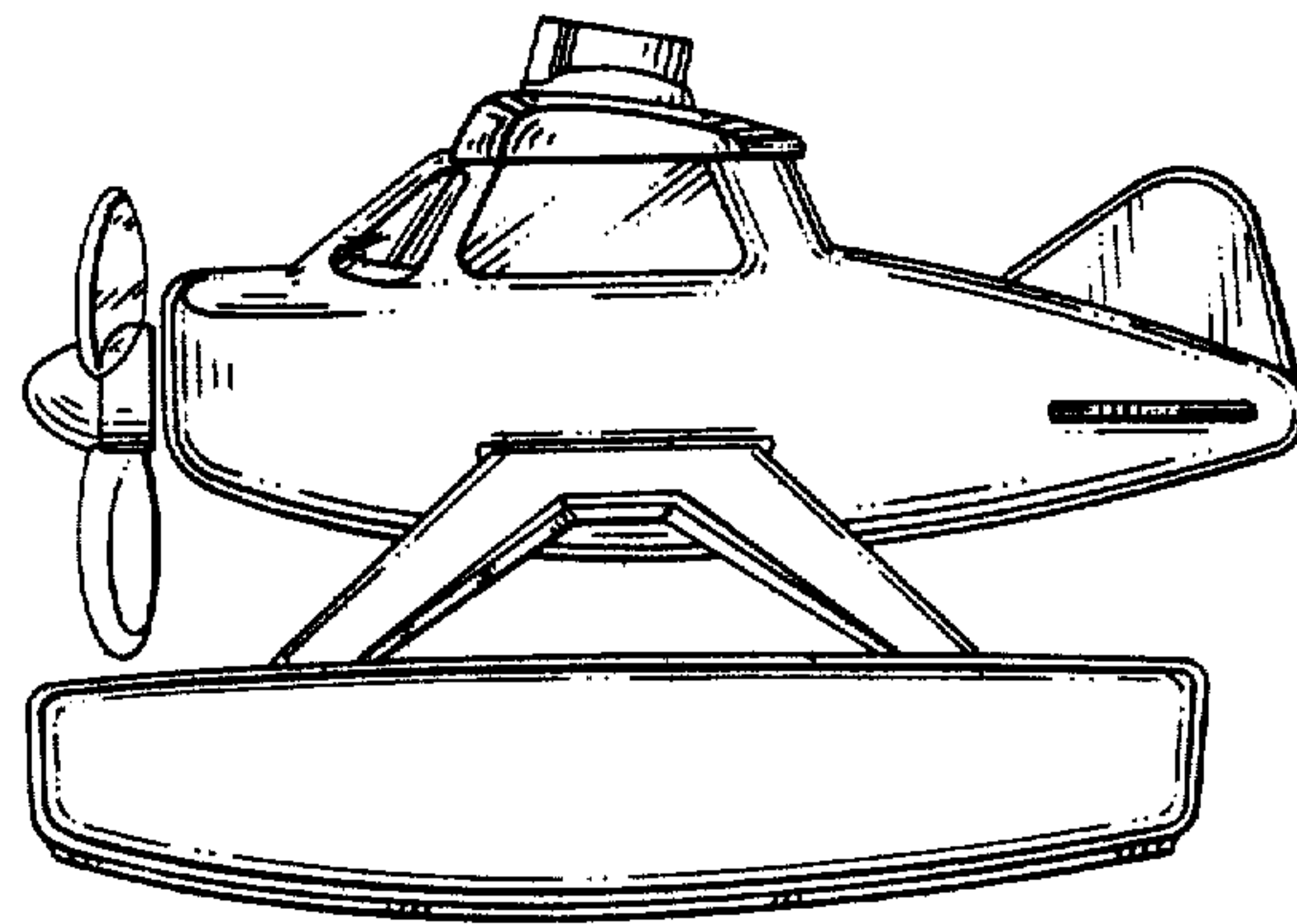


FIG. 6

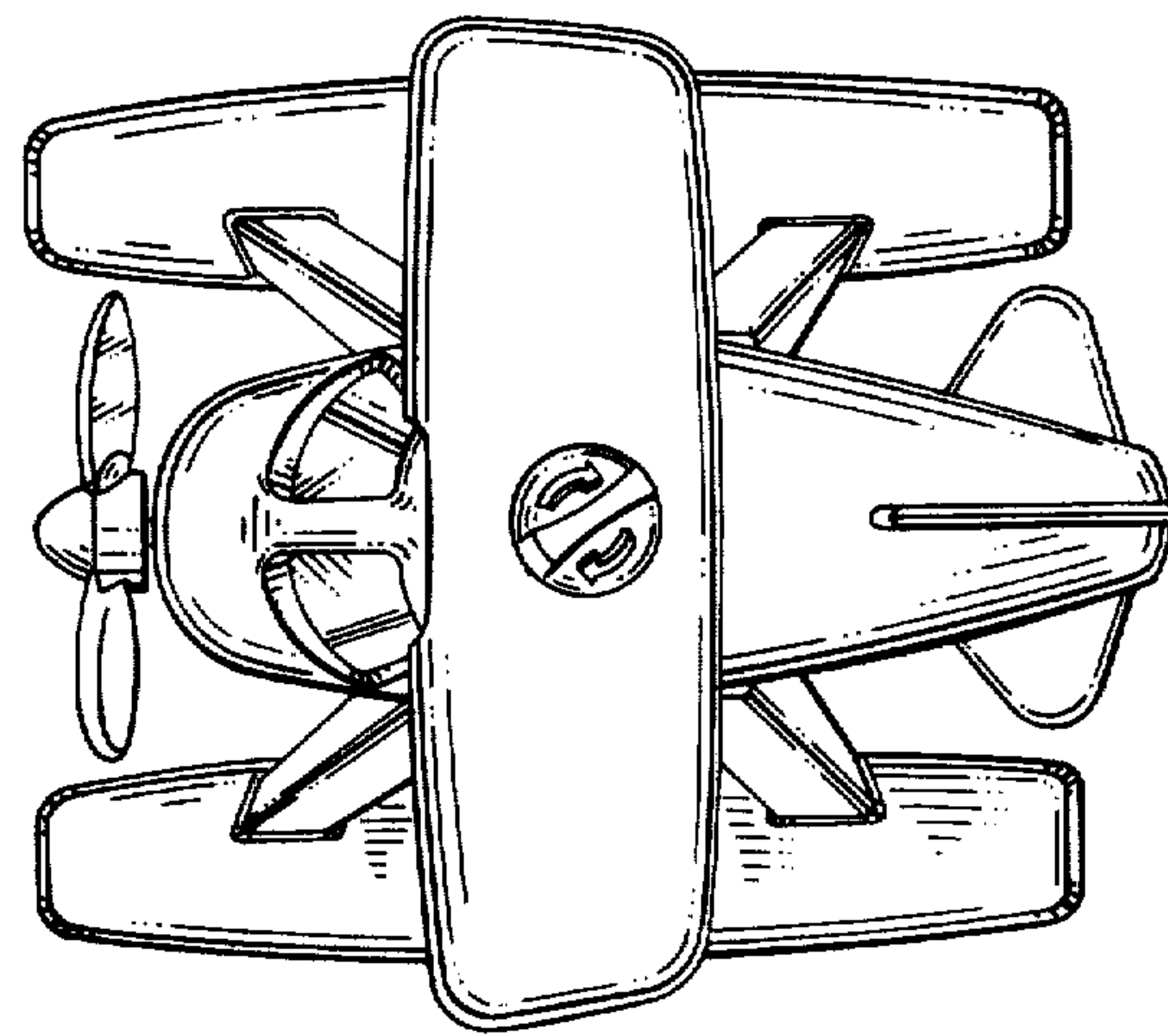


FIG. 7

