

[54] **MICROFILM READER**

[75] Inventor: **John W. Overman**, Phoenix, Ariz.

[73] Assignee: **Bell & Howell Company**, Chicago, Ill.

[**] Term: **14 Years**

[21] Appl. No.: **162,469**

[22] Filed: **Jun. 23, 1980**

[51] Int. Cl. **D16-03**

[52] U.S. Cl. **D16/11**

[58] Field of Search **D16/11, 2, 14, 15;**
40/361; 353/27 R, 44, 79

[56] **References Cited**

U.S. PATENT DOCUMENTS

D. 195,908 8/1963 Sigmond D16/2
D. 201,719 7/1965 Haupt D16/11

D. 250,266 11/1978 Overman D16/11
2,258,382 10/1941 Goebel 353/79
2,562,297 7/1951 Cordonnier 353/79
3,377,915 4/1968 Buckett 353/79
3,535,031 10/1970 Spreitzer 353/79 X
4,312,578 1/1982 Wells et al. 353/79

Primary Examiner—Nelson C. Holtje
Attorney, Agent, or Firm—Alan H. Haggard

[57] **CLAIM**

The ornamental design for a microfilm reader, as shown and described.

DESCRIPTION

FIG. 1 is a top and right front perspective view of a microfilm reader showing my new design;
FIG. 2 is a left side elevational view thereof;
FIG. 3 is a top plan view thereof;
FIG. 4 is a front elevational view thereof;
FIG. 5 is a rear elevational view thereof;
FIG. 6 is a bottom plan view thereof.

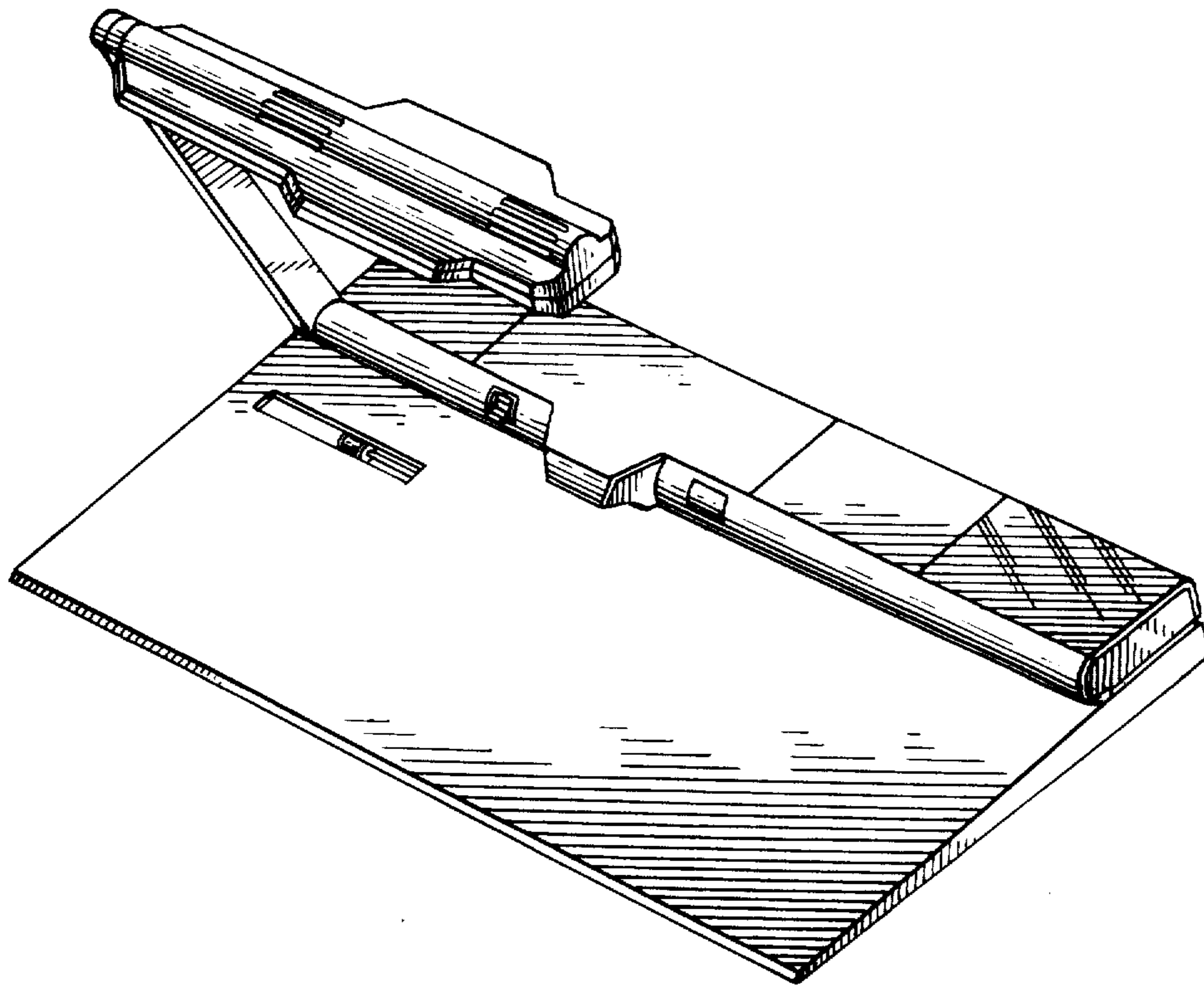


Fig. 1.

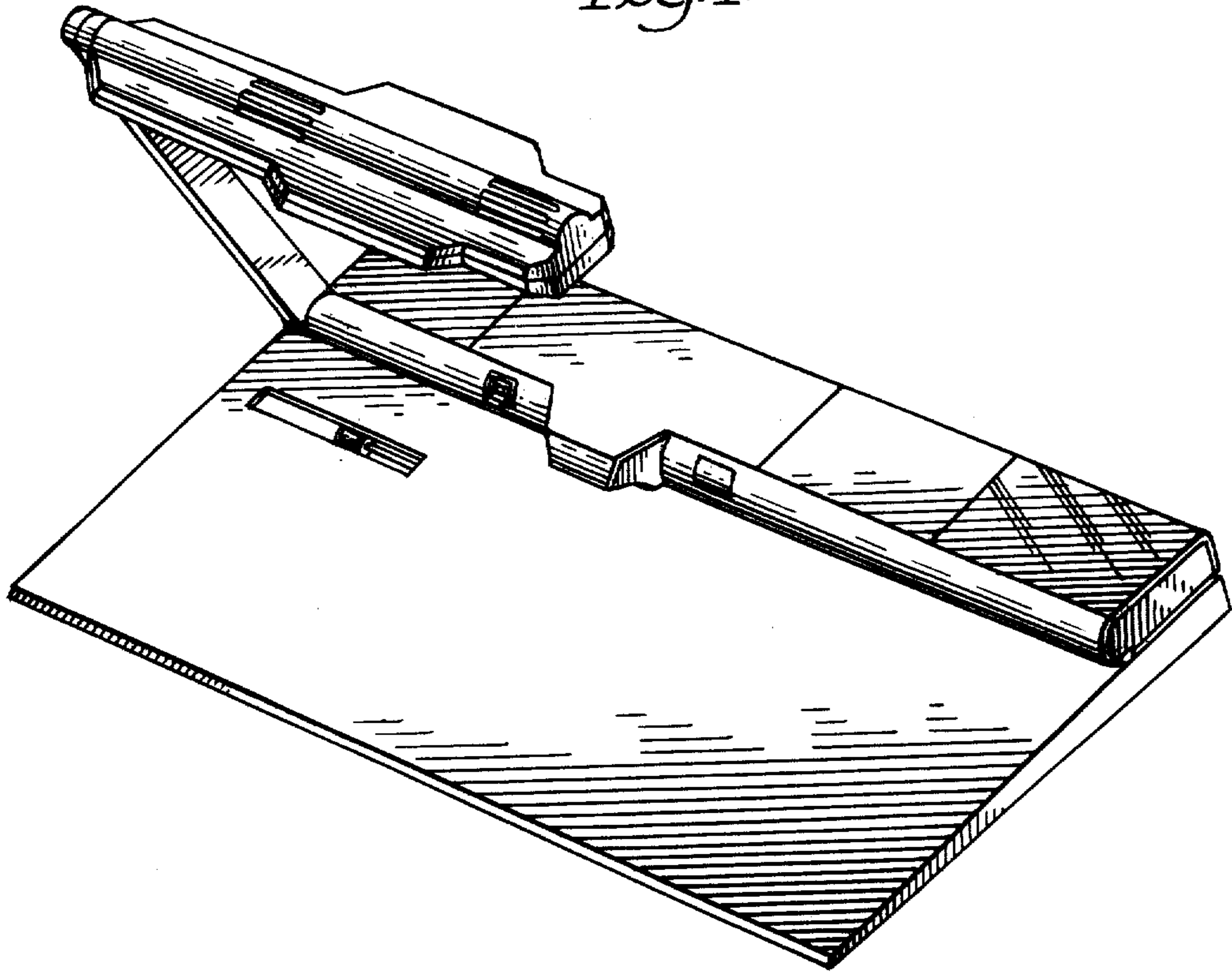


Fig. 2.

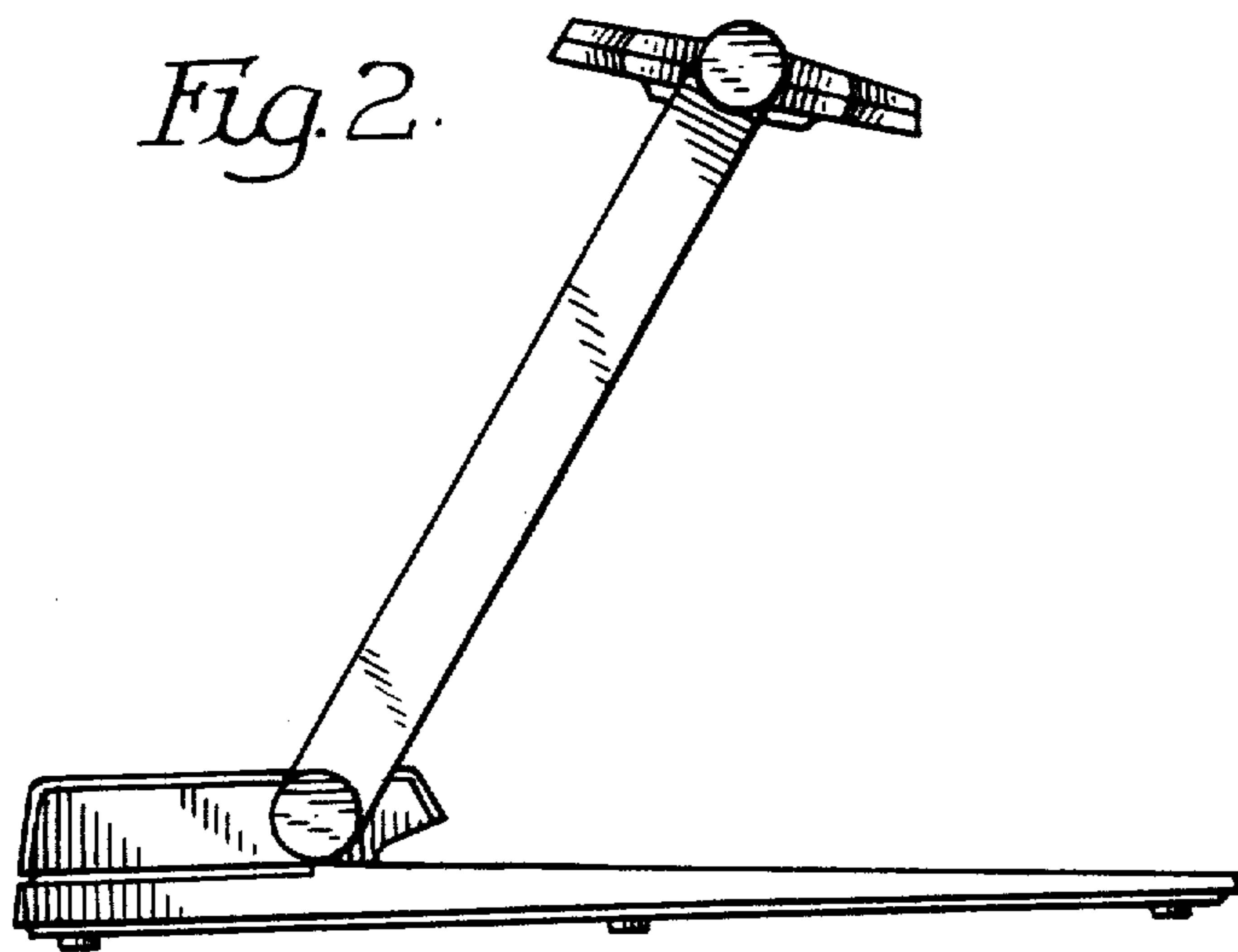


Fig. 3.

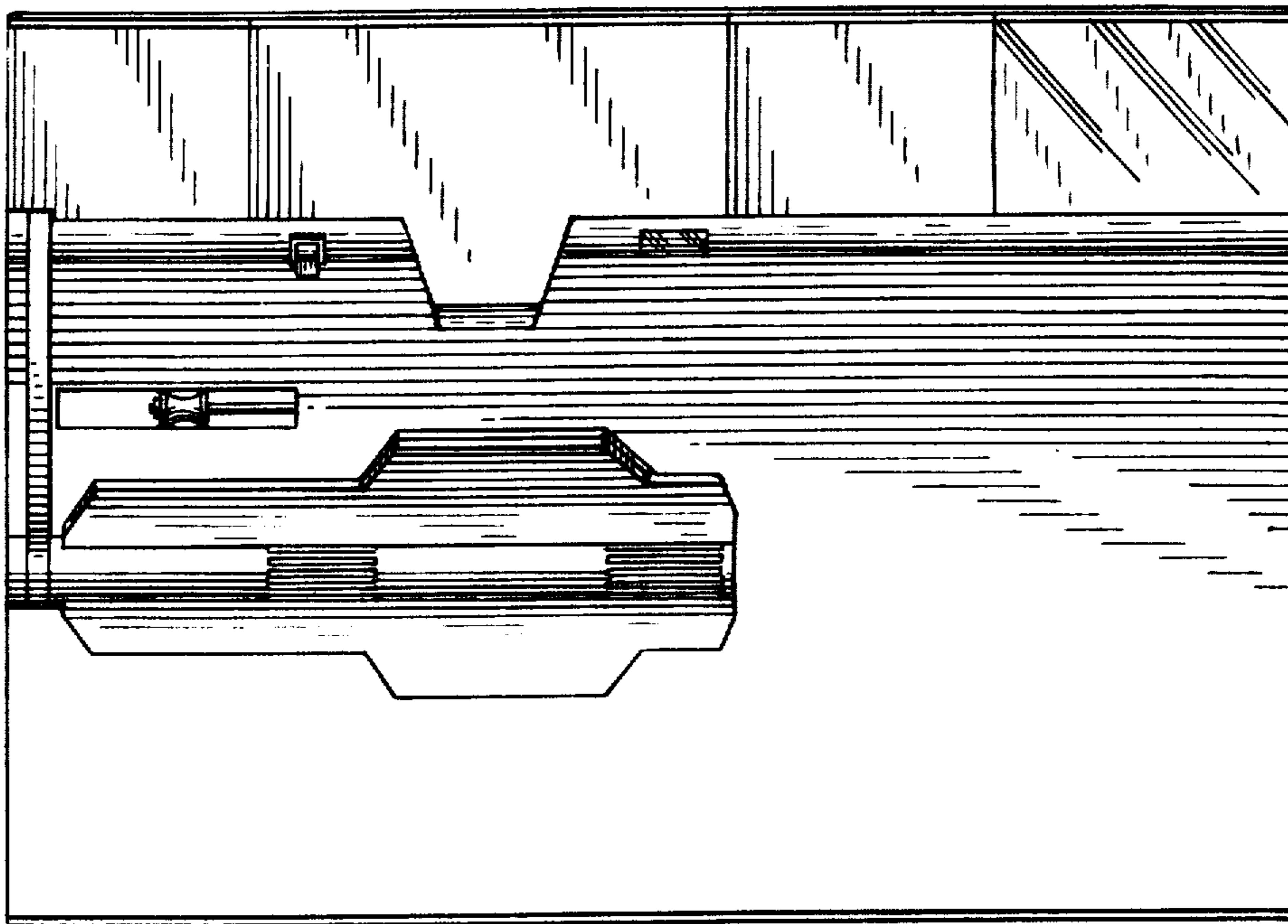


Fig. 4.

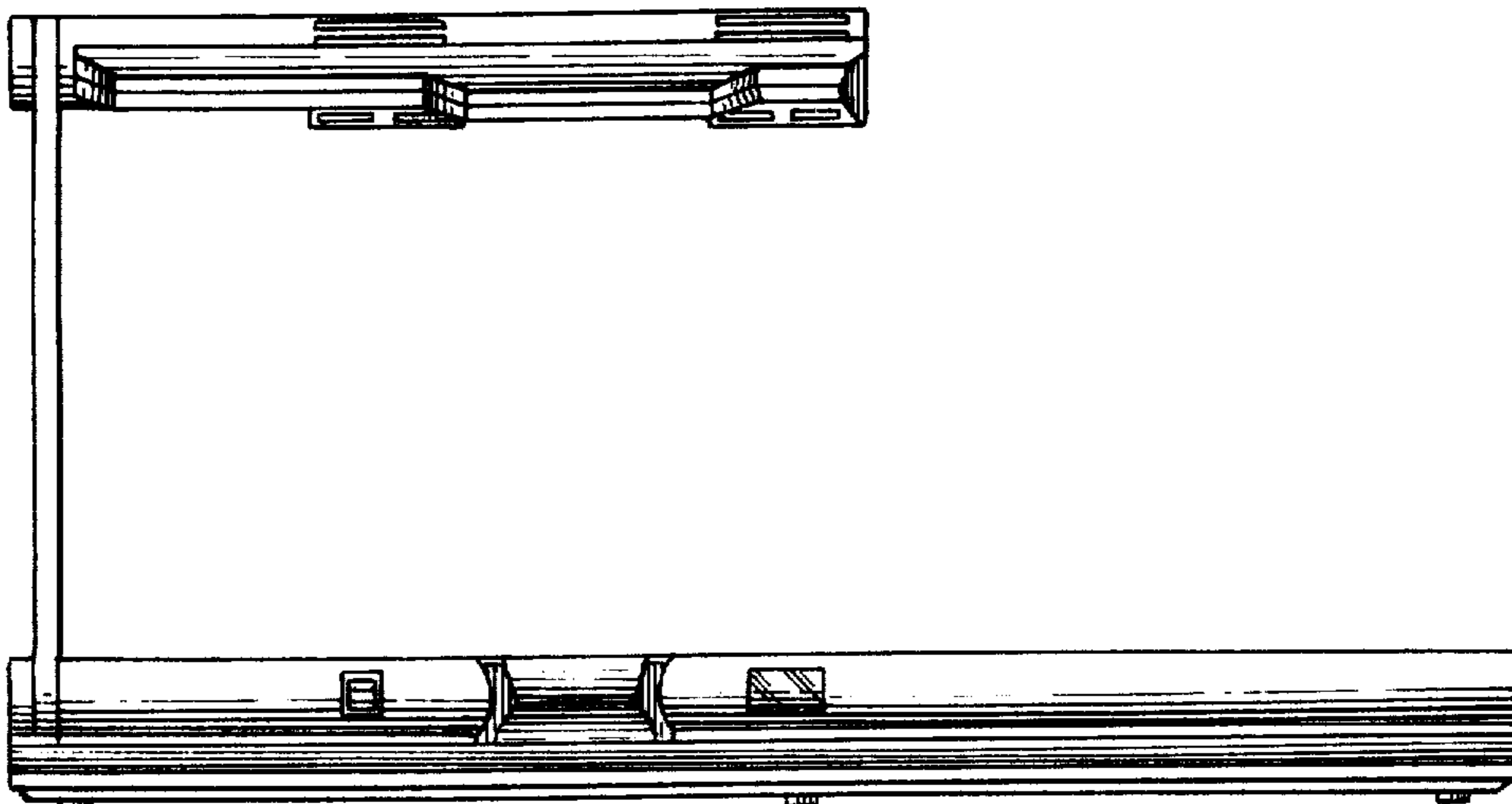


Fig. 5.

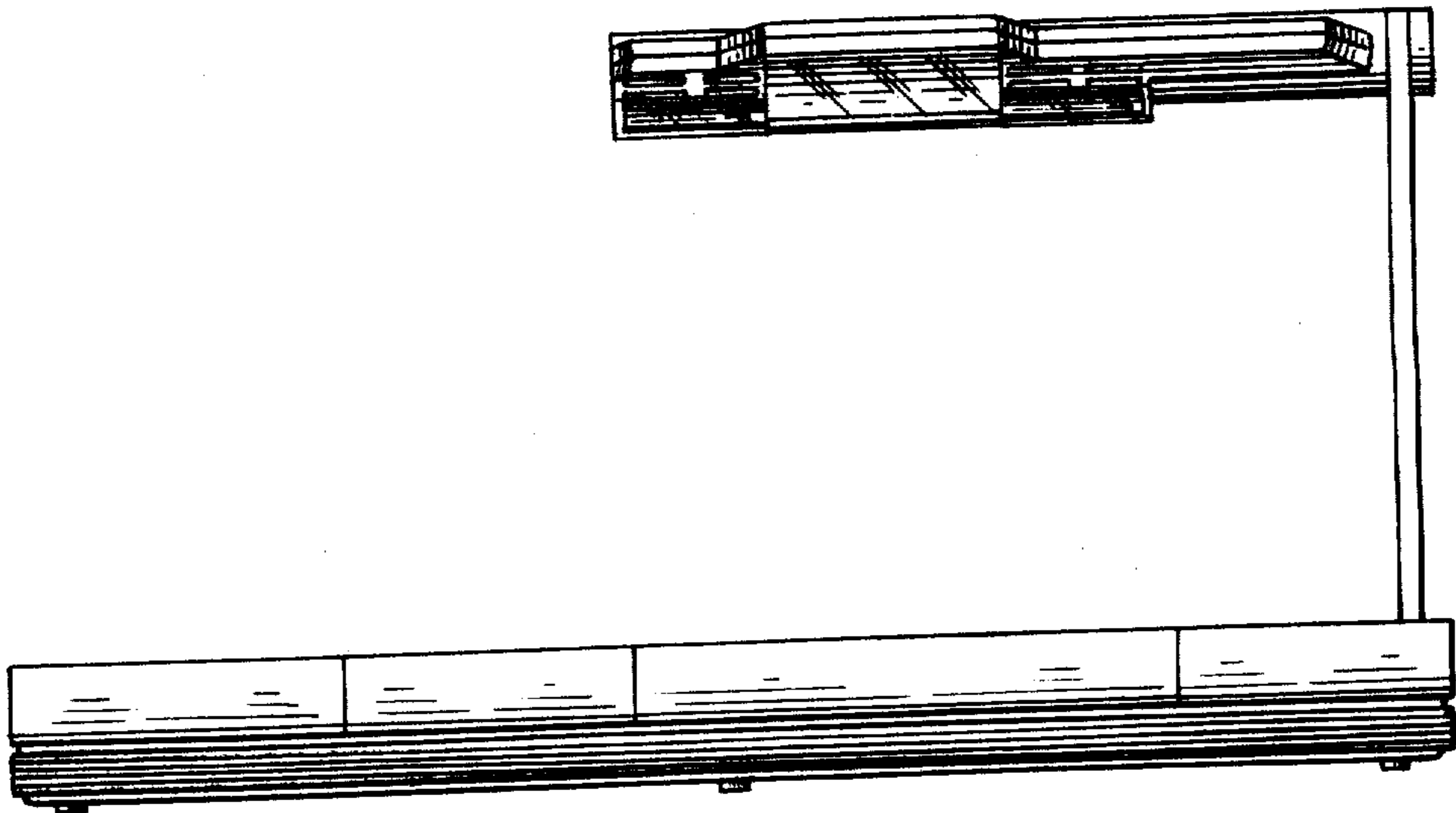


Fig. 6.

