

[54] **SELF-PROPELLED FLAIL BLADE LAWN MOWER**

[76] **Inventor:** Douglas F. Green, 155 Fison Ave., Eagle Farm, Brisbane, Queensland, Australia, 4007

[\*\*] **Term:** 14 Years

[21] **Appl. No.:** 129,095

[22] **Filed:** Mar. 10, 1980

[51] **Int. Cl.** ..... D15-03  
[52] **U.S. Cl.** ..... D15/16  
[58] **Field of Search** ..... D15/16; 56/294, 12.7, 56/17.5

[56] **References Cited**  
**U.S. PATENT DOCUMENTS**

3,604,188 9/1971 Mott ..... 56/294  
3,946,543 3/1976 Templeton ..... 56/17.5

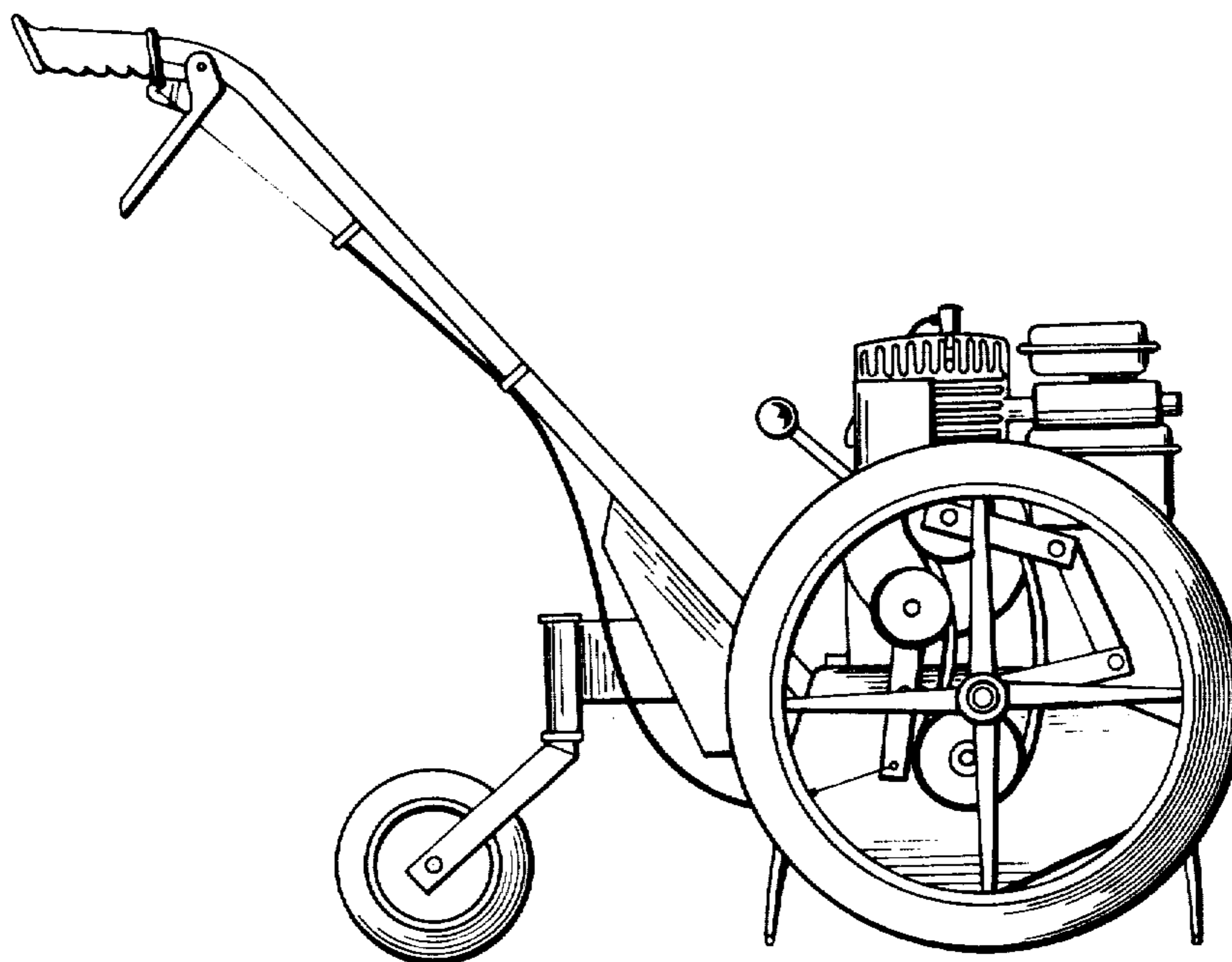
*Primary Examiner*—James M. Gandy  
*Attorney, Agent, or Firm*—Mahoney & Schick

[57] **CLAIM**

The ornamental design for a self-propelled flail blade lawn mower, as shown.

**DESCRIPTION**

FIG. 1 is a top plan view of a self propelled flail blade lawn mower showing my new design;  
FIG. 2 is a bottom plan view thereof;  
FIG. 3 is a right side elevational view thereof;  
FIG. 4 is a left side elevational view thereof;  
FIG. 5 is a front elevational view thereof;  
FIG. 6 is a rear elevational view thereof.



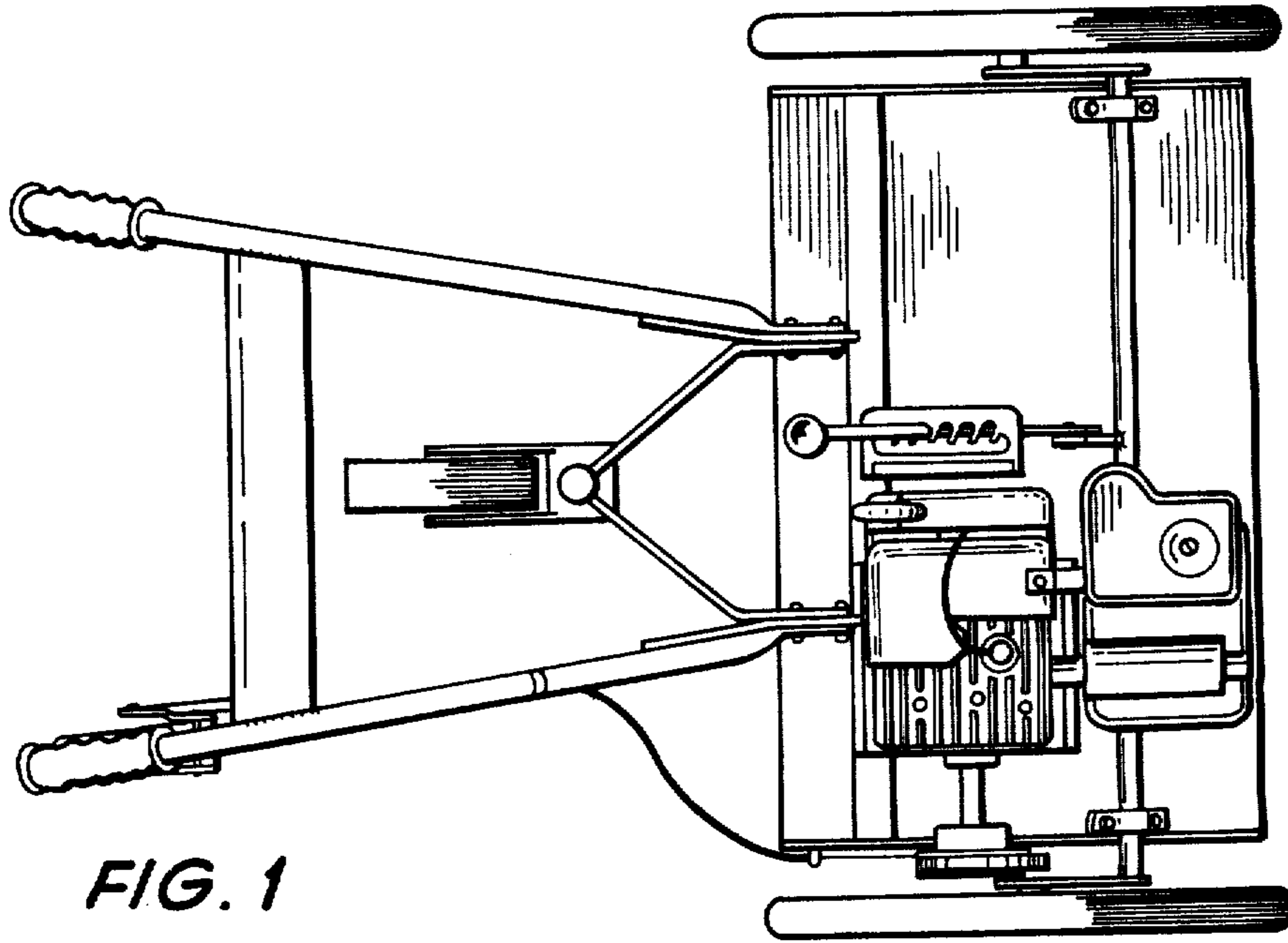


FIG. 1

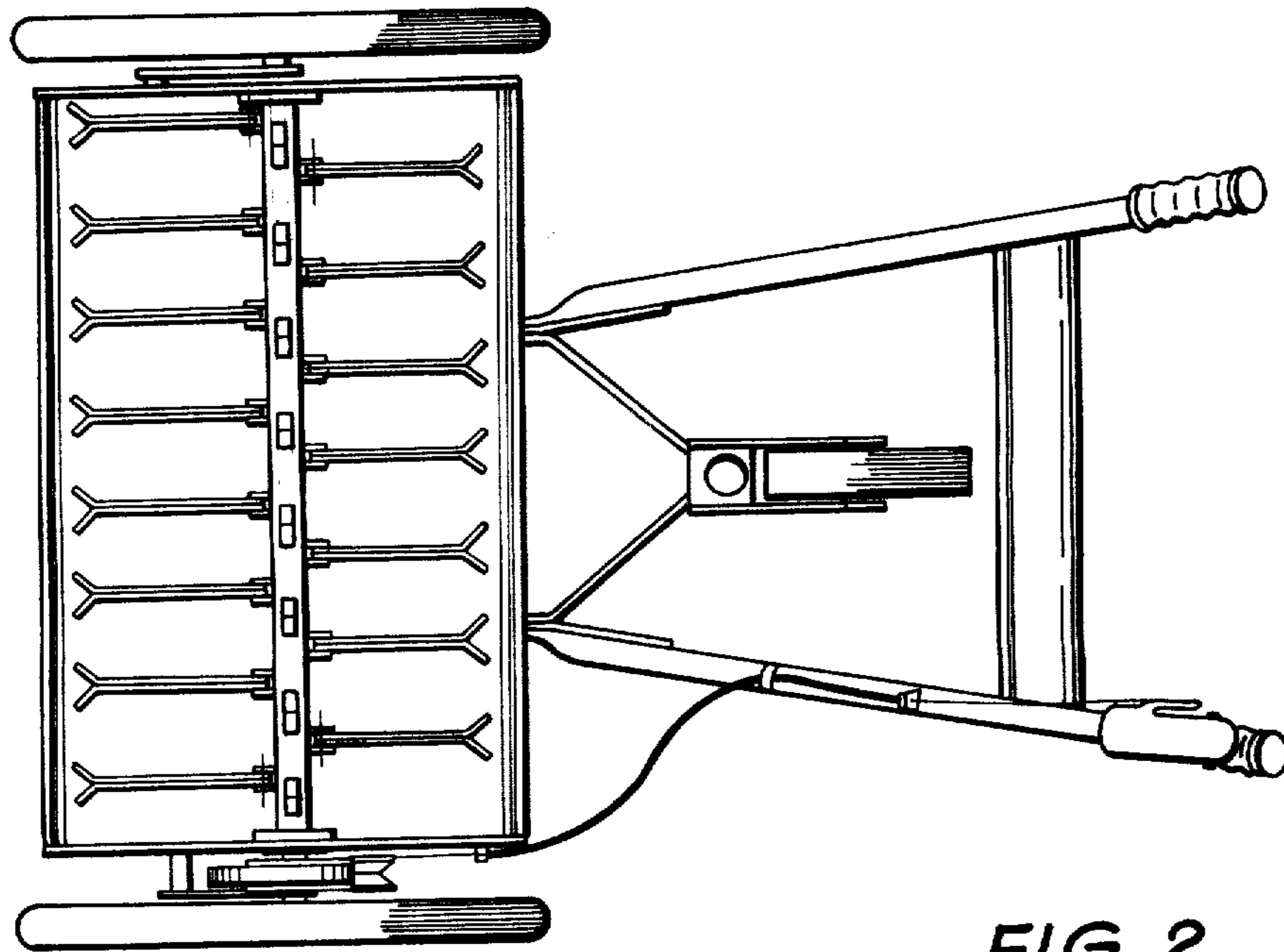
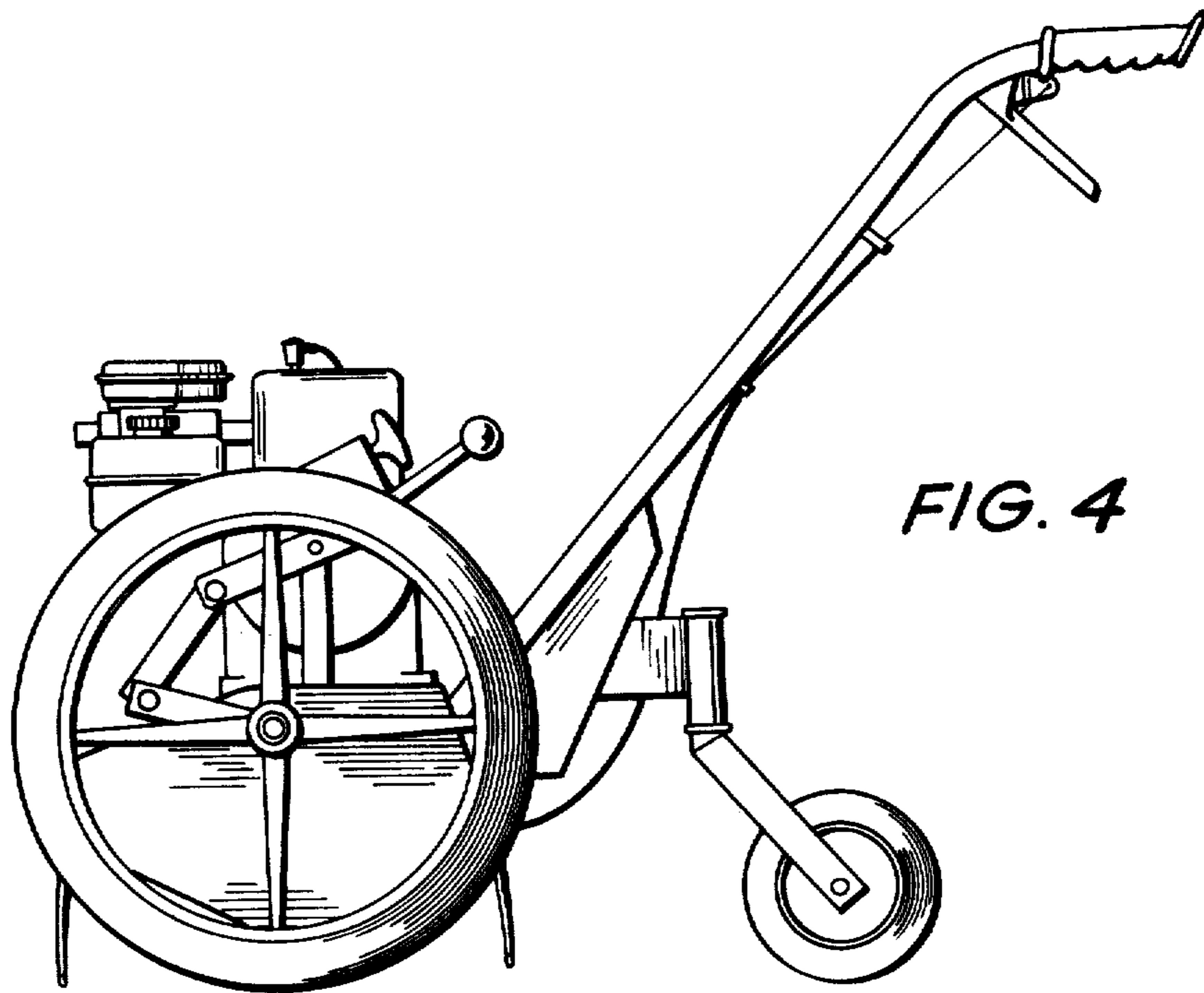
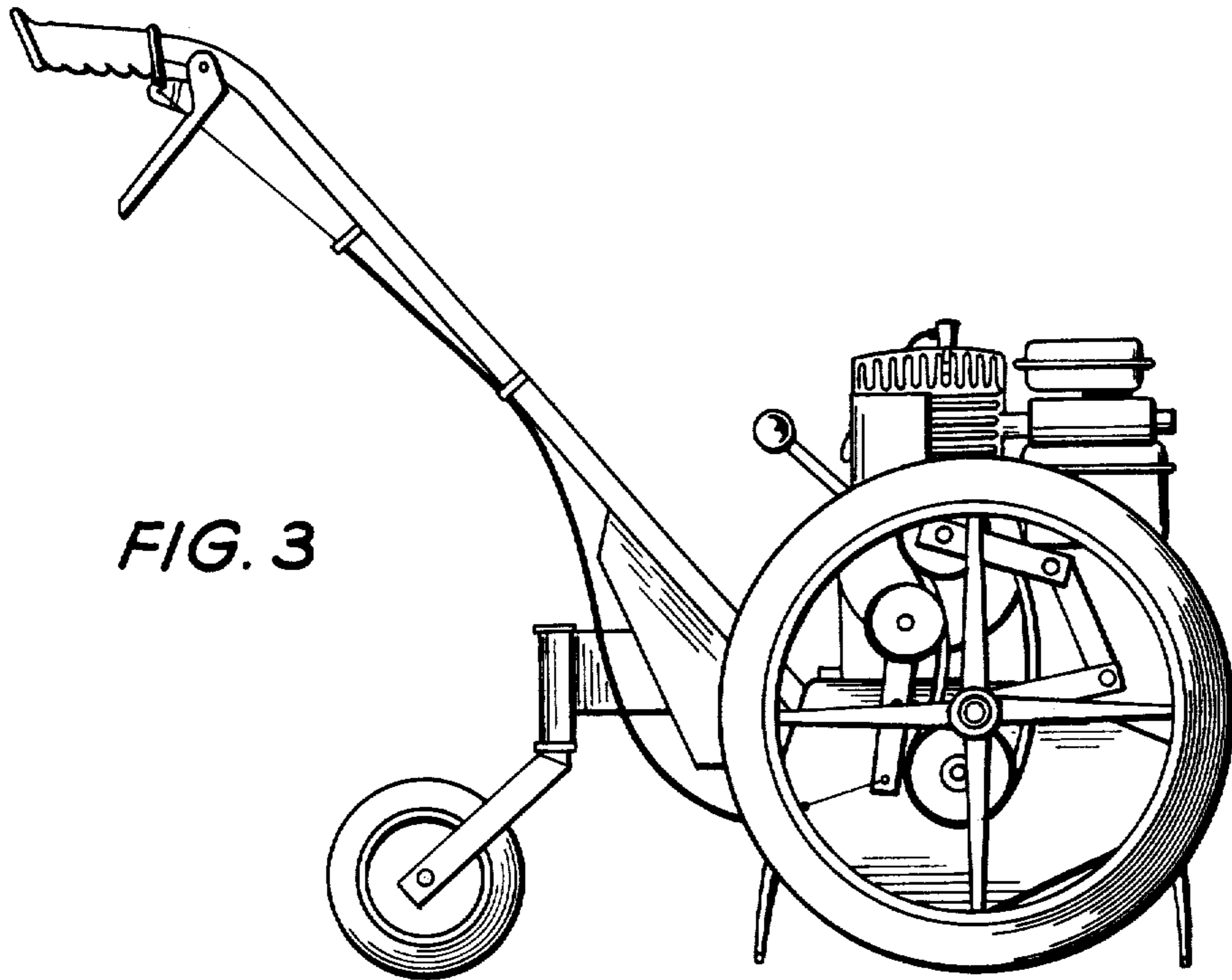


FIG. 2



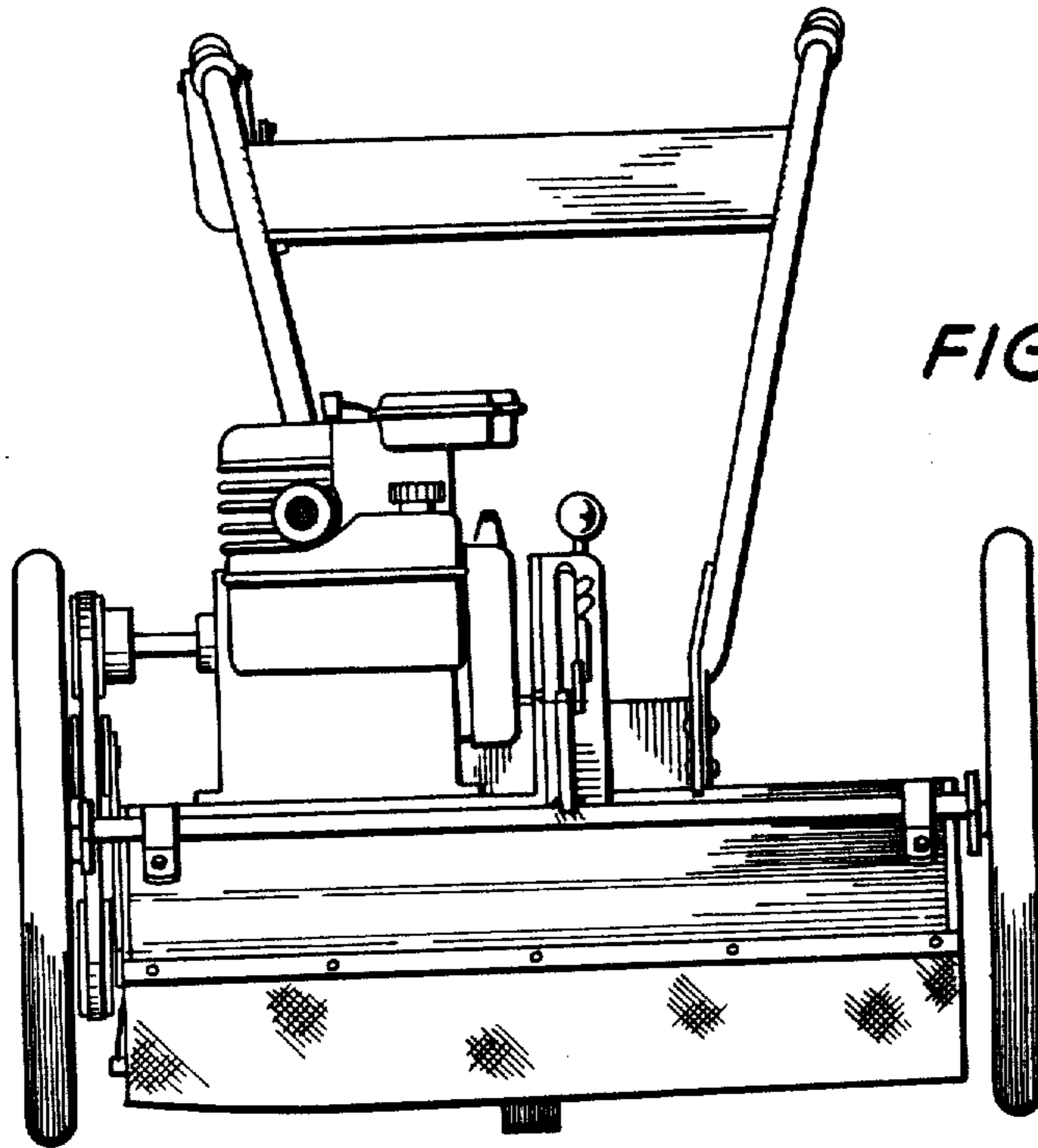


FIG. 5

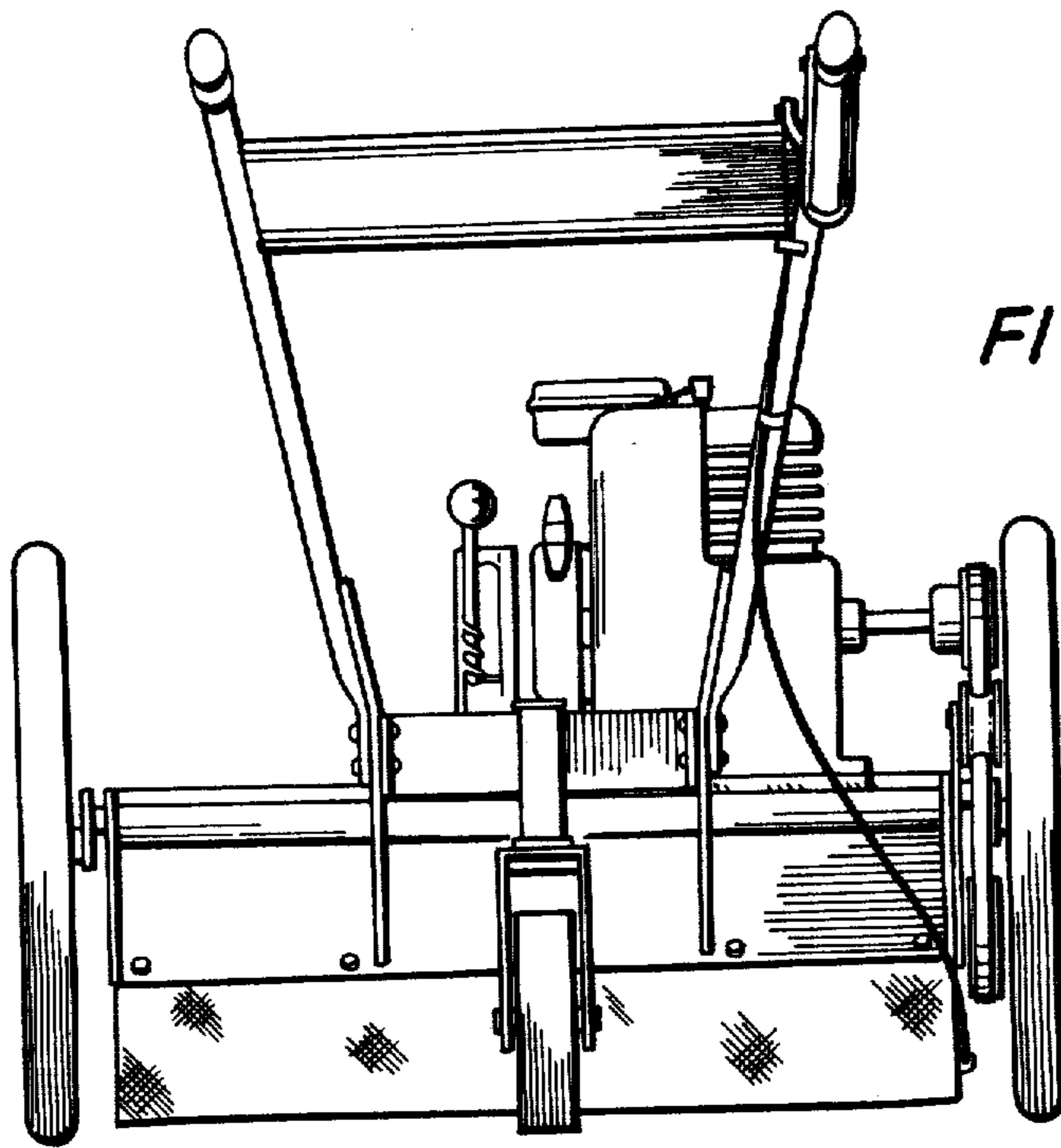


FIG. 6