

[54] FRONT PANEL FOR FLOPPY DISC DRIVE

[75] Inventor: William F. Dresselhaus, Redwood City, Calif.

[73] Assignee: Apple Computer, Inc., Cupertino, Calif.

[**] Term: 14 Years

[21] Appl. No.: 161,274

[22] Filed: Jun. 20, 1980

[51] Int. Cl. D14-02

[52] U.S. Cl. D14/115; D14/109

[58] Field of Search D14/105, 107, 108, 109, D14/114, 115, 100, 102, 106; 360/97, 98, 99, 102, 133

[56] References Cited

U.S. PATENT DOCUMENTS

D. 249,343 9/1978 Ronzani D14/115

OTHER PUBLICATIONS

Computer Design, 7/78, p. 145, Persci Diskette Drive.
Computer Design, 12/78, p. 11, Data Systems, Floppy Disk System, DSD110 MOD.

General Electric Co., Terminet® DST Brochure, 5/78, Diskette Storage Terminal.

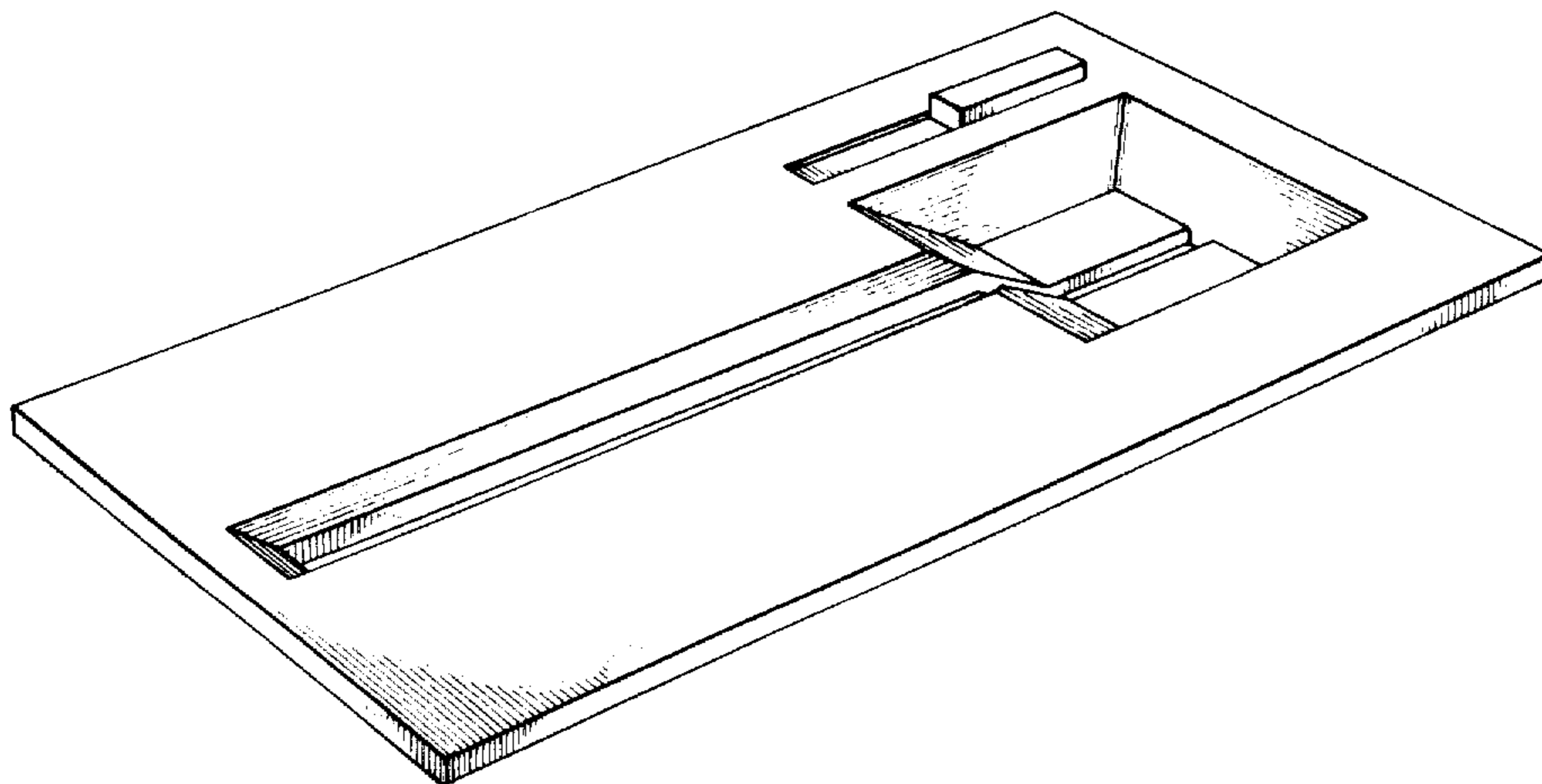
Primary Examiner—Susan J. Lucas
Attorney, Agent, or Firm—Blakeley, Sokoloff, Taylor & Zafman

[57] CLAIM

The ornamental design for a front panel for floppy disc drive, as shown and described.

DESCRIPTION

FIG. 1 is a perspective view of the front panel for a floppy disc drive showing my new design.
FIG. 2 is a front elevational view thereof;
FIG. 3 is a bottom view thereof;
FIG. 4 is a rear elevational view thereof;
FIG. 5 is a top view thereof;
FIG. 6 is a left side view thereof; and,
FIG. 7 is a right side view thereof;
FIG. 8 is a perspective view of an alternate embodiment of the front panel of FIGS. 1 through 7;
FIG. 9 is a front elevational view thereof;
FIG. 10 is a bottom view thereof;
FIG. 11 is a rear elevational view thereof;
FIG. 12 is a top view thereof;
FIG. 13 is a left side view thereof; and,
FIG. 14 is a right side view thereof.



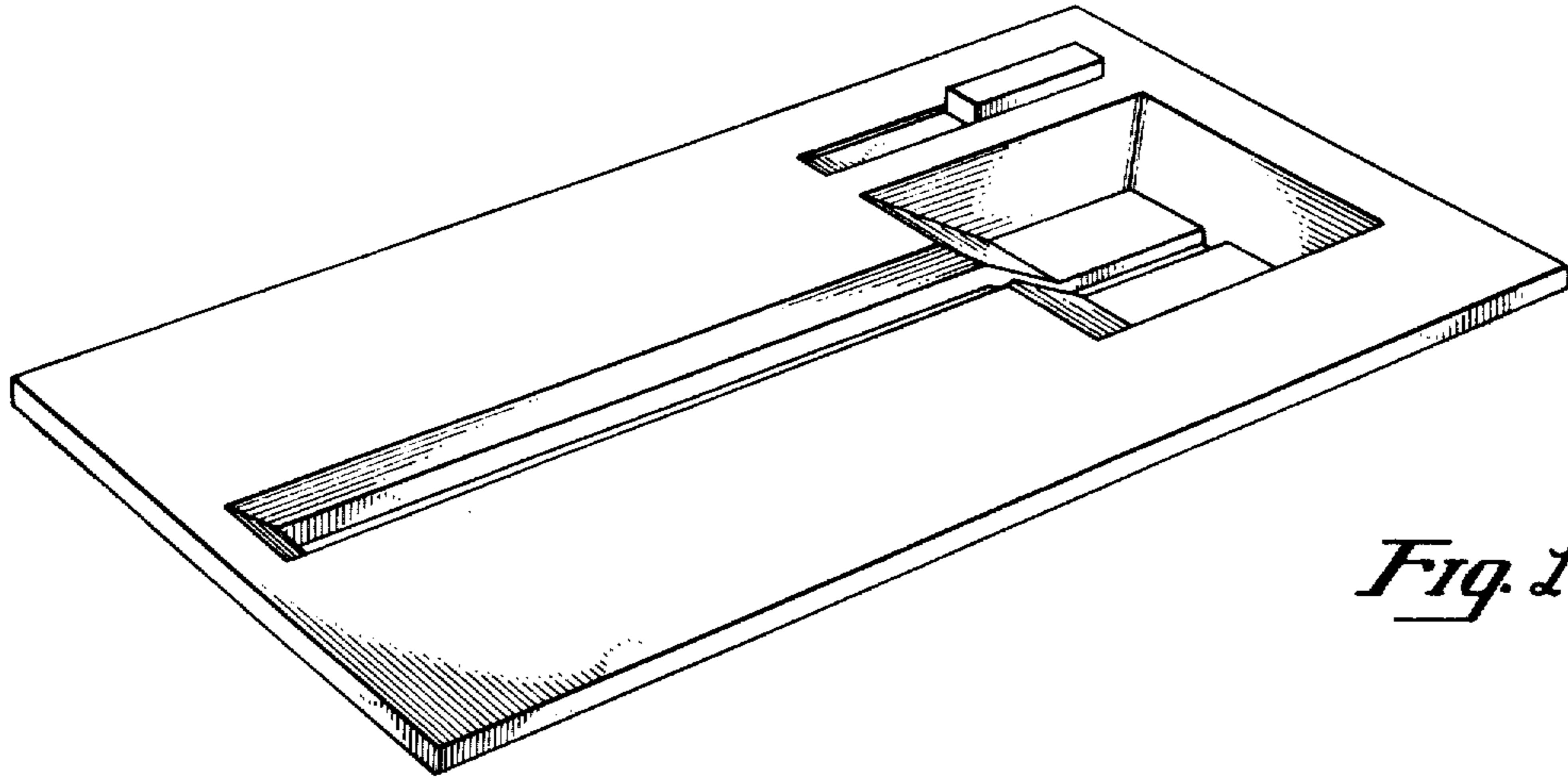


Fig. 1

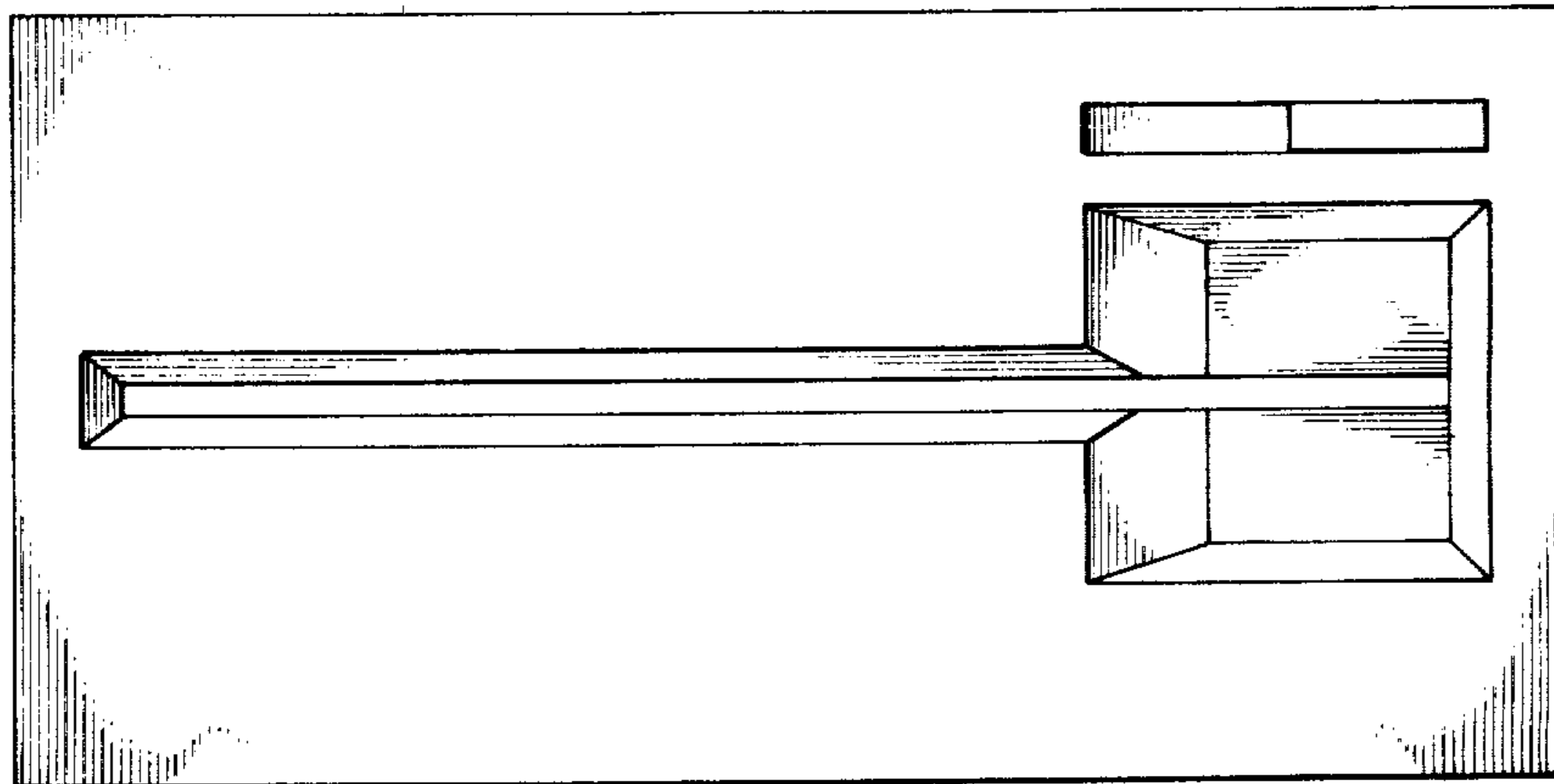


Fig. 2

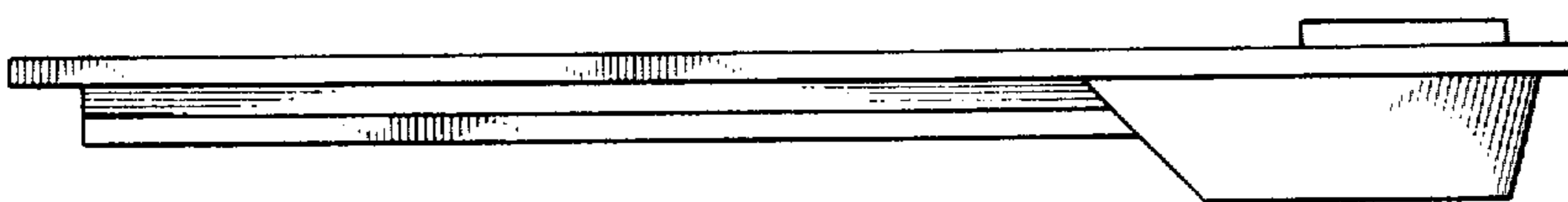


Fig. 3

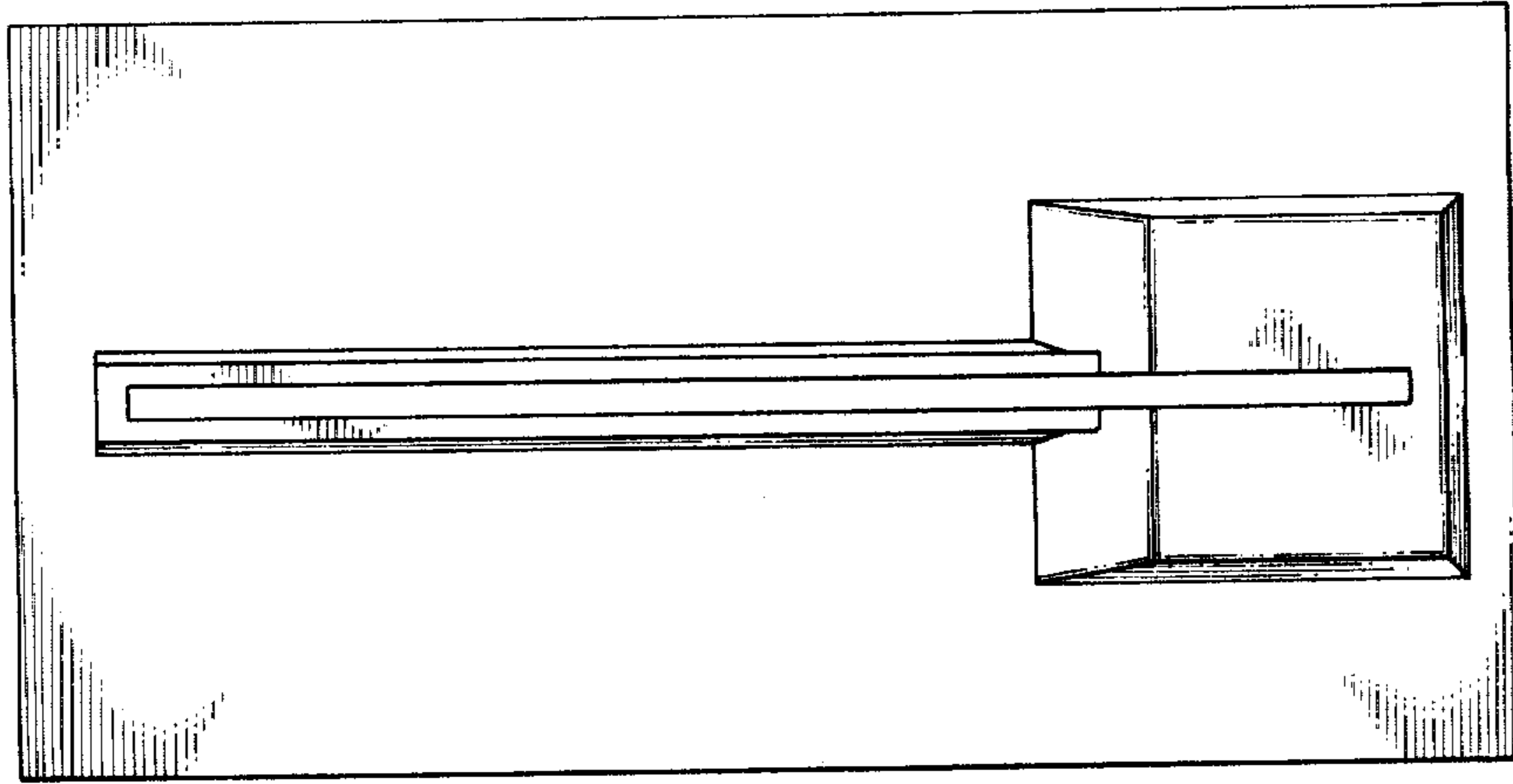


Fig. 4

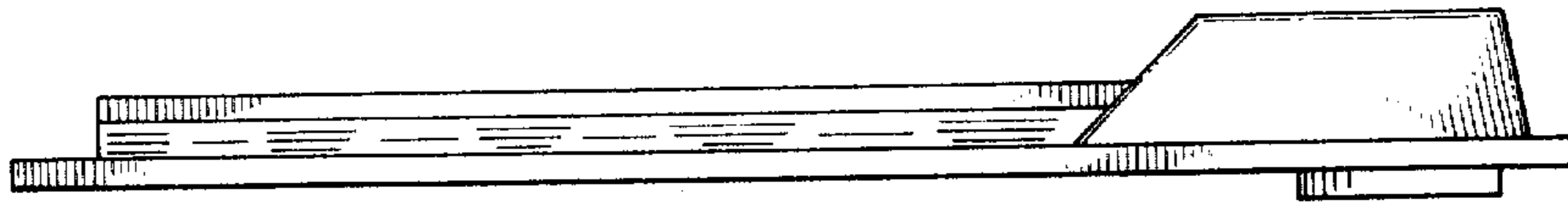


Fig. 5

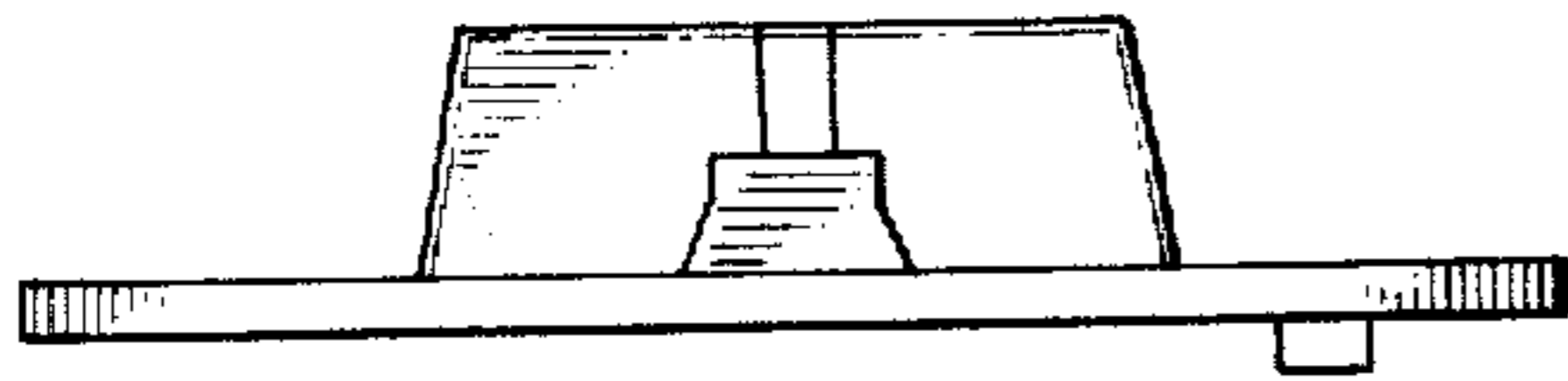


Fig. 6

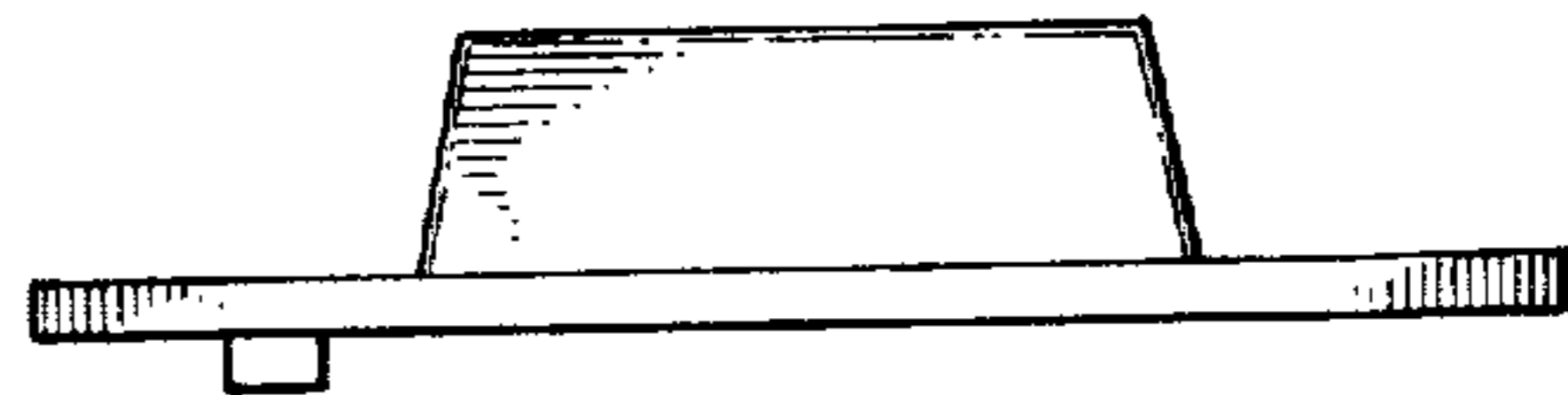


Fig. 7

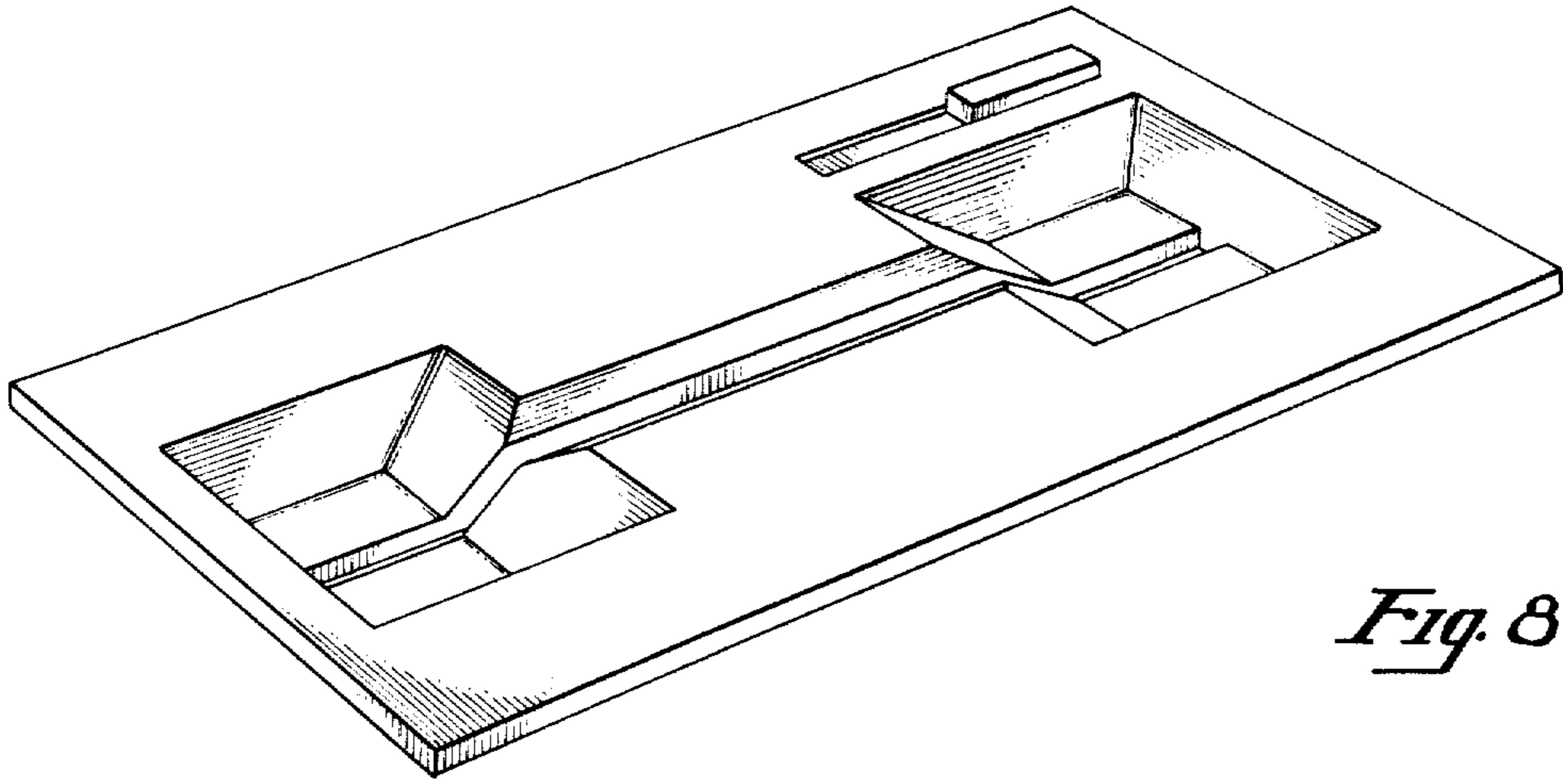


Fig. 8

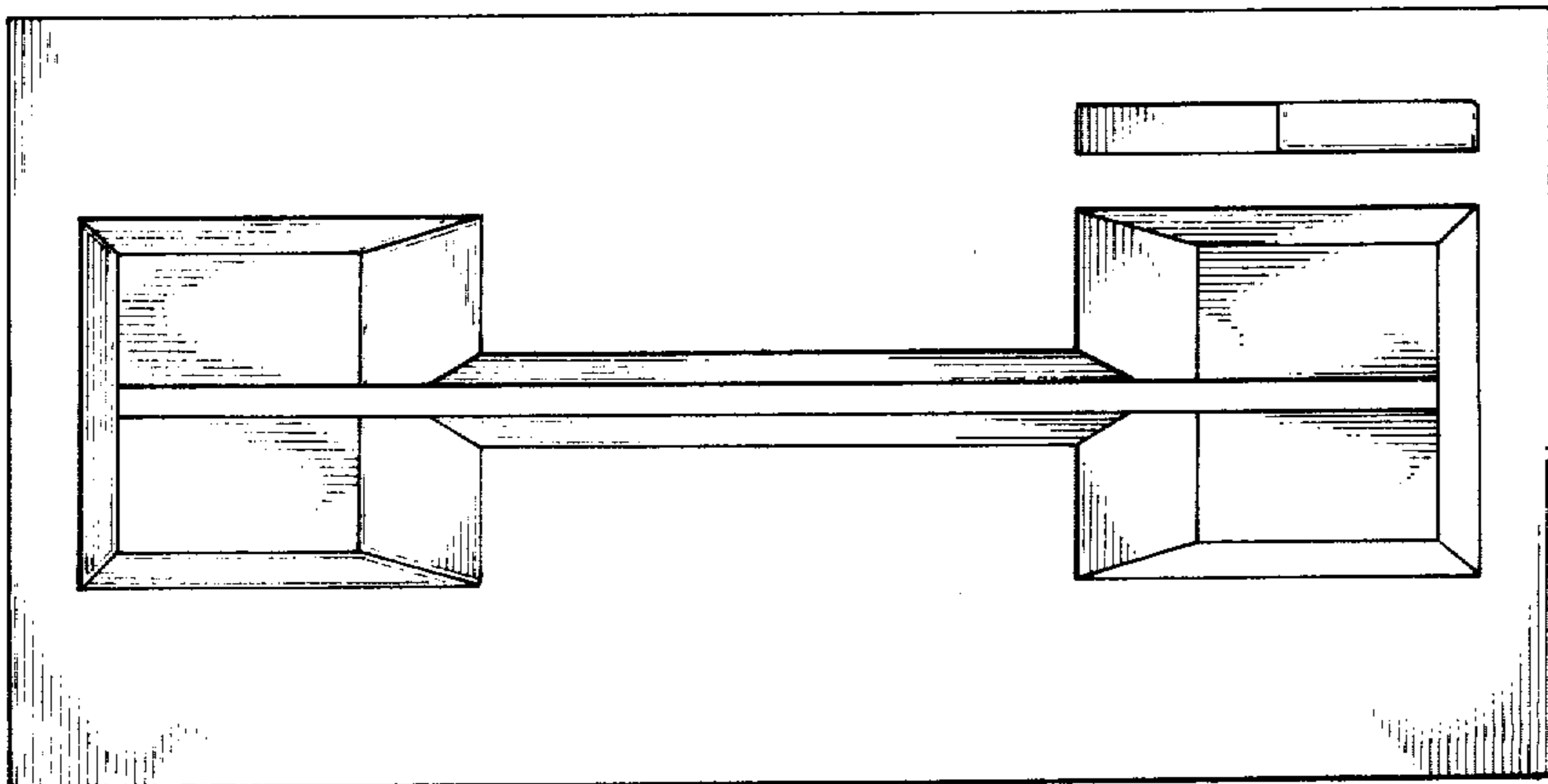


Fig. 9

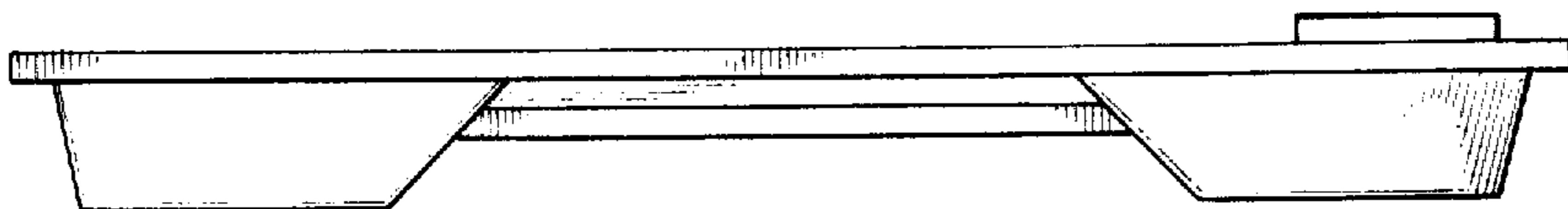


Fig. 10

Fig. 11

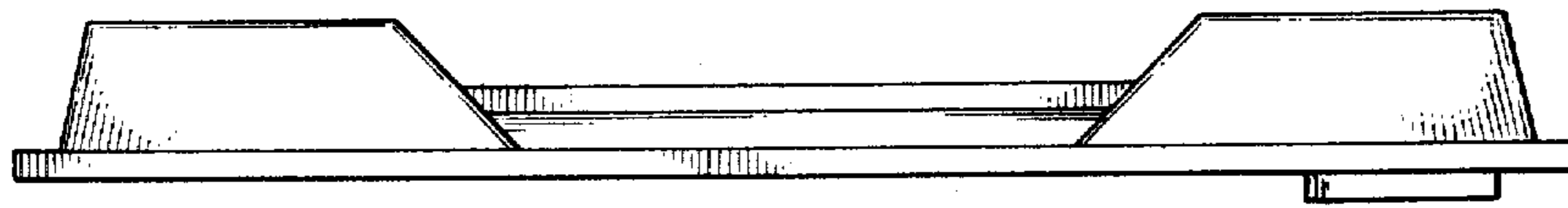
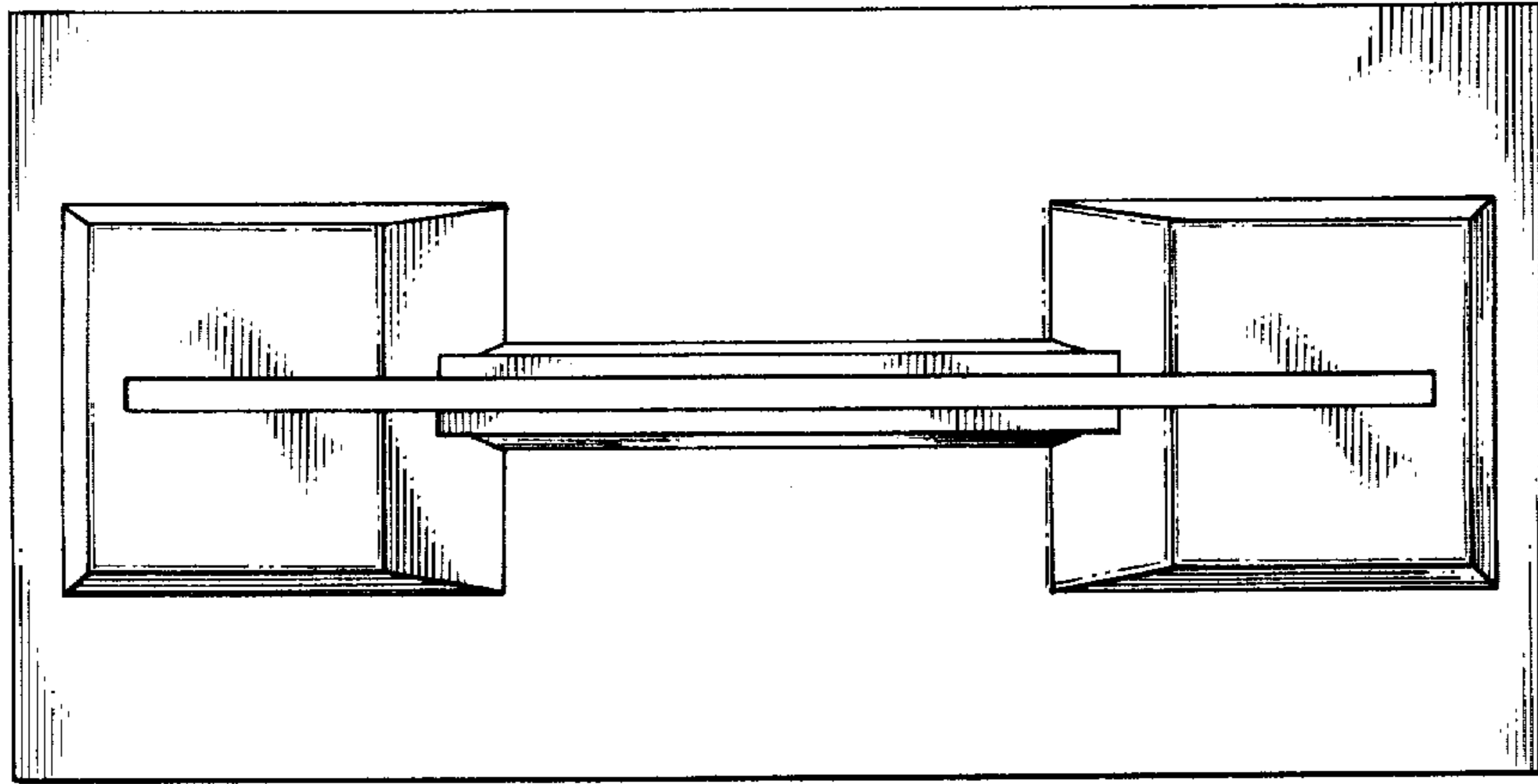


Fig. 12

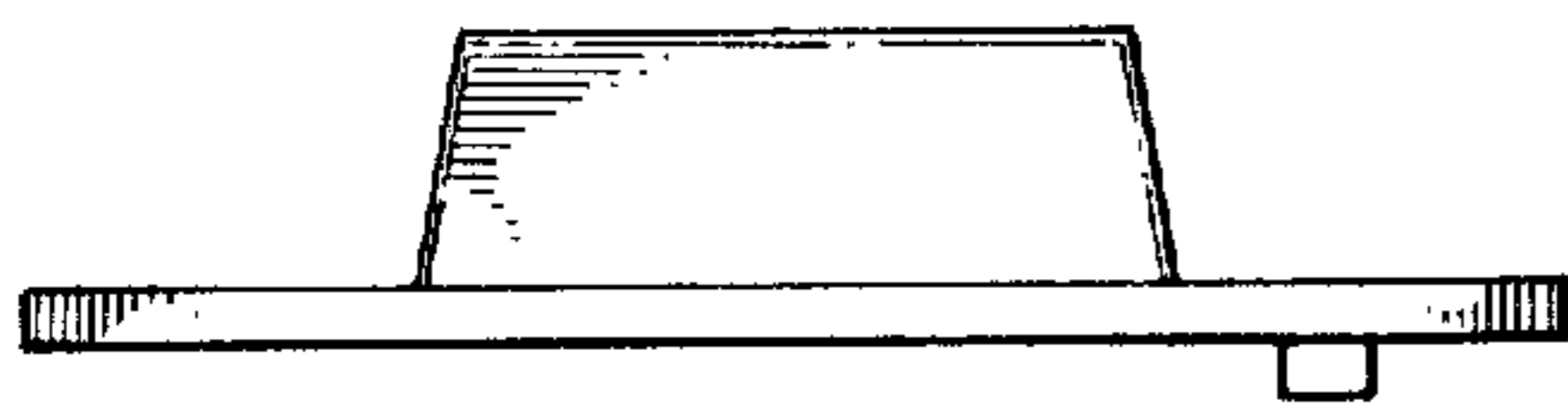


Fig. 13

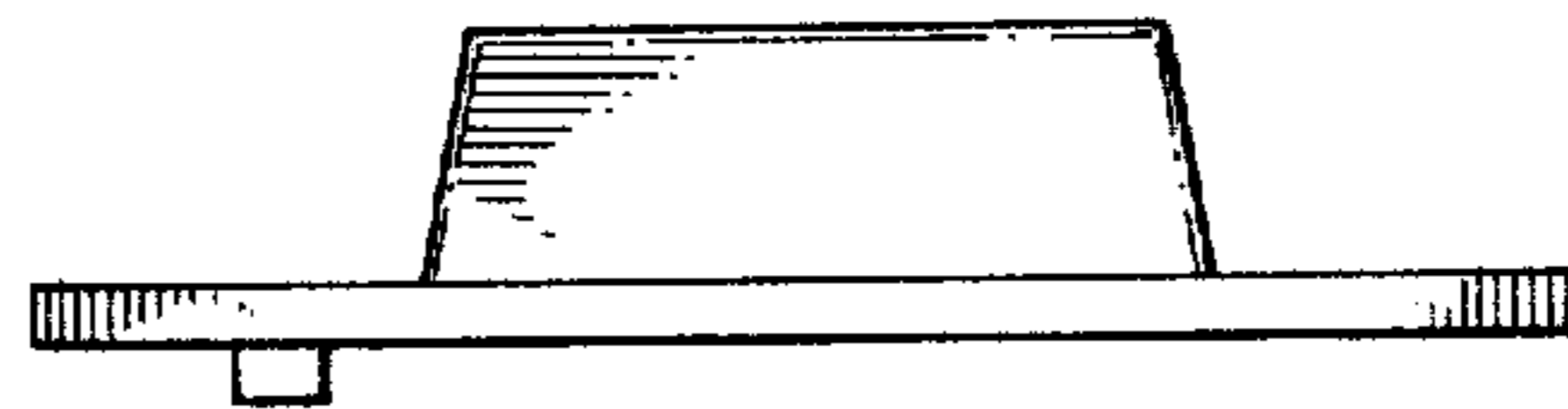


Fig. 14