

[54] COMPUTER CABINET WORK SURFACE

3,380,701 4/1968 Byars 248/459
3,847,461 11/1974 Moeckl 312/223 X
4,105,182 8/1978 Jacobson 248/459

[75] Inventor: Richard W. Reaume, Farmington Hills, Mich.

Primary Examiner—Susan J. Lucas
Attorney, Agent, or Firm—Edmund M. Chung; Charles E. Quarton; Kenneth J. Cooper

[73] Assignee: Burroughs Corporation, Detroit, Mich.

[57] CLAIM

[**] Term: 14 Years

The ornamental design for a computer cabinet work surface, as shown and described.

[21] Appl. No.: 108,836

DESCRIPTION

[22] Filed: Dec. 31, 1979

[51] Int. Cl. D14—02

[52] U.S. Cl. D14/114

[58] Field of Search D14/40, 41, 42, 43, D14/44, 45; D19/91, 92; 312/223, 281; 108/32; 248/174, 166, 442.2, 459, 461; D6/156, 184, 199

FIG. 1 is a perspective view of a computer cabinet work surface showing my new design, the lid being in the opened position;

FIG. 2 is a perspective view thereof with the lid in the closed position;

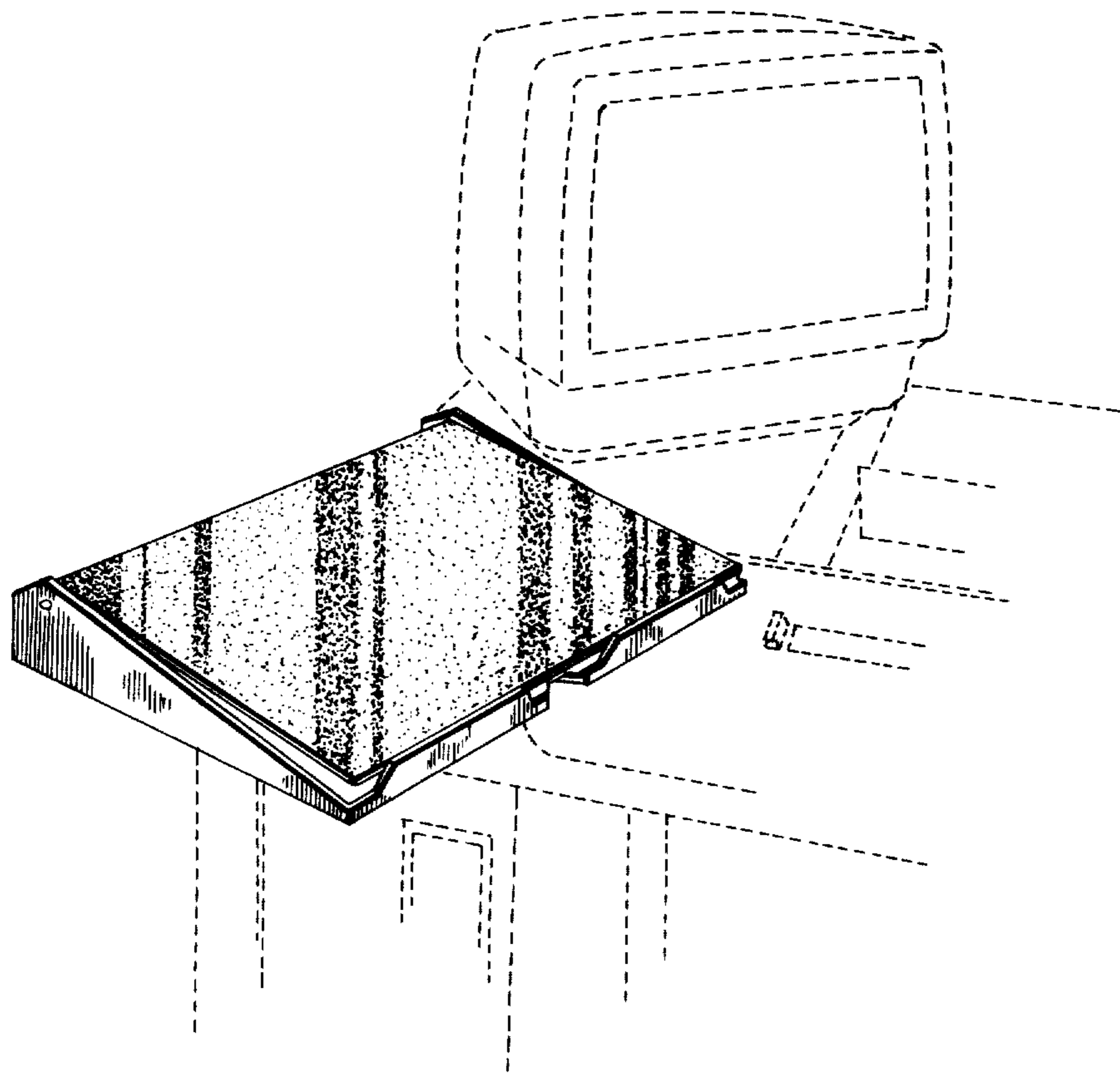
FIG. 3 is a rear perspective view thereof with the lid in the closed position.

The work surface is shaded to indicate contrast. The computer cabinet is shown in broken lines for illustrative purposes only.

[56] References Cited

U.S. PATENT DOCUMENTS

3,153,400 10/1964 Mendels D6/184 X



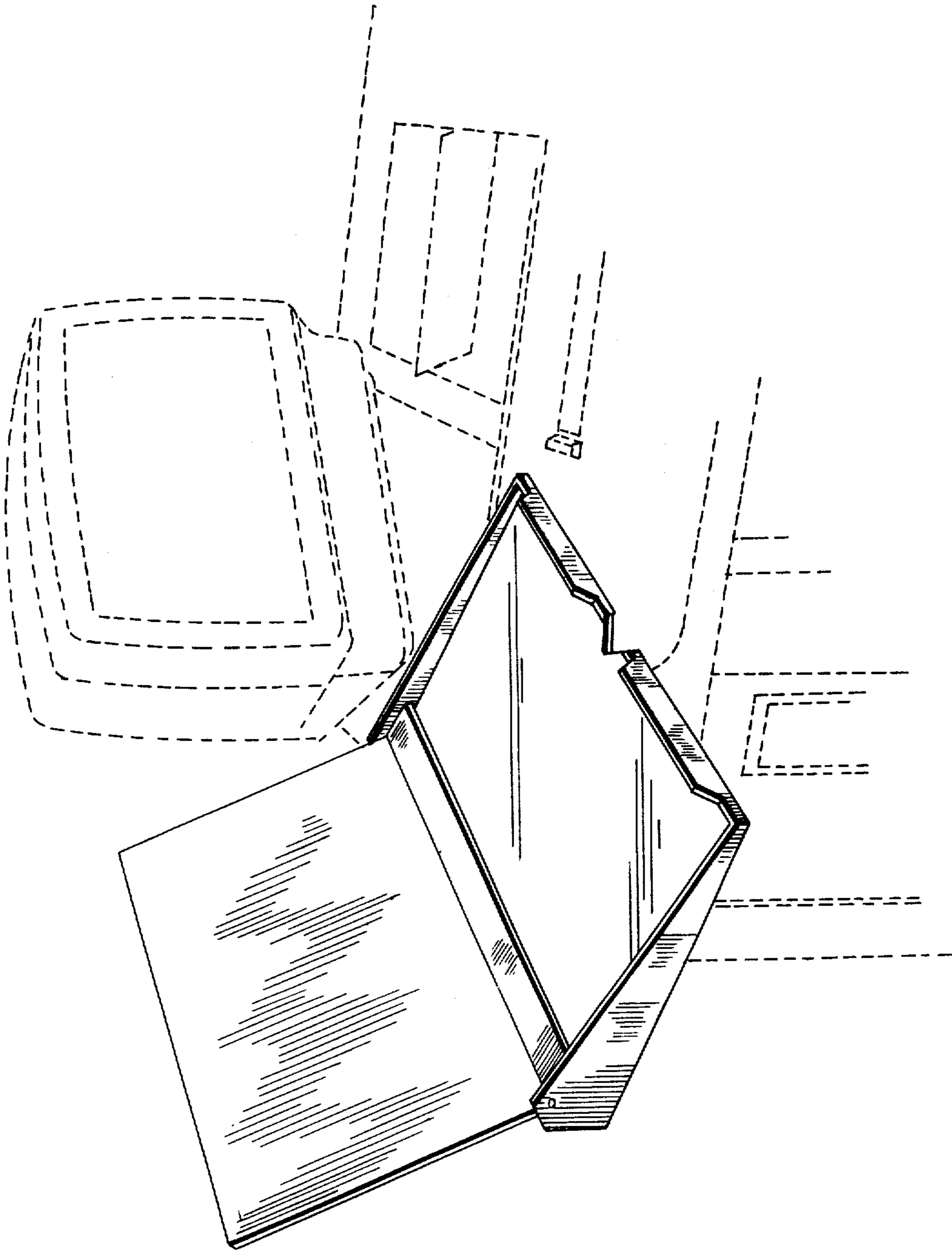


FIG.1.

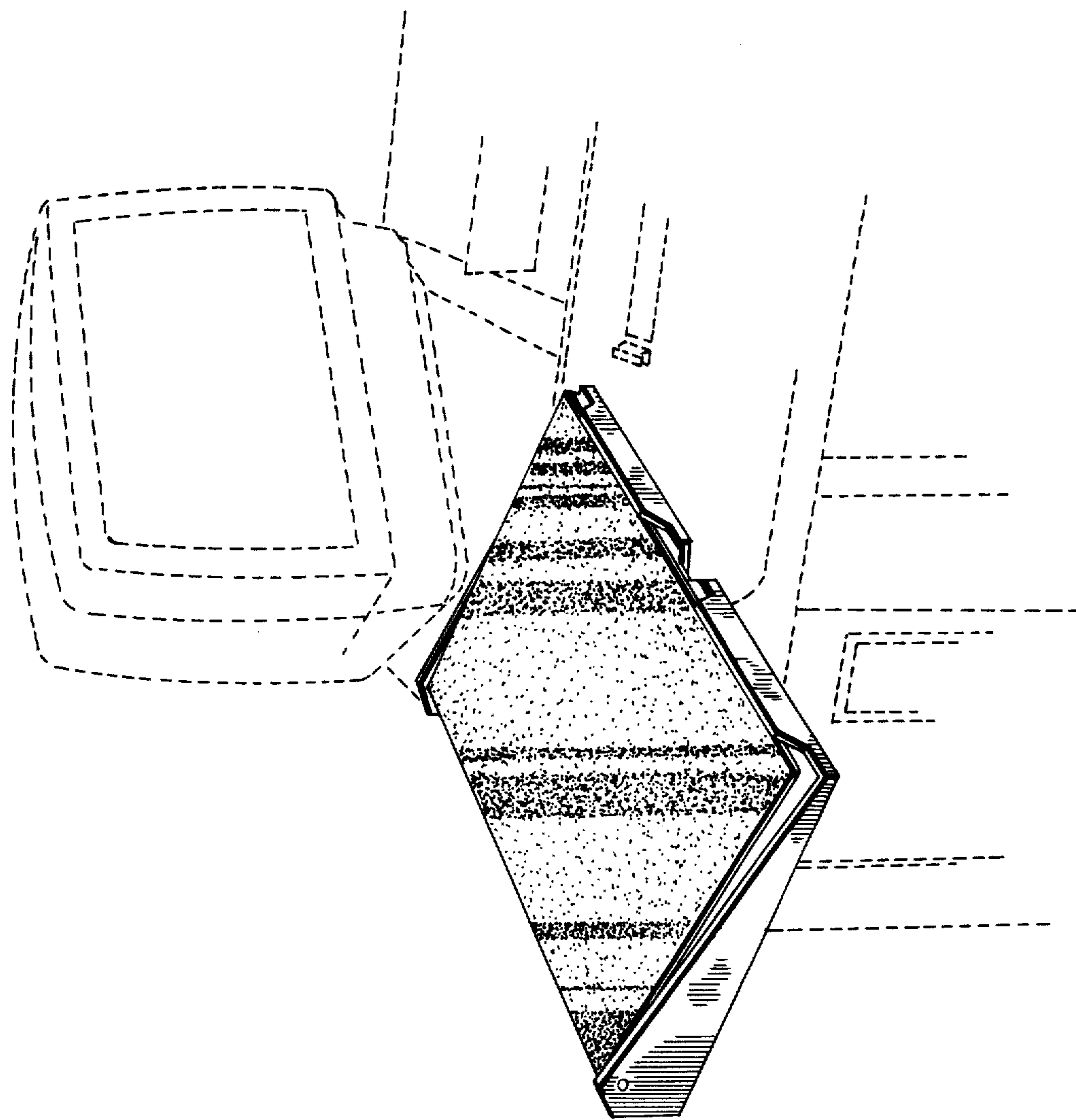


FIG. 2.

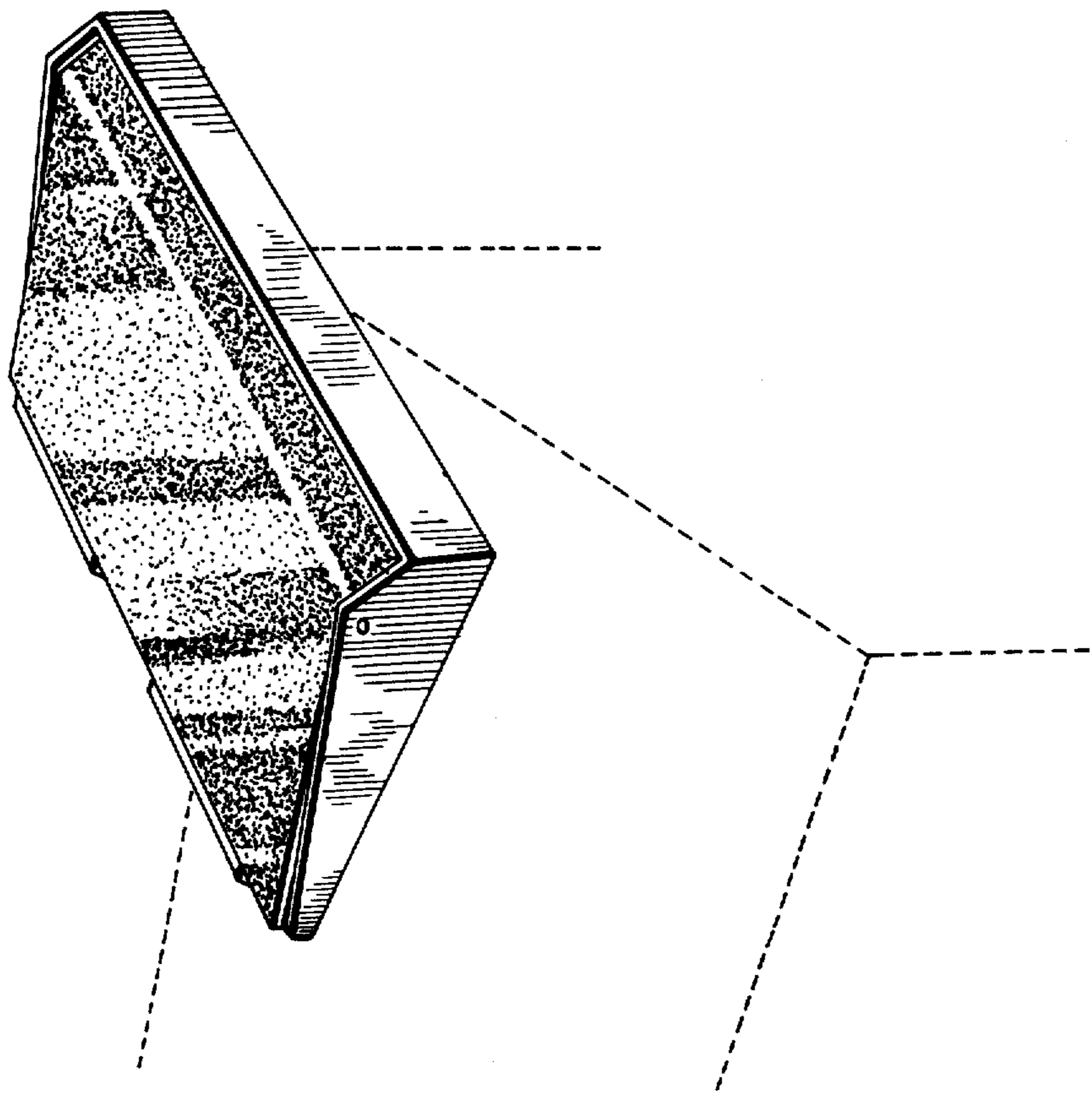


FIG. 3.