

[54] **ELECTRONIC PRINTER**

[75] **Inventor:** Shunichi Nagaya, Suwa, Japan
[73] **Assignees:** Kabushiki Kaisha Suwa Seikosha;
Shinshu Seiki Kabushiki Kaisha, both
of Nagano, Japan

[**] **Term:** 14 Years

[21] **Appl. No.:** 174,062

[22] **Filed:** Jul. 31, 1980

[30] **Foreign Application Priority Data**
Feb. 1, 1980 [JP] Japan 55-3137

[51] **Int. Cl.** D14—02; D18—02
[52] **U.S. Cl.** D14/111; D18/13
[58] **Field of Search** D14/100, 107, 111;
D18/13; 364/900

[56] **References Cited**

U.S. PATENT DOCUMENTS

D. 236,835 9/1975 Kramer et al. D14/111
D. 249,347 9/1978 Zierhut D14/111

Primary Examiner—Susan J. Lucas
Attorney, Agent, or Firm—Blum, Kaplan, Friedman,
Silberman & Beran

[57] **CLAIM**

The ornamental design for an electronic printer, as shown and described.

DESCRIPTION

FIG. 1 is a front perspective view of an electronic printer in accordance with my new design;
FIG. 2 is a right side view thereof on an enlarged scale;
FIG. 3 is a left side view thereof on an enlarged scale;
FIG. 4 is a top plan view thereof on an enlarged scale;
FIG. 5 is a front elevational view thereof on an enlarged scale;
FIG. 6 is a rear elevational view thereof on an enlarged scale; and
FIG. 7 is a bottom plan view thereof on an enlarged scale.

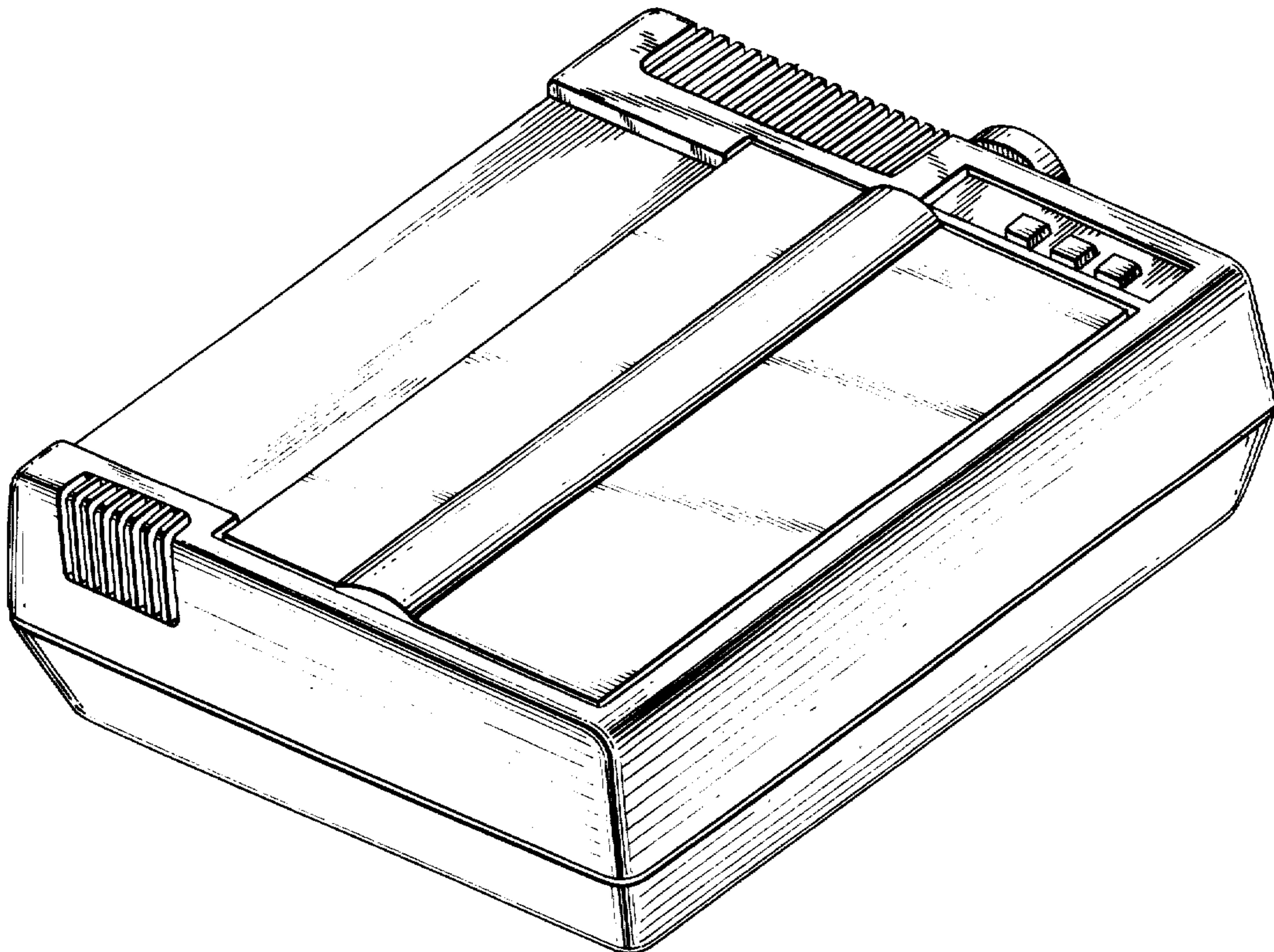


FIG. 1

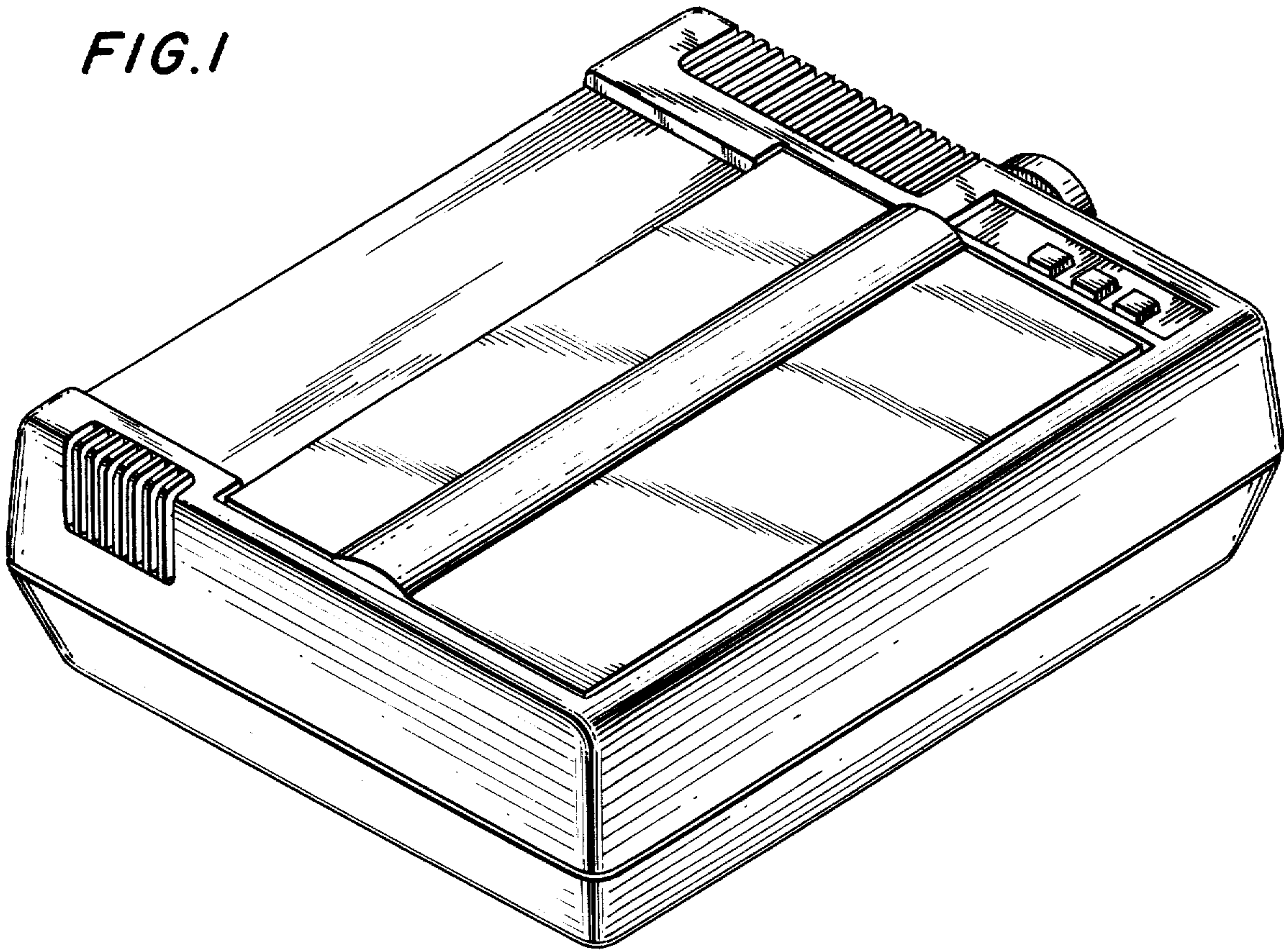


FIG. 2

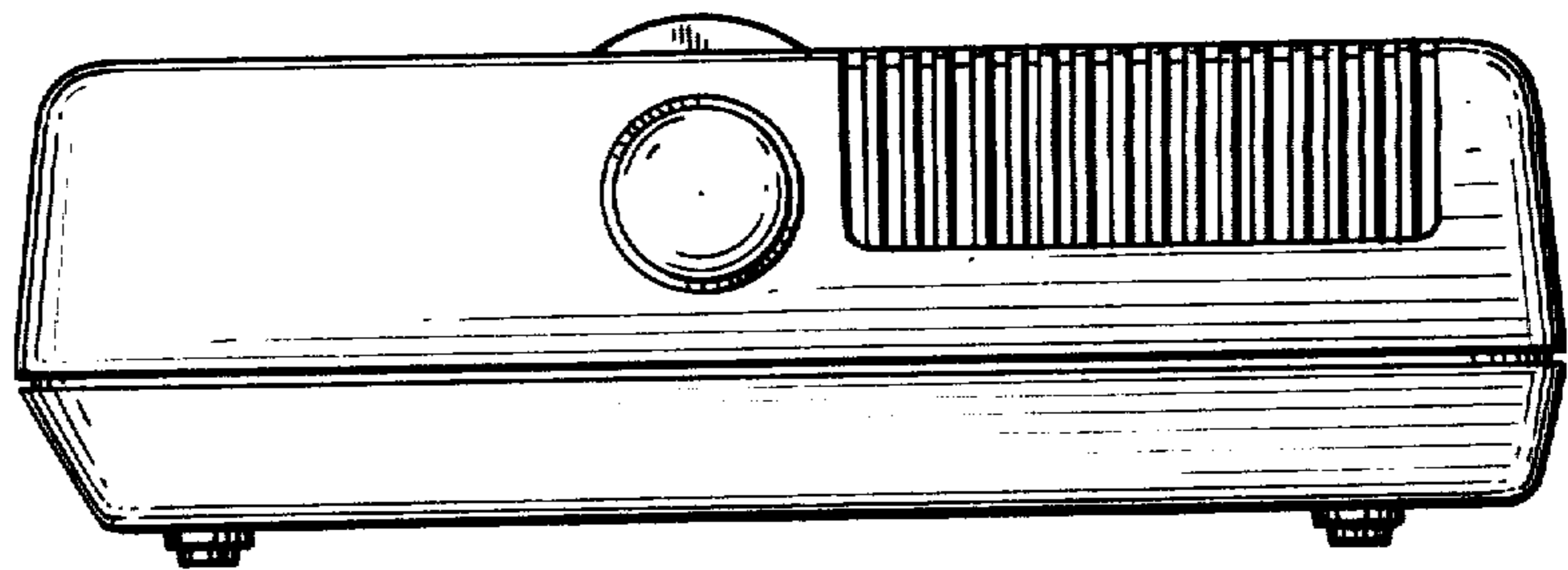


FIG. 3

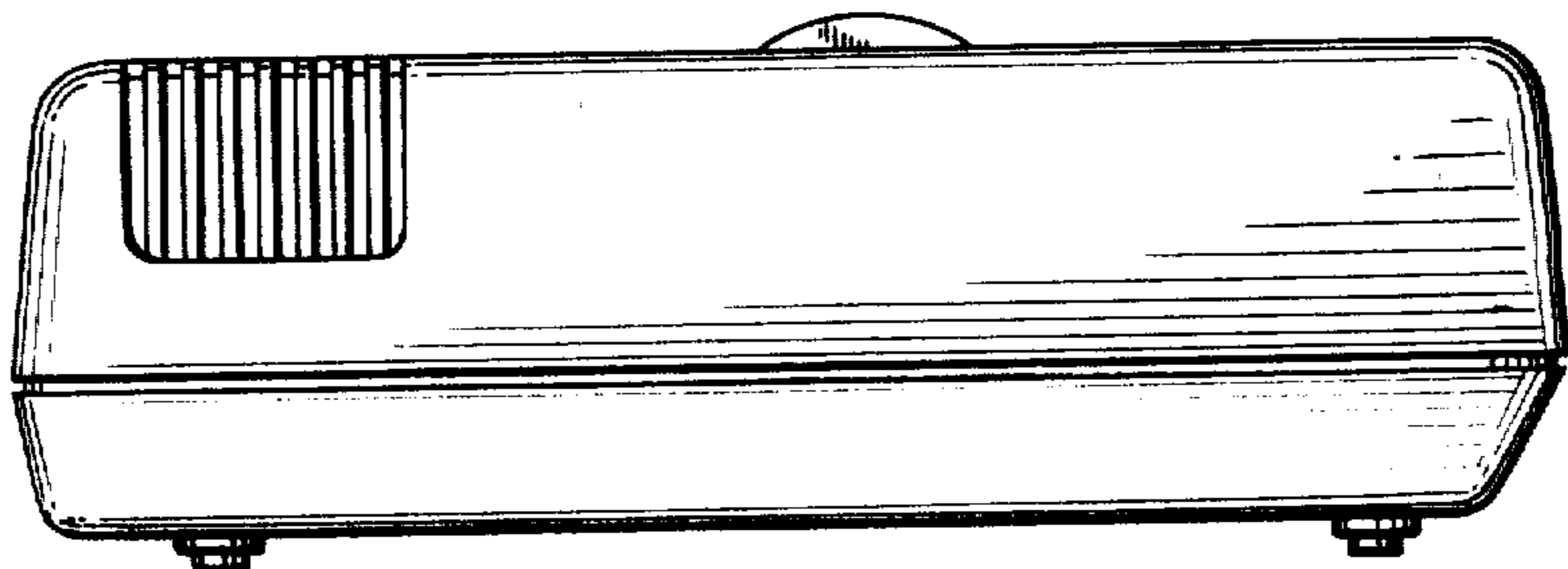


FIG. 4

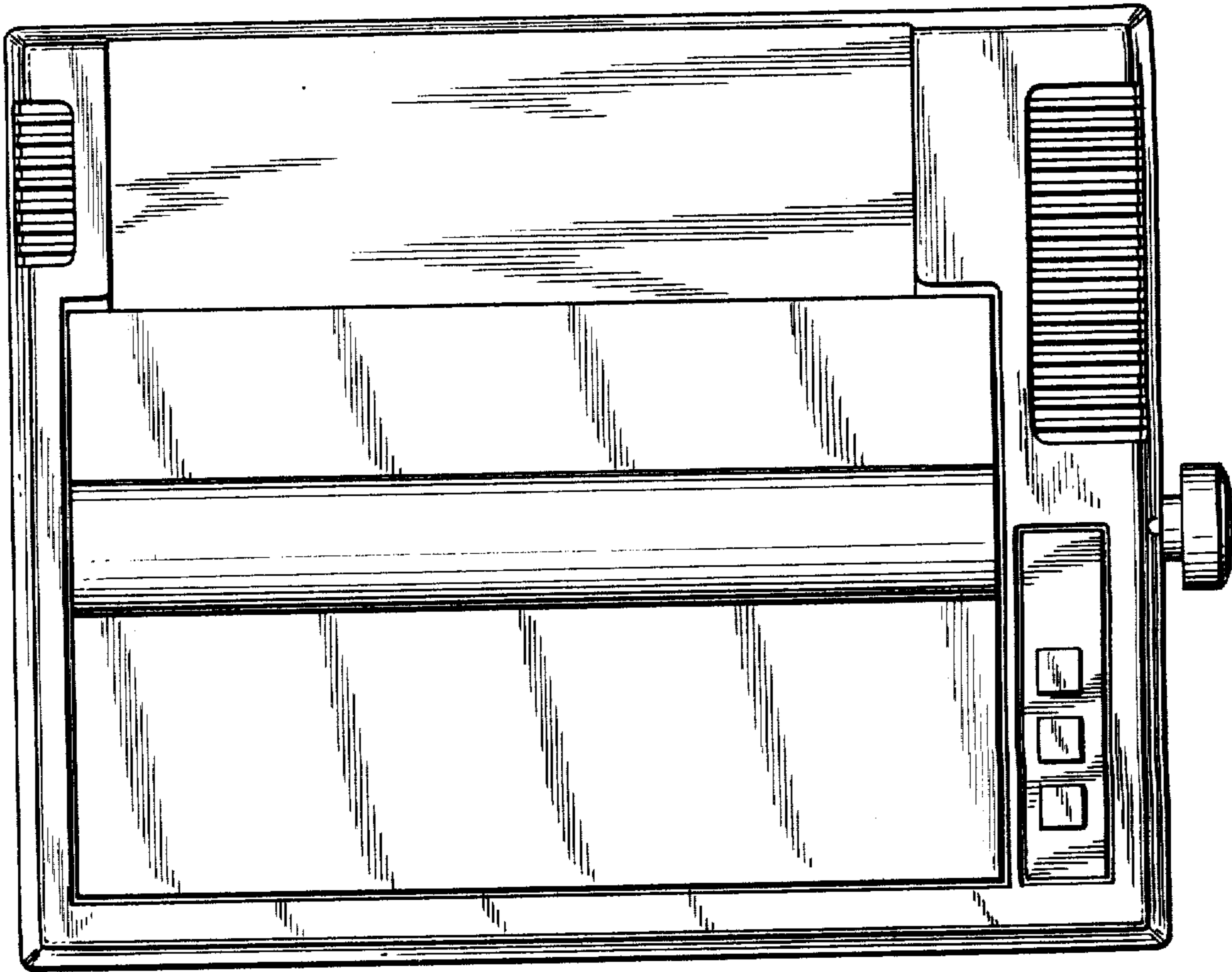


FIG. 5

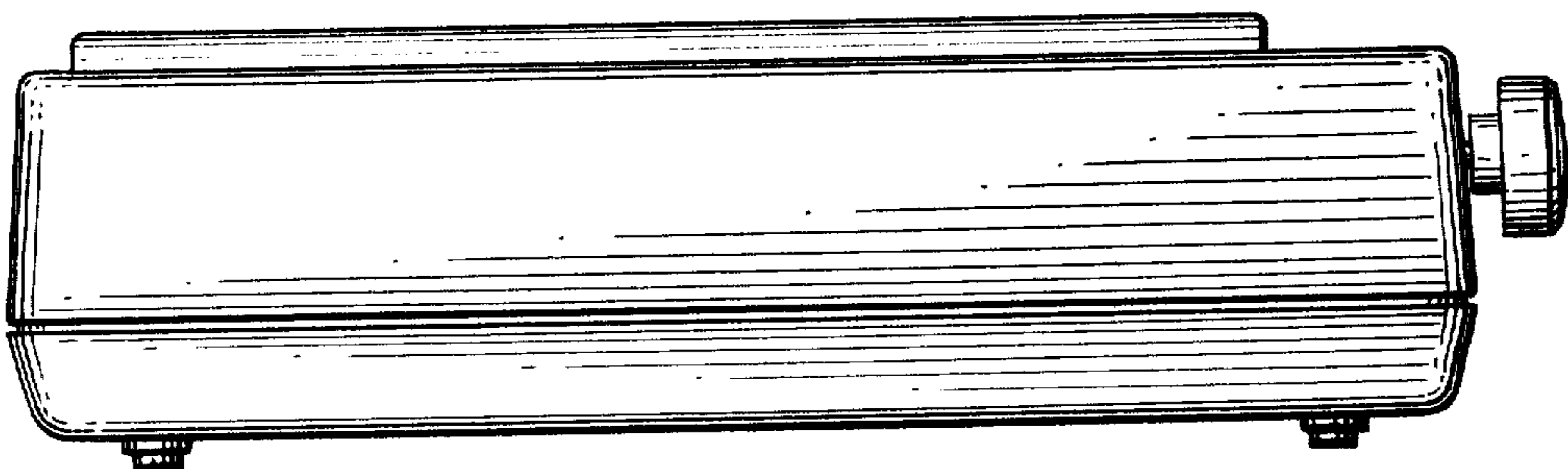


FIG. 6

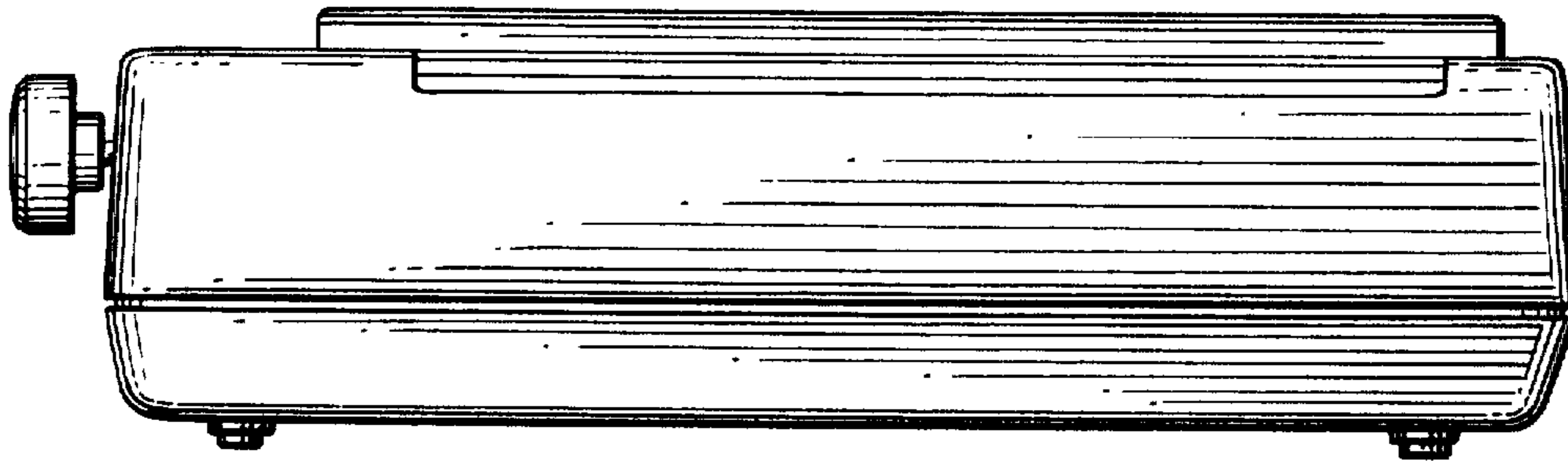


FIG. 7

