

[54] **CLOCK RADIO**

[75] **Inventor:** Pak-Hung Yip, Hong Kong, Hong Kong

[73] **Assignee:** Vita Electronics Corp., Ltd., Hong Kong, Hong Kong

[\*\*] **Term:** 14 Years

[21] **Appl. No.:** 73,417

[22] **Filed:** Sep. 7, 1979

[51] **Int. Cl.** ..... D14-03; D10-01

[52] **U.S. Cl.** ..... D14/73; D10/2;  
D10/15

[58] **Field of Search** ..... D14/1, 68, 70-76,  
D14/99; D10/2, 15

[56] **References Cited**

**U.S. PATENT DOCUMENTS**

D. 240,663 7/1976 Hamada ..... D10/15 X  
D. 243,036 1/1977 Hamada ..... D10/15 X

**OTHER PUBLICATIONS**

W. Bell & Co. '78 Cat., p. 254, Item "C".  
Best Products '78 Buyer's Bk. #121-F, p. 333, Item "F;" p. 337 Item E.

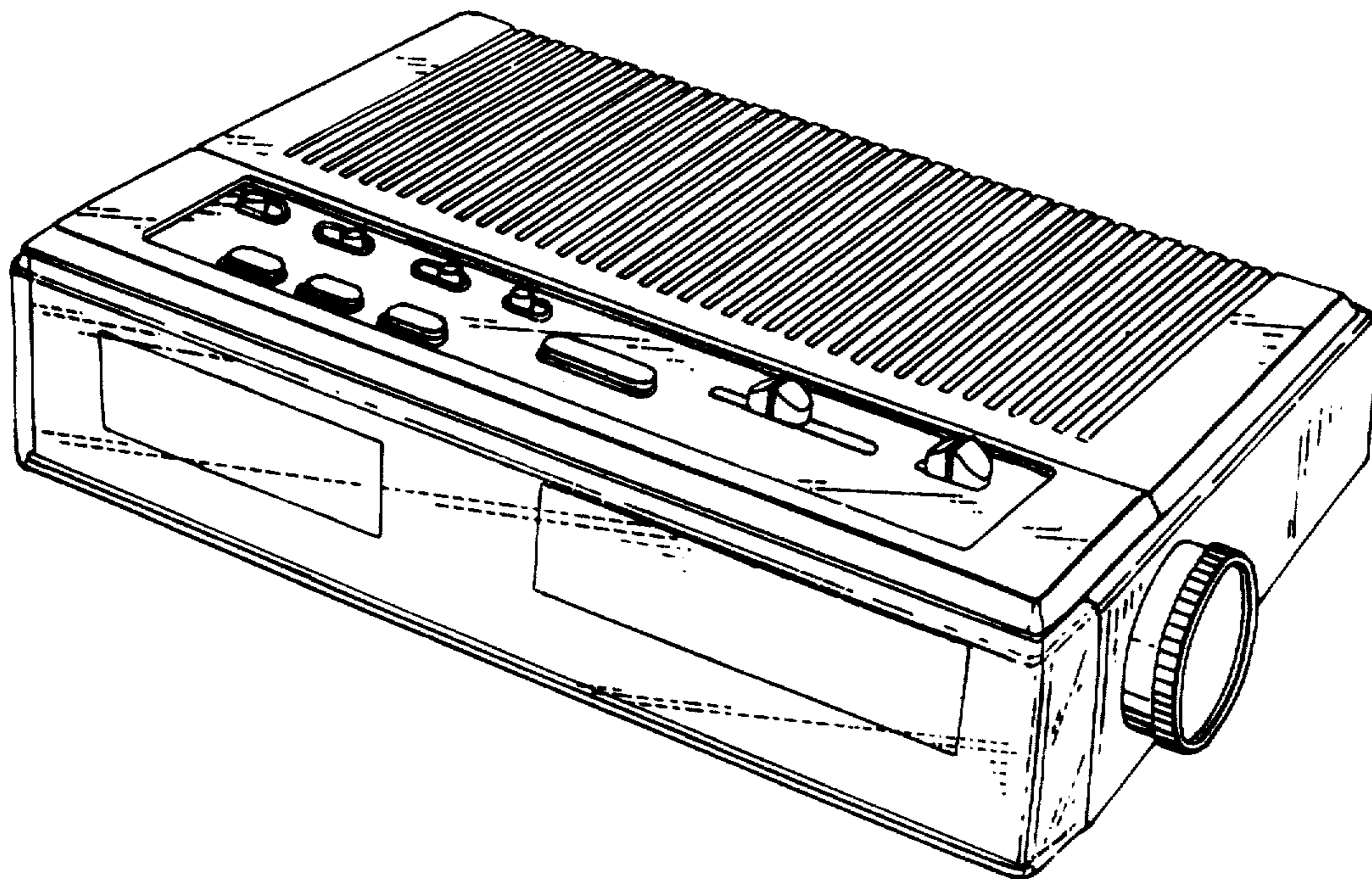
*Primary Examiner*—Jane E. Corrigan  
*Attorney, Agent, or Firm*—Townsend and Townsend

[57] **CLAIM**

The ornamental design for a clock radio, as shown.

**DESCRIPTION**

FIG. 1 is a front, top and right side perspective view of a clock radio showing my new design; FIG. 2 is a left side elevational view; FIG. 3 is a rear elevational view; and FIG. 4 is a bottom plan view.



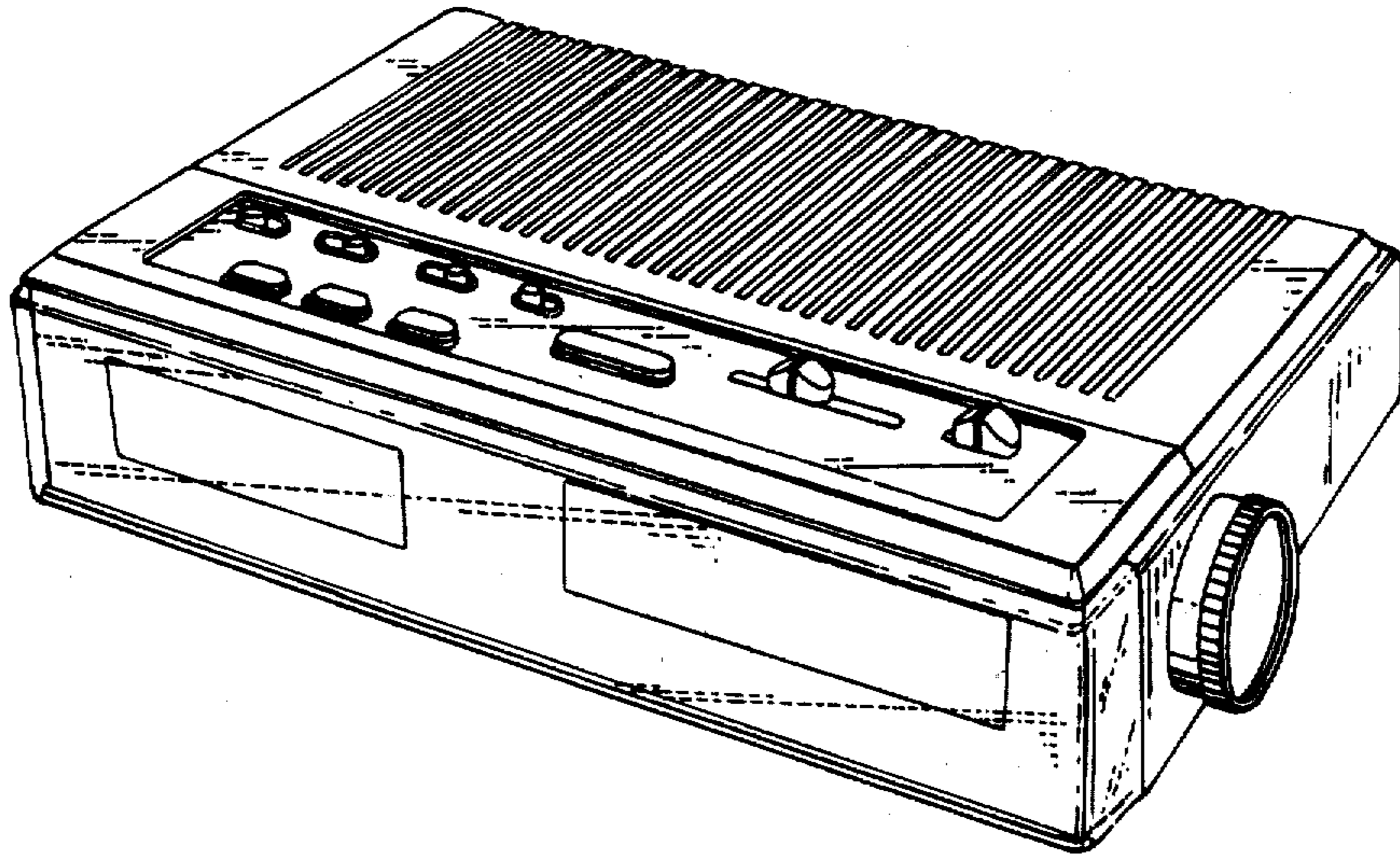


FIG. 1.

FIG. 2.

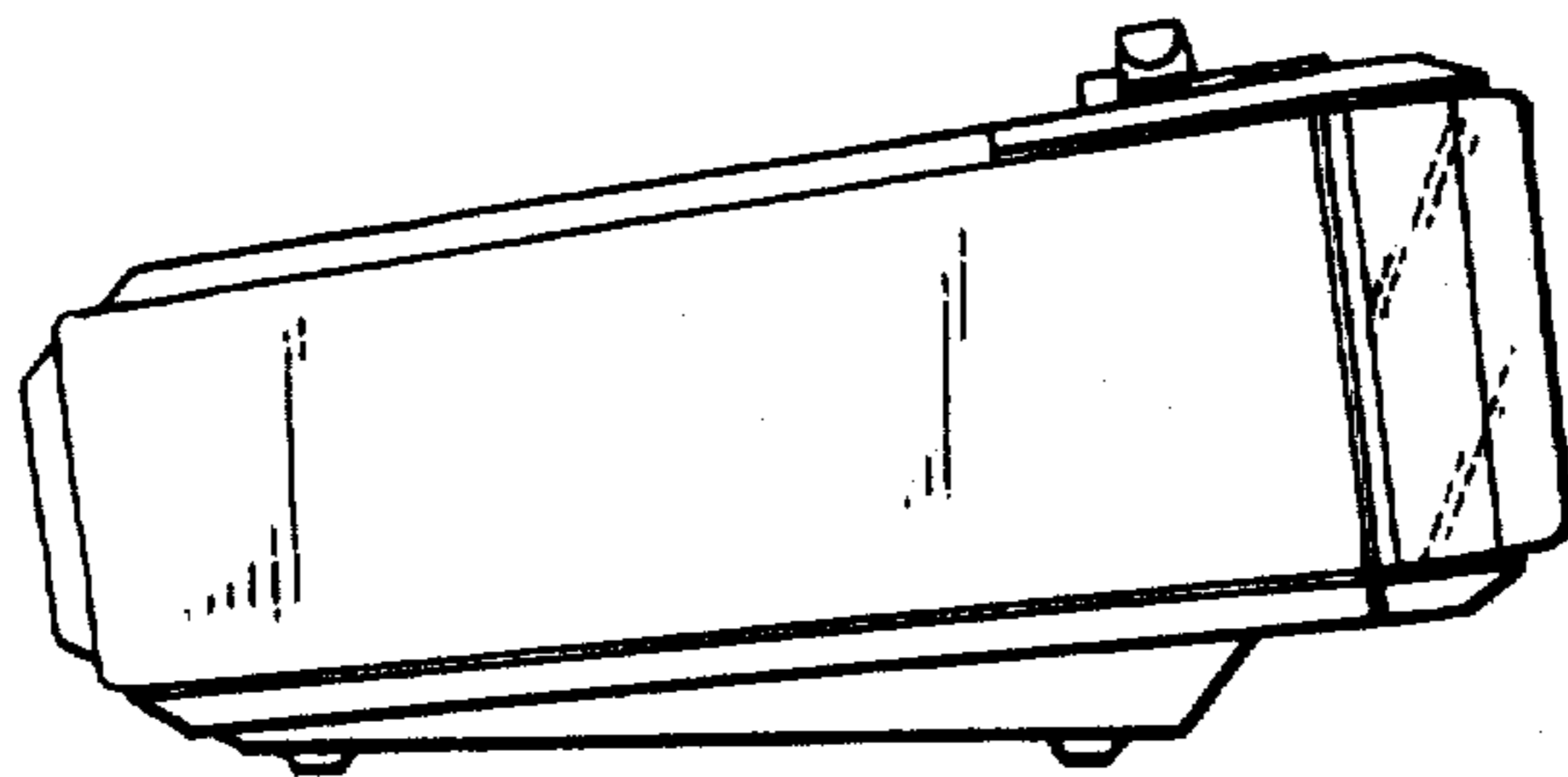


FIG. 3.

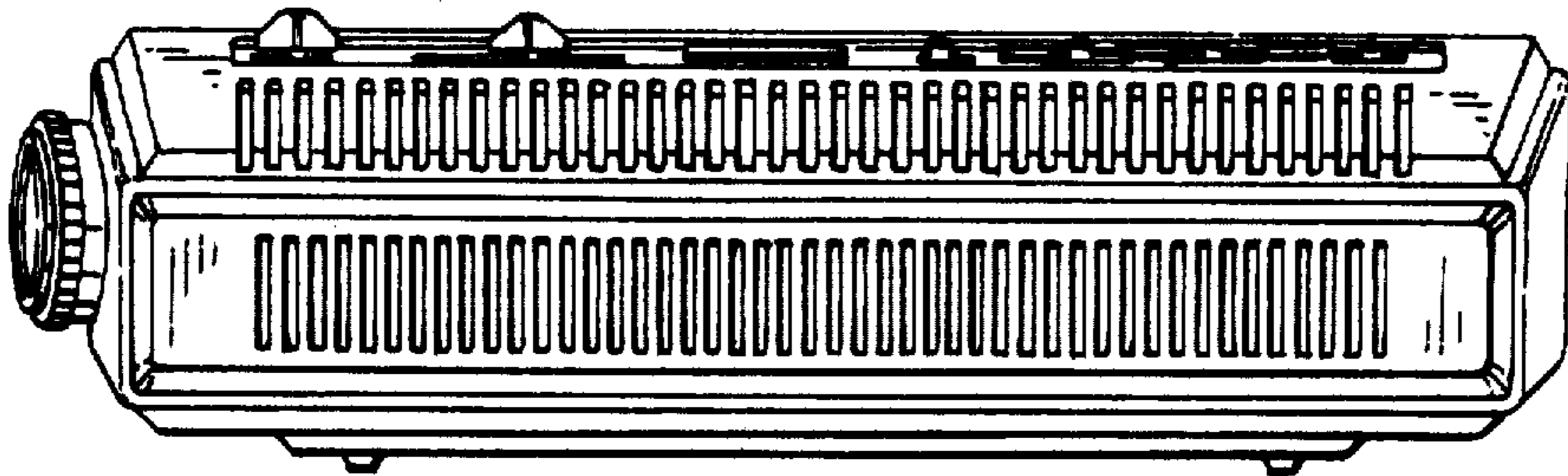


FIG. 4

