

[54] LOUDSPEAKER MAGNET HOUSING

[75] Inventor: Douglas J. Warner, Berkeley, Calif.

[73] Assignee: James B. Lansing Sound, Inc., Chicago, Ill.

[**] Term: 14 Years

[21] Appl. No.: 82,683

[22] Filed: Oct. 9, 1979

[51] Int. Cl. D14-03

[52] U.S. Cl. D14/37

[58] Field of Search D14/30, 37; 179/117, 179/119 R, 120

[56] References Cited

U.S. PATENT DOCUMENTS

2,533,498 12/1950 Munson 179/119 R
3,354,541 11/1967 Gosma 179/117

Primary Examiner—Peter M. Caun
Attorney, Agent, or Firm—Lyon & Lyon

[57] CLAIM

The ornamental designs for a loudspeaker magnet housing, as shown and described.

DESCRIPTION

FIG. 1 is a top plan view of a first embodiment of the magnet housing.

FIG. 2 is a side view of the first embodiment of the magnet housing shown in FIG. 1.

FIG. 3 is a perspective view of the first embodiment of the magnet housing.

In FIGS. 1 and 2, the phantom lines show the remainder of a loudspeaker construction of a type with which the designs of the present invention are frequently employed. The designs of such a loudspeaker construction shown in phantom line do not form a part of the present invention. What is shown is the rear and side views of the magnet housing, the portion which is attached to the remainder of the loudspeaker structure is not a part of the present designs and under normal conditions of sale and operation is not visible to the public.

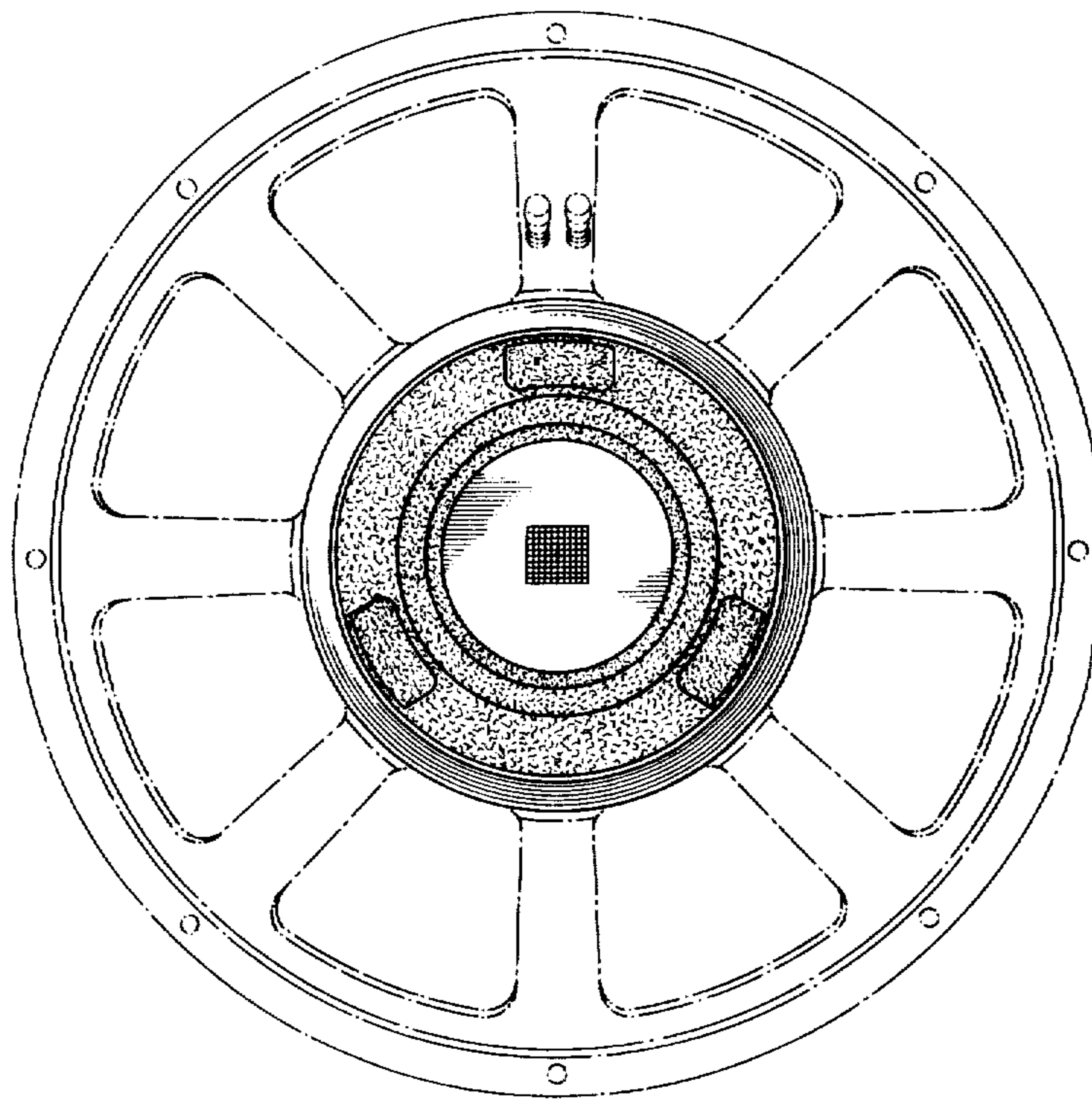


FIG. 1.

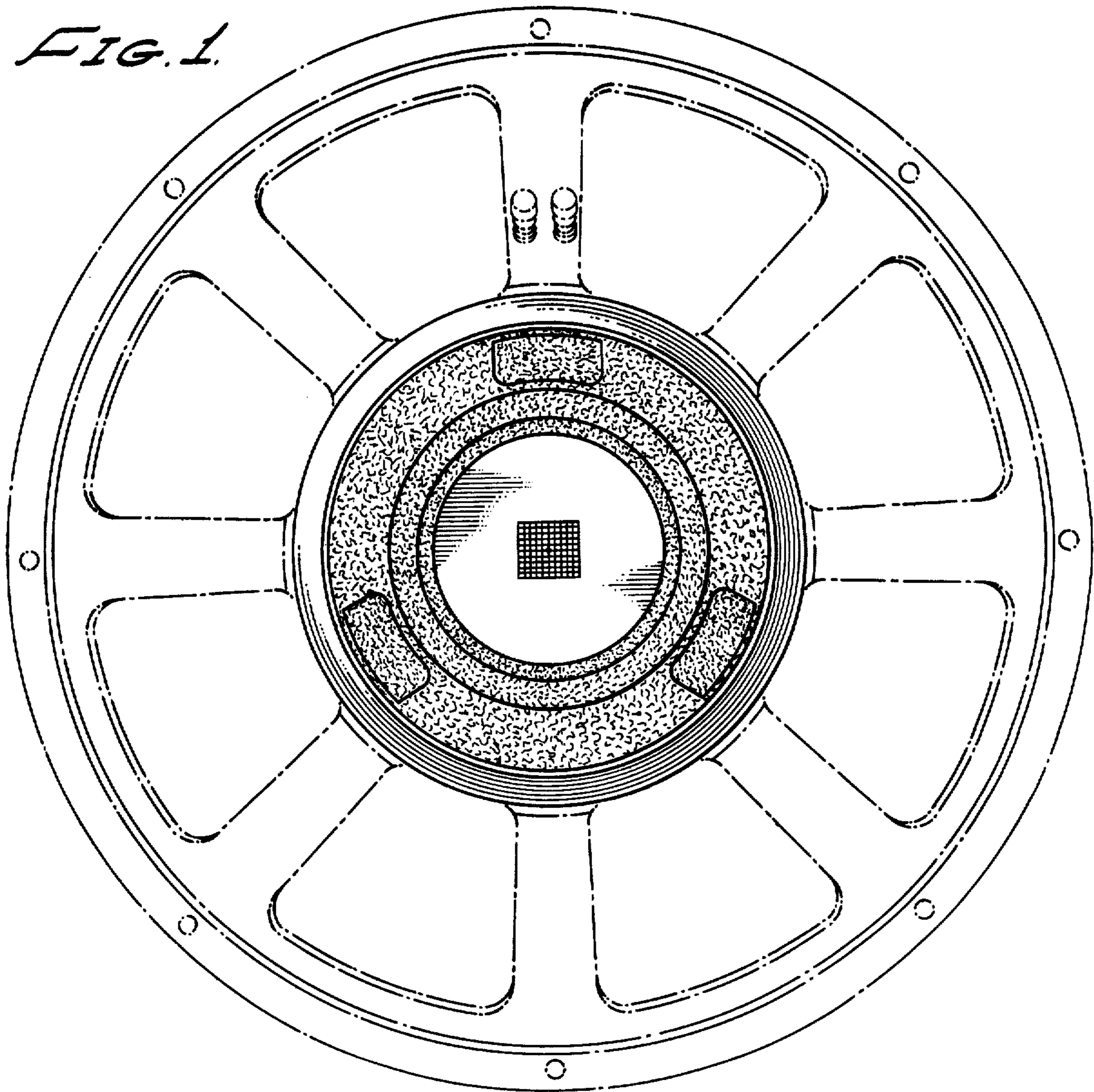
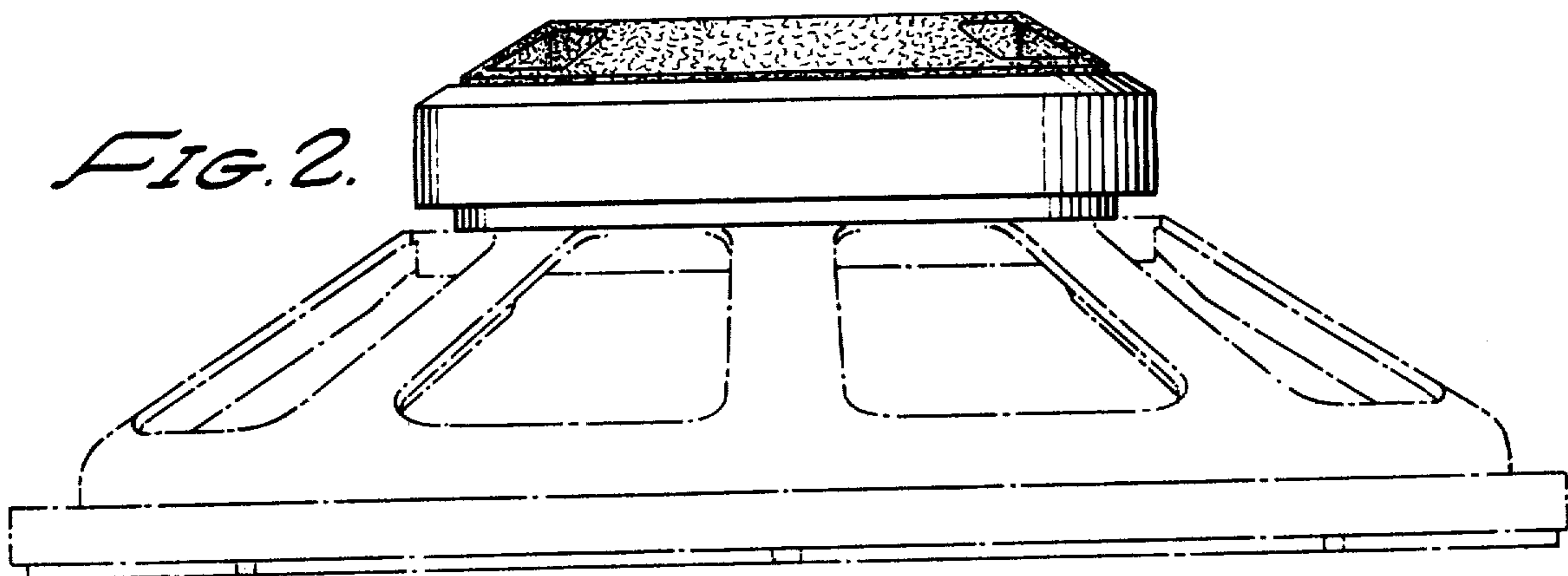


FIG. 2.



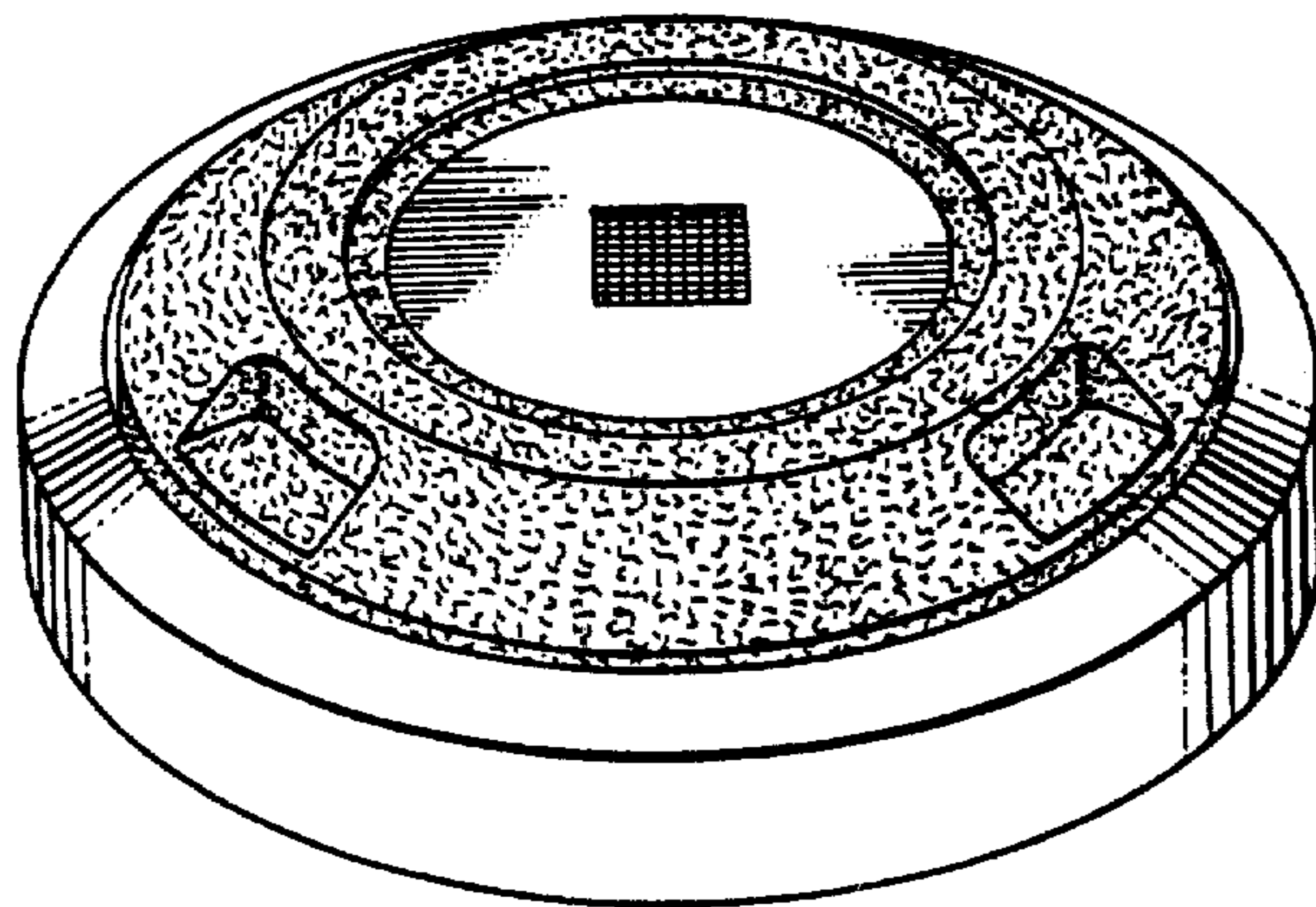


FIG. 3.

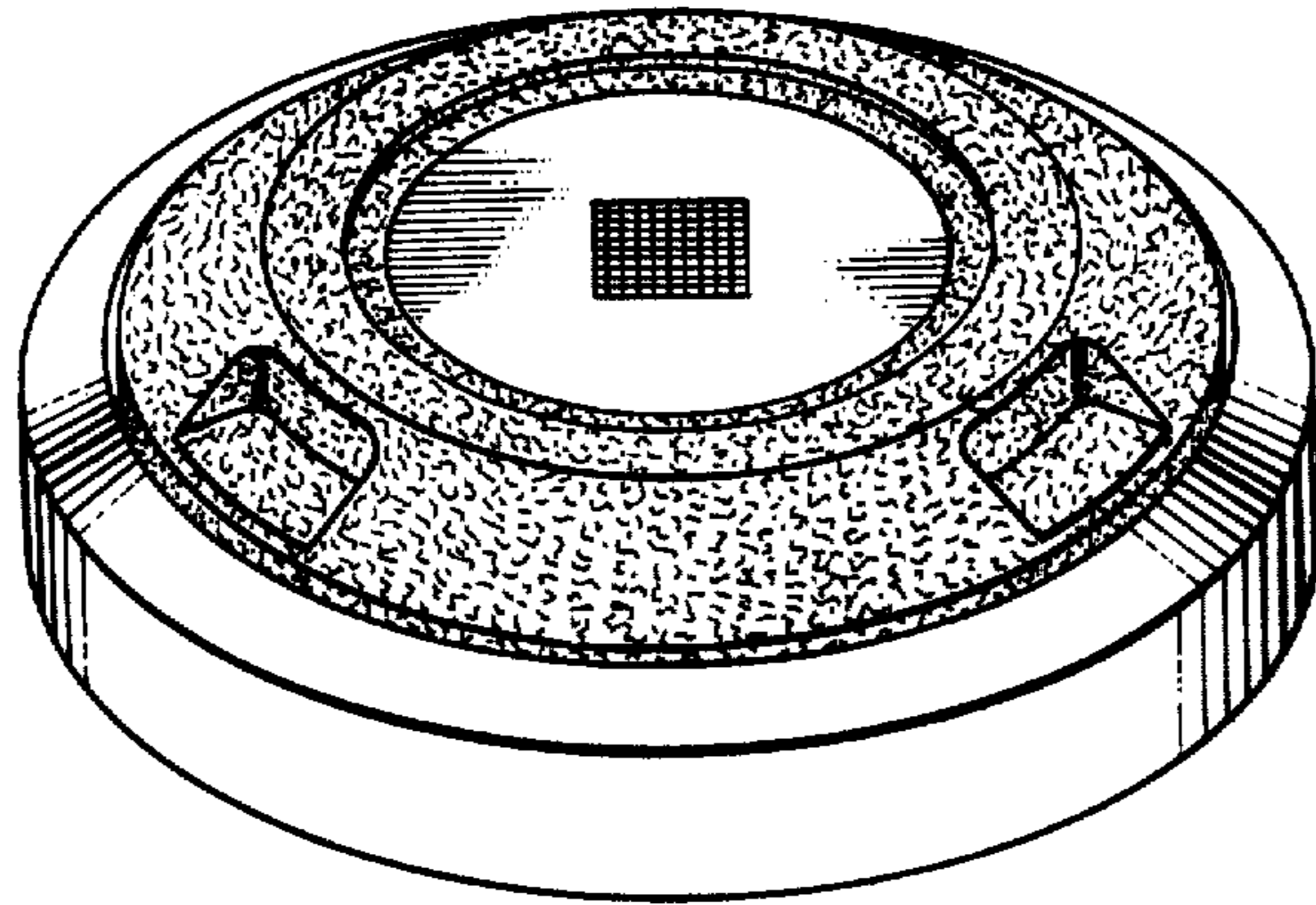


FIG. 3.

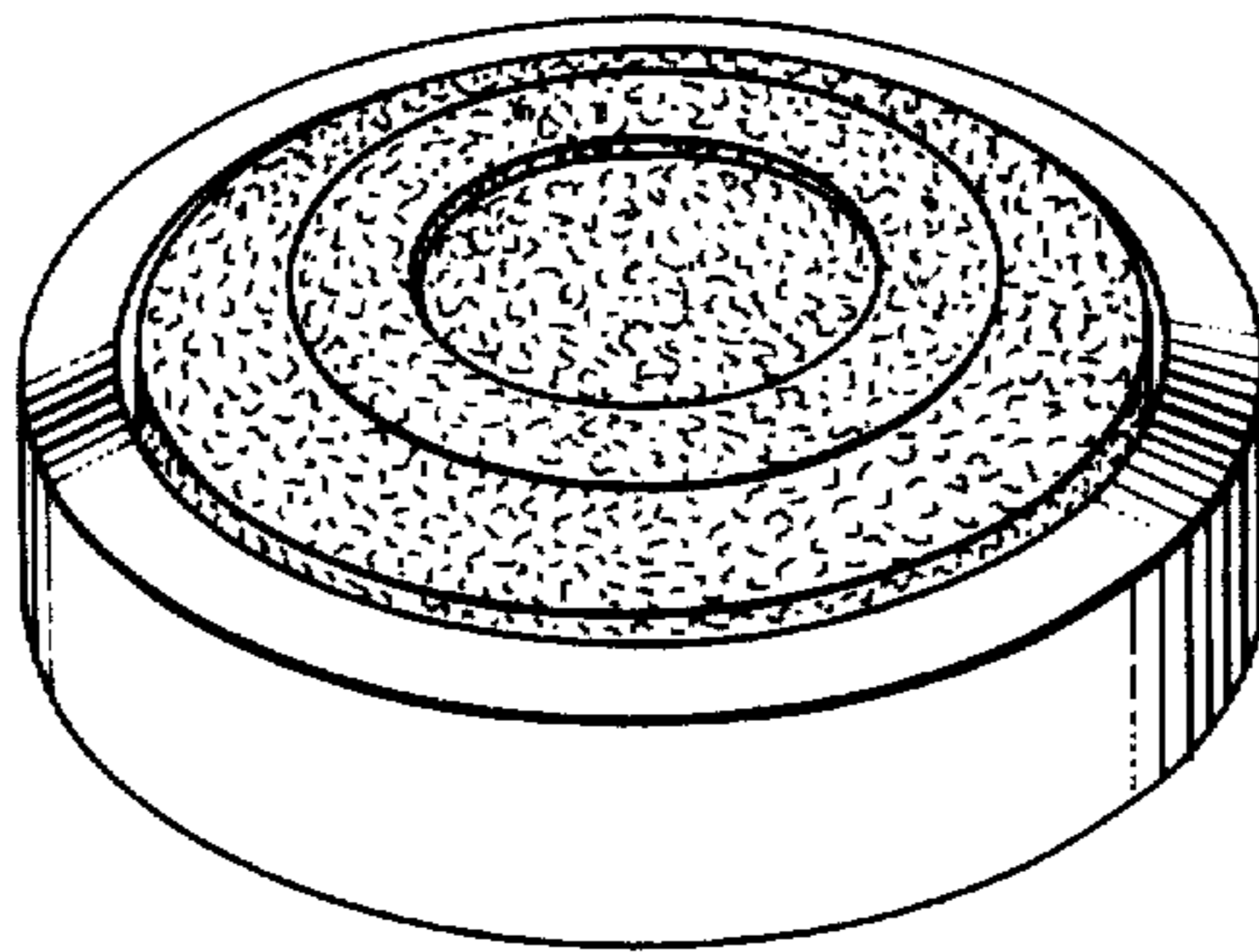


FIG. 6.