

[54] BATHROOM SCALE

[75] Inventor: André Garrigues, Monnetier-Mornex, France

[73] Assignee: Terraillon, Juvigny, France

[\*\*] Term: 14 Years

[21] Appl. No.: 171,936

[22] Filed: Jul. 18, 1980

[30] Foreign Application Priority Data

Feb. 1, 1980 [XH] Hague ..... 69.926

[51] Int. Cl. .... D10-04

[52] U.S. Cl. .... D10/92

[58] Field of Search ..... D10/87-94, D10/92; 177/150, 180, 177, 238, 239, 256

[56] References Cited

U.S. PATENT DOCUMENTS

D. 102,272 12/1936 Greenleaf ..... D10/92

OTHER PUBLICATIONS

Housewares-7/74-p. 133-wooden scales at top.  
Linens, Domestic & Bath-May/Jun. 1977-p. 57-scales at top.  
Linens, Domestic & Bath-Aug./Sep. 1972-p. 33-scale at center.  
Hardware Age-5/1/71-p. 52-scale at lower-left.

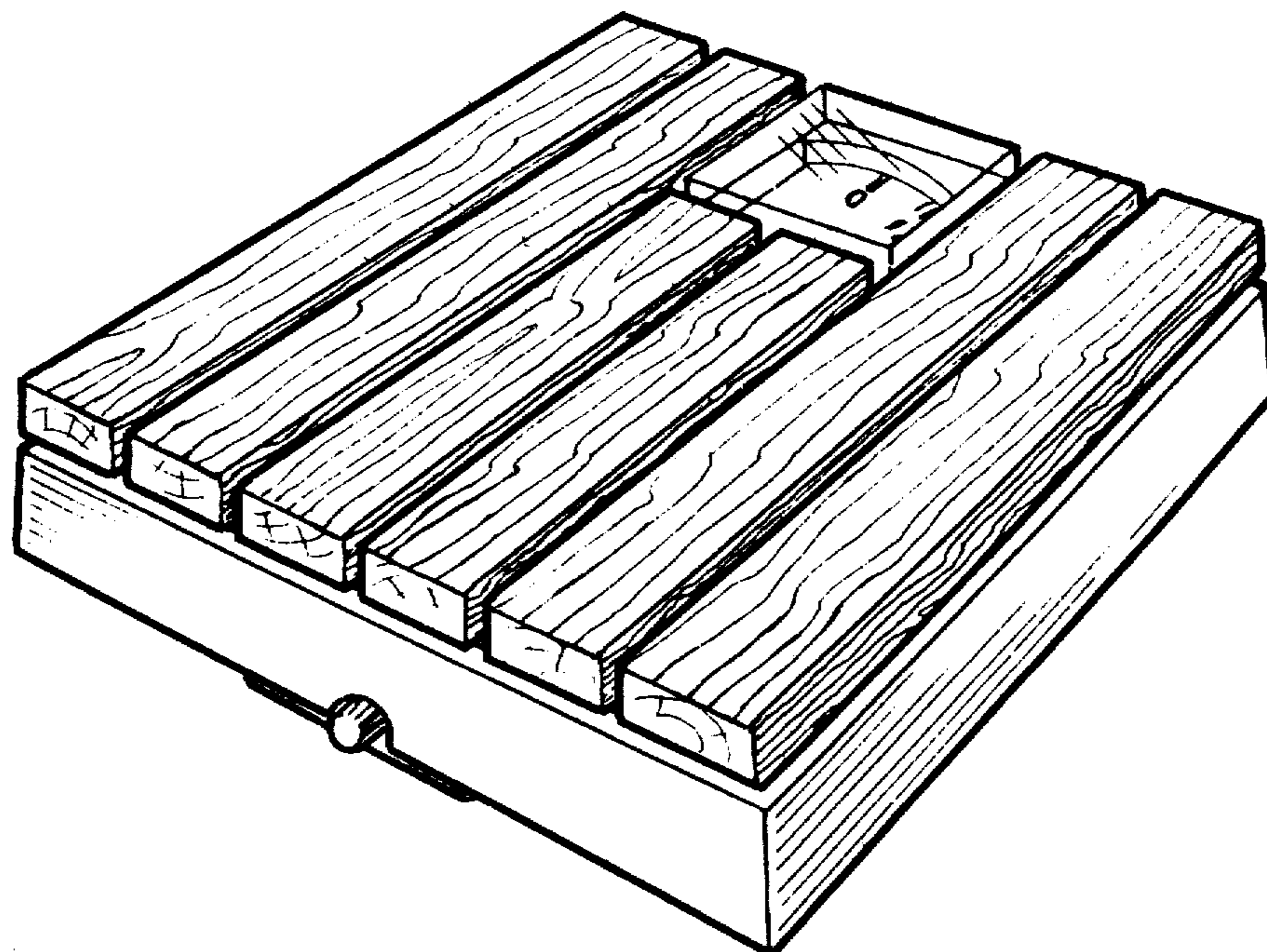
Primary Examiner-Nelson C. Holtje  
Attorney, Agent, or Firm-Ladas & Parry

[57] CLAIM

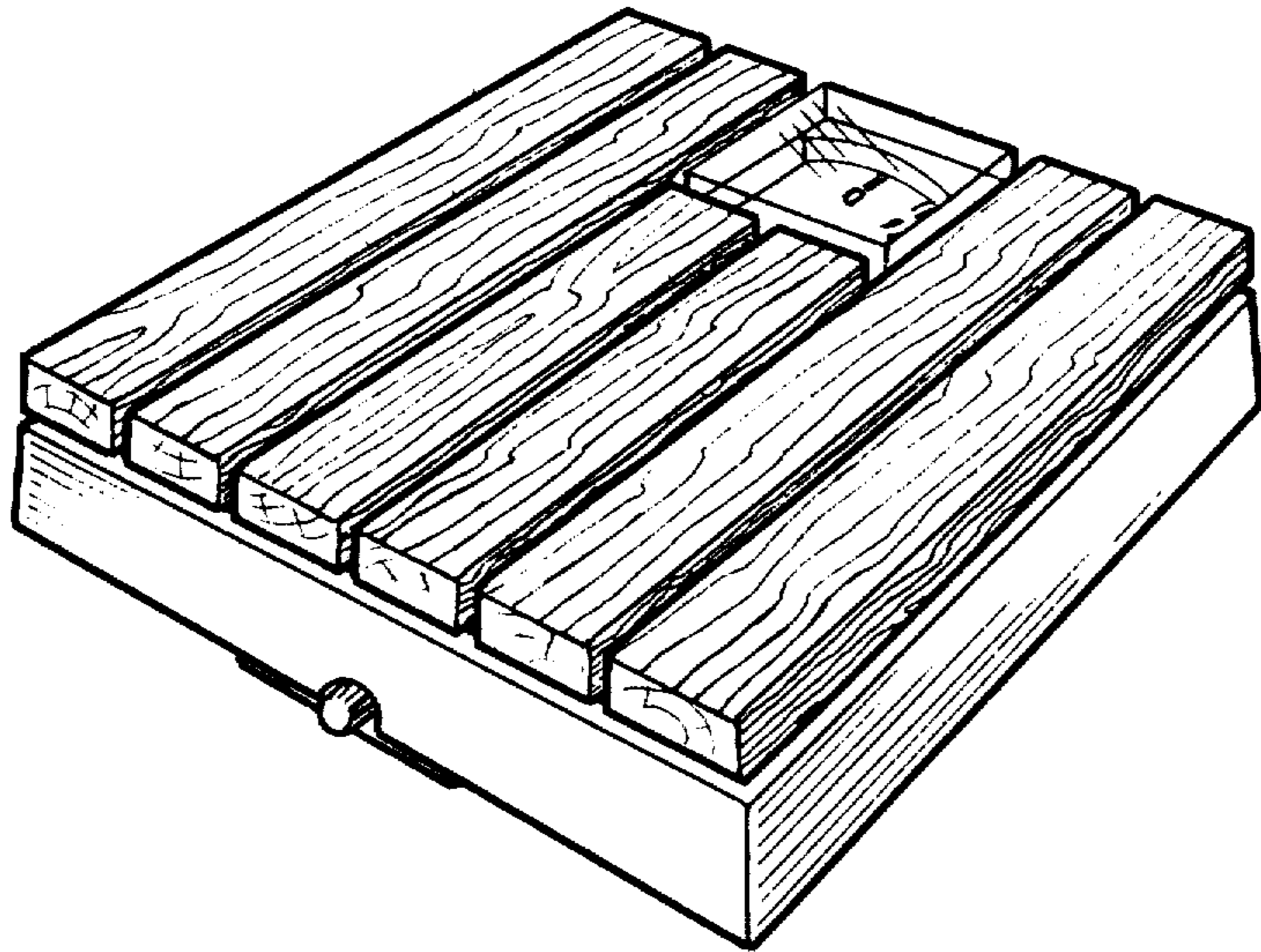
The ornamental design for a bathroom scale, substantially as shown and described.

DESCRIPTION

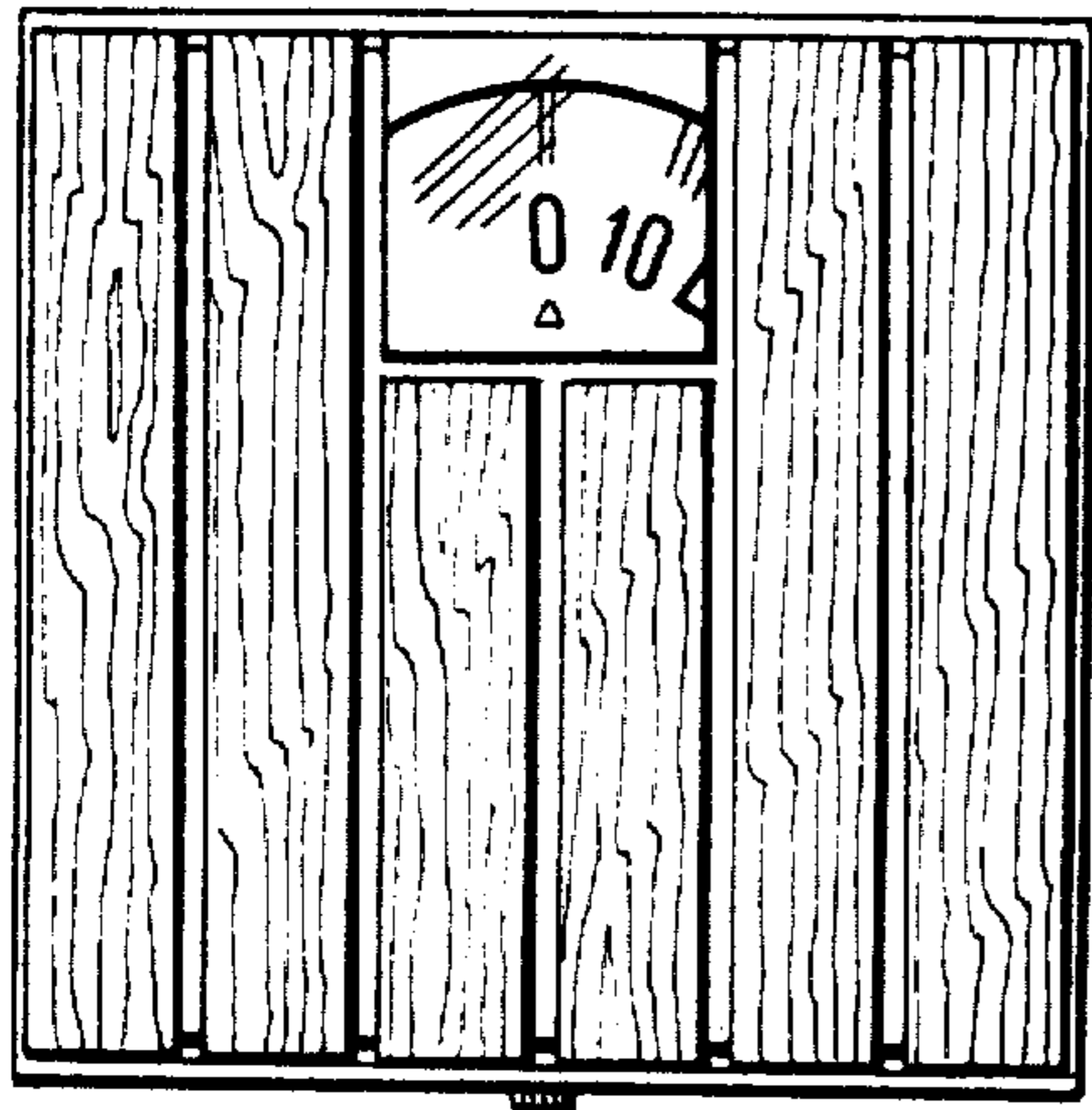
FIG. 1 is a top and right front perspective view of a bathroom scale showing my new design;  
FIG. 2 is a top plan view thereof;  
FIG. 3 is a bottom plan view thereof;  
FIG. 4 is a front elevational view thereof;  
FIG. 5 is a rear elevational view thereof.



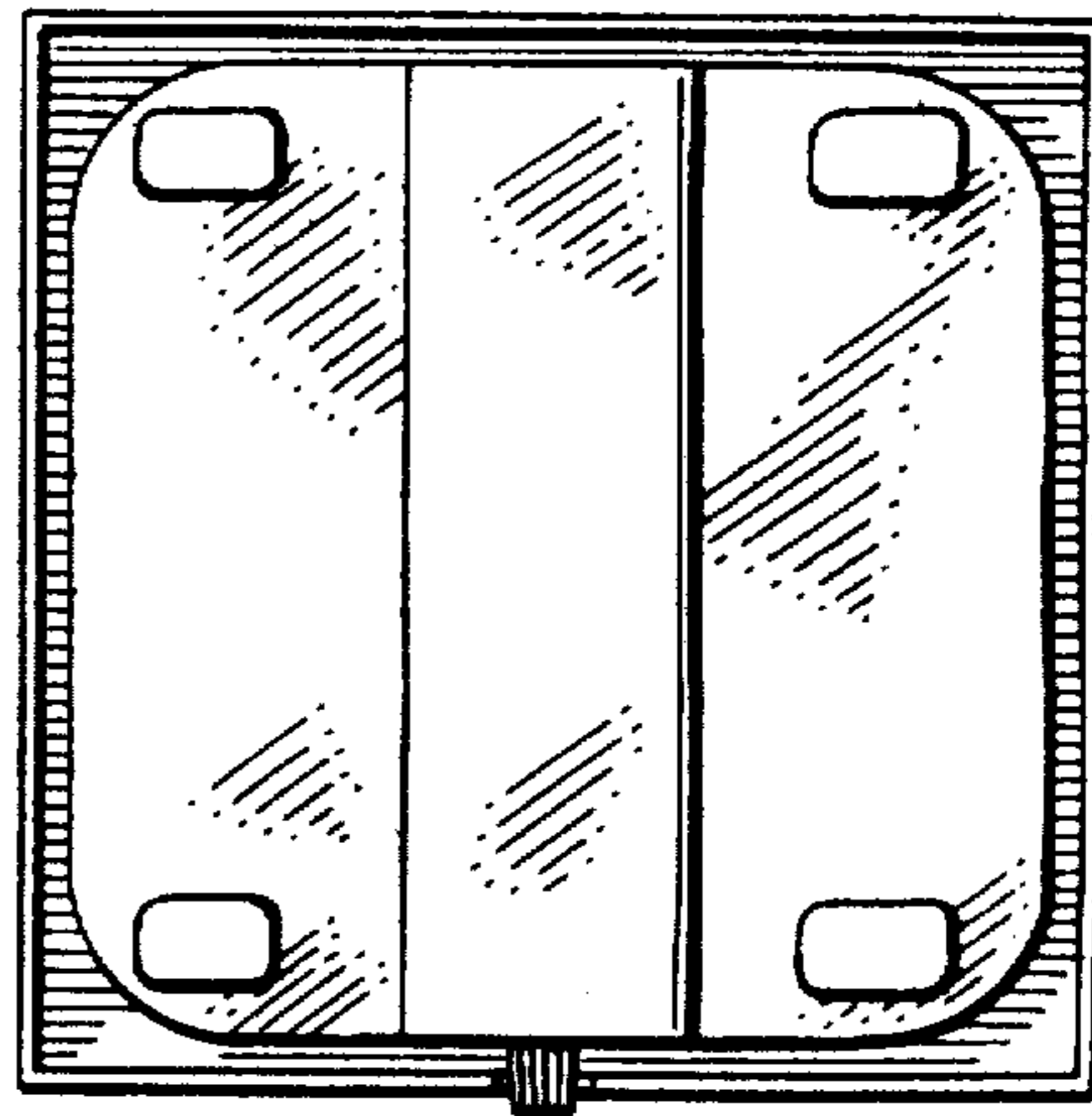
**FIG. 1**



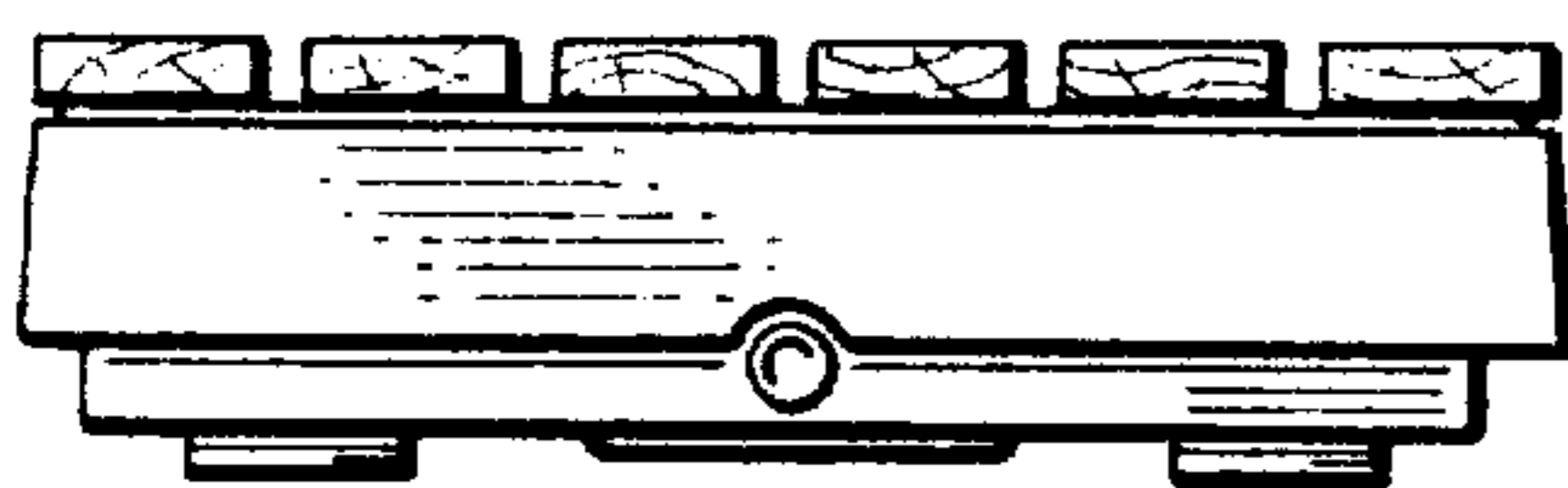
**FIG. 2**



**FIG. 3**



**FIG. 4**



**FIG. 5**

