

[54] COMBINATION LOCK FENCE LEVER FOR BANK VAULTS, SAFE DOORS AND THE LIKE

[75] Inventor: Harry C. Miller, Nicholasville, Ky.

[73] Assignee: Sargent & Greenleaf, Inc., Nicholasville, Ky.

[**] Term: 14 Years

[21] Appl. No.: 187,175

[22] Filed: Sep. 15, 1980

[51] Int. Cl. D8-343

[52] U.S. Cl. D8/343

[58] Field of Search 70/303 R, 303 A, 158, 70/321, 322, 333; D8/336, 343

[56] References Cited

U.S. PATENT DOCUMENTS

- 3,339,382 9/1967 Miller et al. 70/303 R
- 3,991,596 11/1976 Gartner 70/303 A

Primary Examiner—A. Hugo Word
Attorney, Agent, or Firm—Mason, Fenwick & Lawrence

[57] CLAIM

The ornamental design for a combination lock fence lever for bank vaults, safe doors and the like, as shown and described.

DESCRIPTION

FIG. 1 is a perspective view from in front and below, of a combination lock fence lever for bank vaults, safe doors and the like showing a first embodiment of my new design;

FIG. 2 is top plan view thereof;

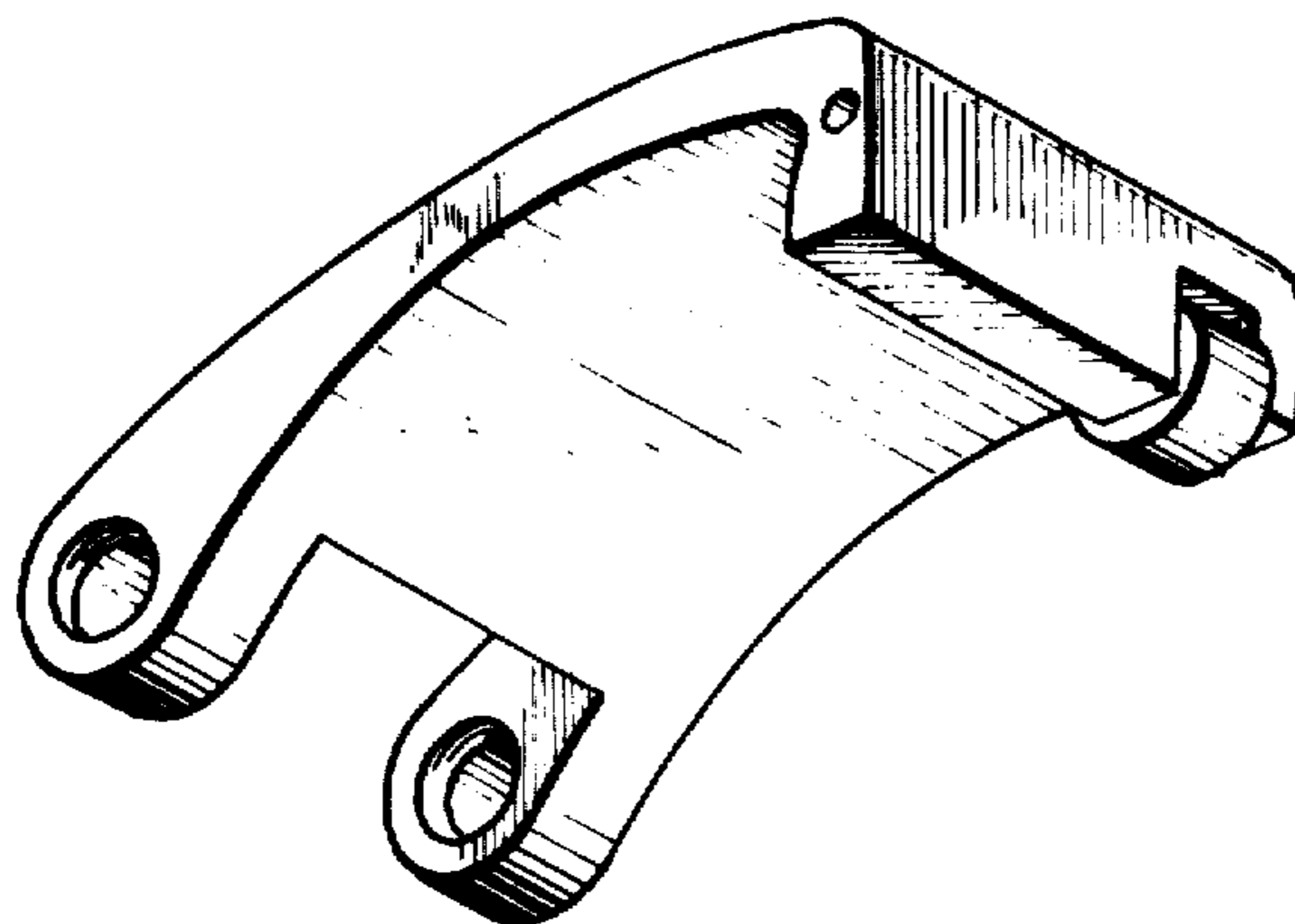
FIG. 3 is a side elevation view thereof, the opposite side elevation being substantially the mirror image of FIG. 2;

FIG. 4 is a bottom view thereof;

FIG. 5 is a front view thereof;

FIG. 6 is a rear view thereof; and

FIG. 7 is a perspective view from in front and below showing a second embodiment of my new design.



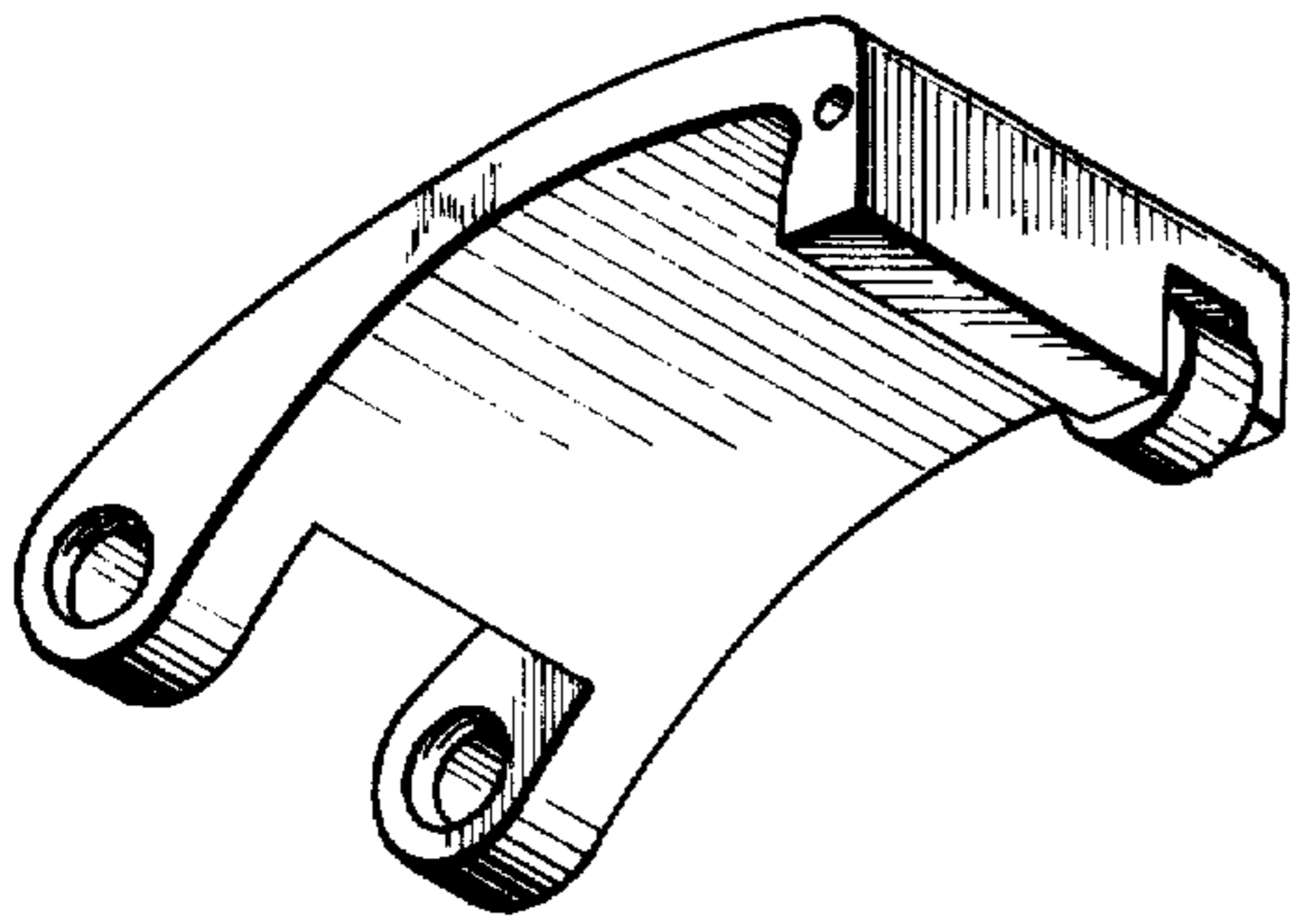


Fig-1

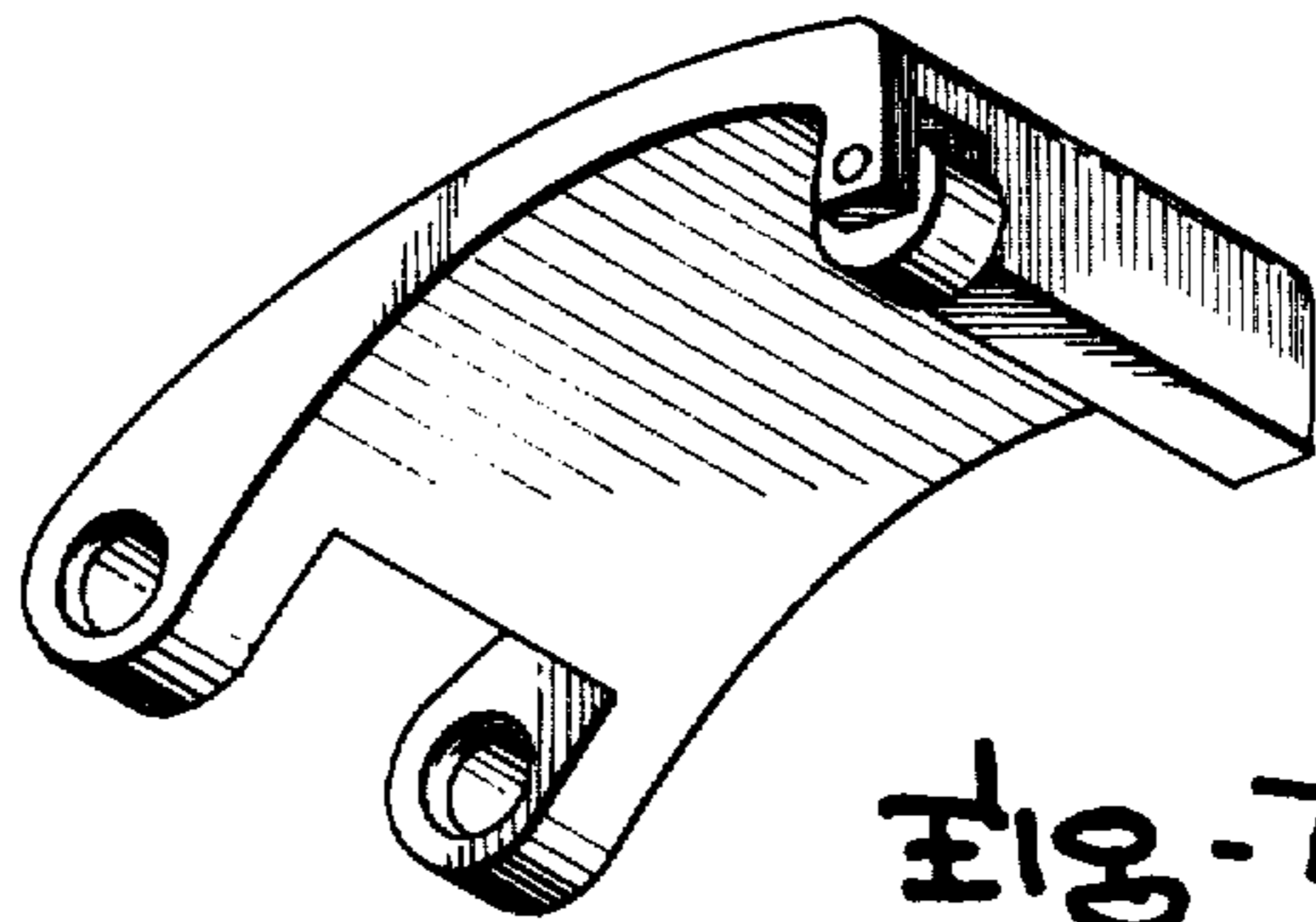


Fig-7

Fig-2

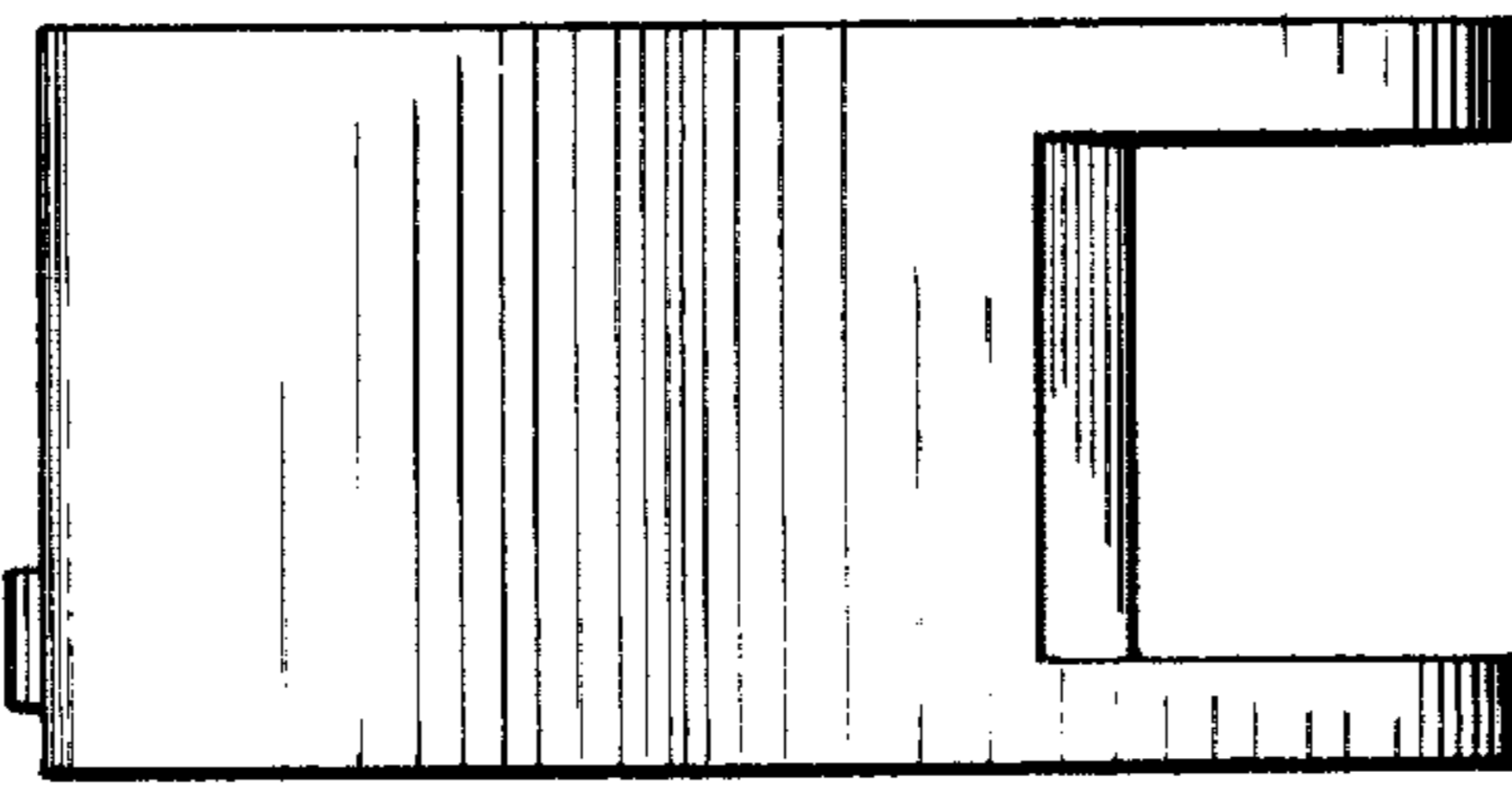


Fig-5

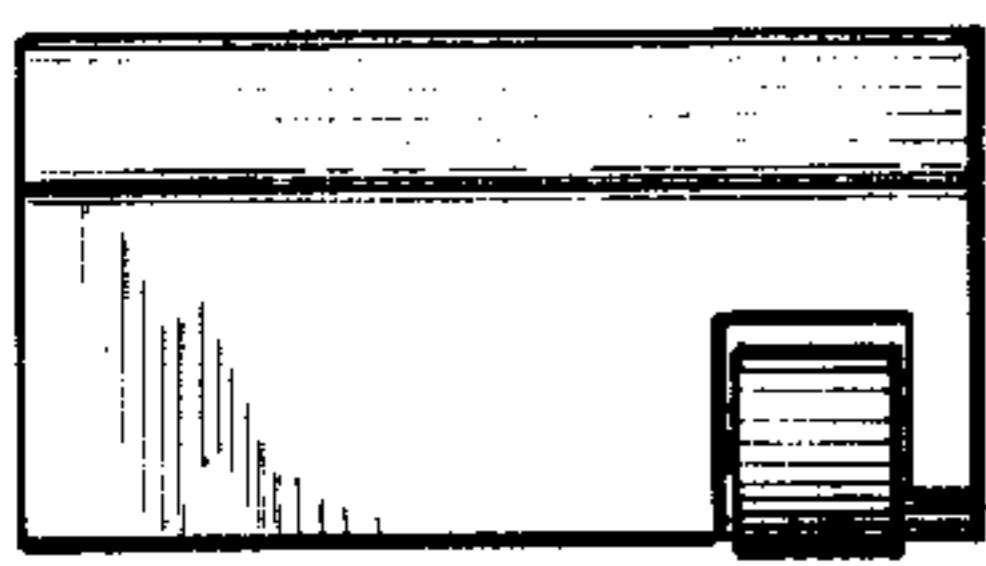


Fig-3

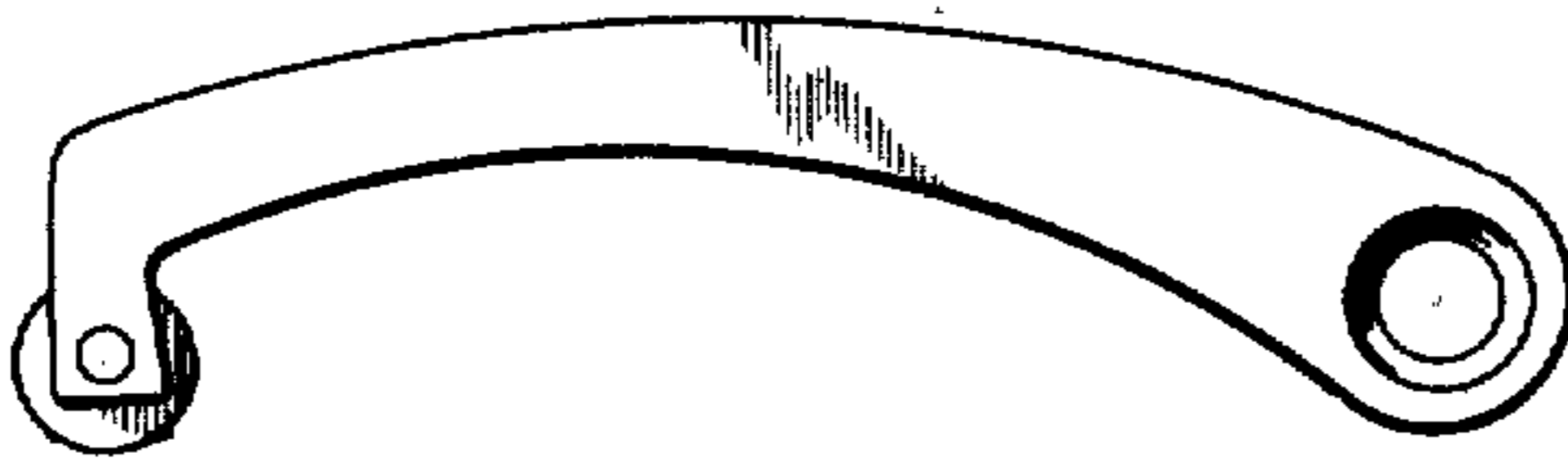


Fig-6



Fig-4

