

[54] KNIFE SHARPENER

[75] Inventors: Paul C. Mayer, Wausau, Wis.; James R. Reichow, Minneapolis, Minn.

[73] Assignee: Fiskars Manufacturing Company, Wausau, Wis.

[**] Term: 14 Years

[21] Appl. No.: 158,551

[22] Filed: Jun. 11, 1980

[51] Int. Cl. D8-05

[52] U.S. Cl. D8/93

[58] Field of Search D8/93; 76/82.2, 82, 76/86, 88

[56] References Cited

U.S. PATENT DOCUMENTS

D. 241,504 9/1976 Krusche et al. D8/93
2,045,430 6/1936 Winter 76/82.2
3,293,949 12/1966 Lindsay 76/82.2

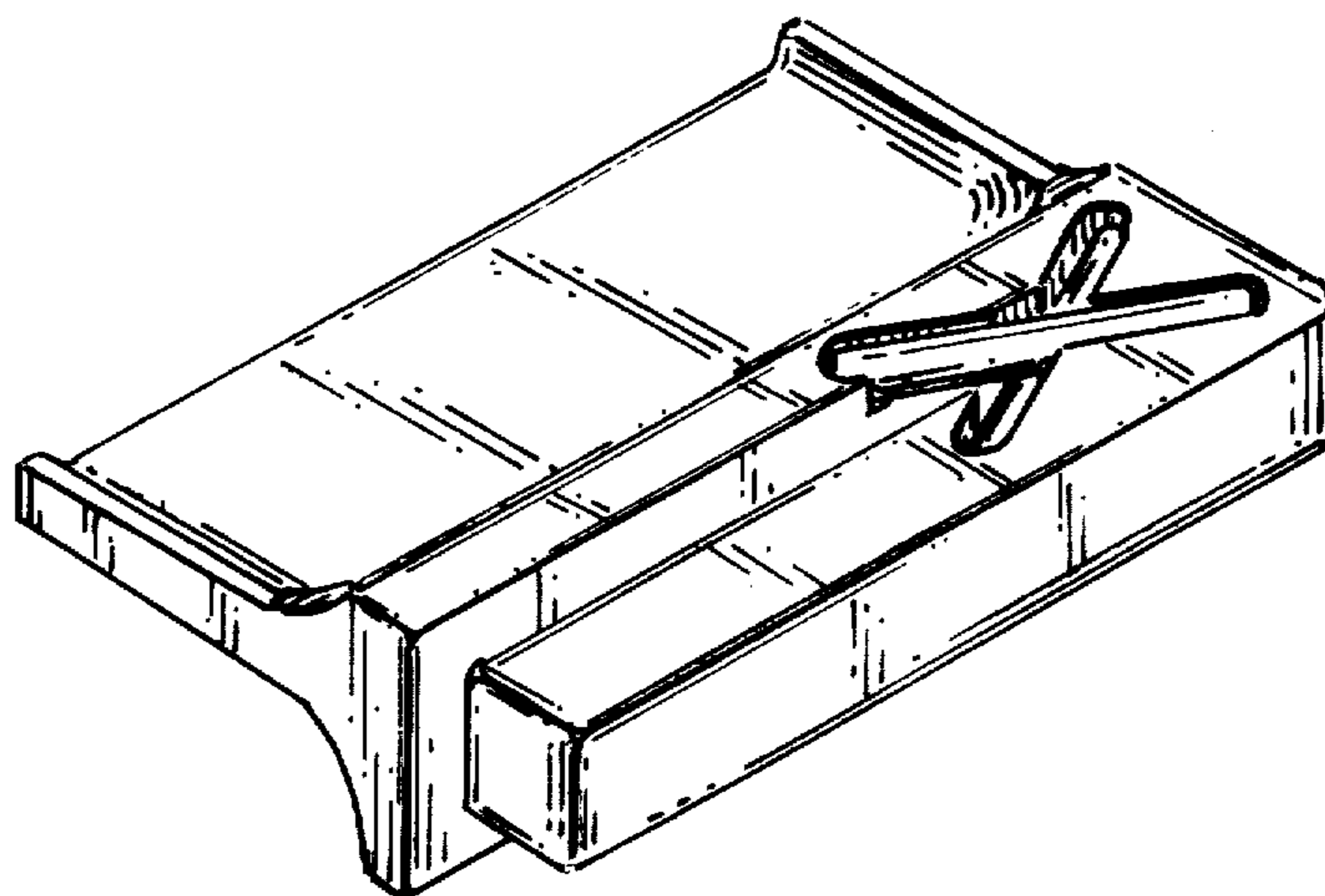
Primary Examiner—Alan P. Douglas
Attorney, Agent, or Firm—Ladas & Parry

[57] CLAIM

The ornamental design for a knife sharpener, as shown and described.

DESCRIPTION

FIG. 1 is a perspective view showing top front and left side;
FIG. 2 is a plan view;
FIG. 3 is an under view;
FIG. 4 is a front elevation;
FIG. 5 is a rear elevation;
FIG. 6 is a left end elevation; and
FIG. 7 is a right end elevation.



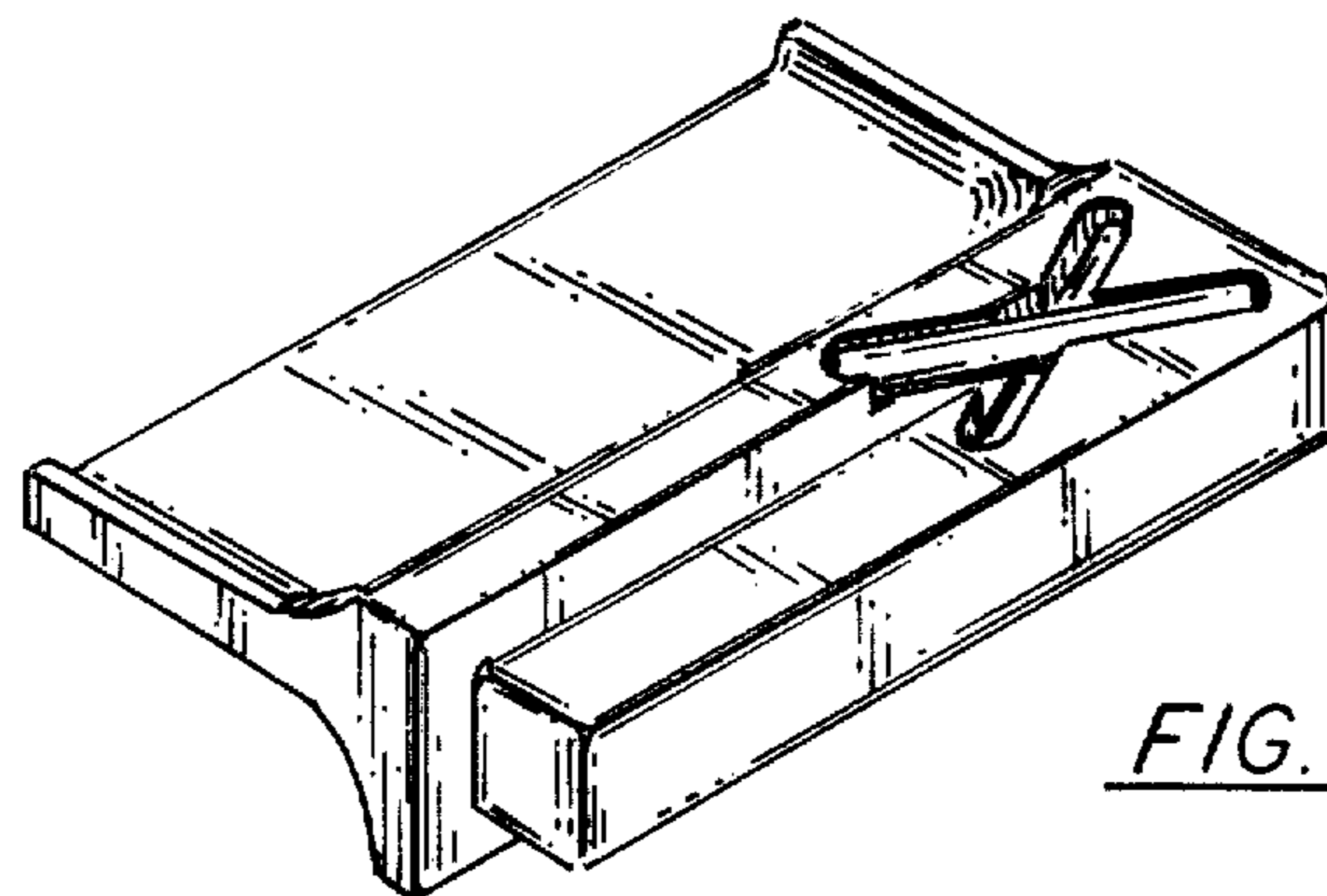


FIG. 1



FIG. 6

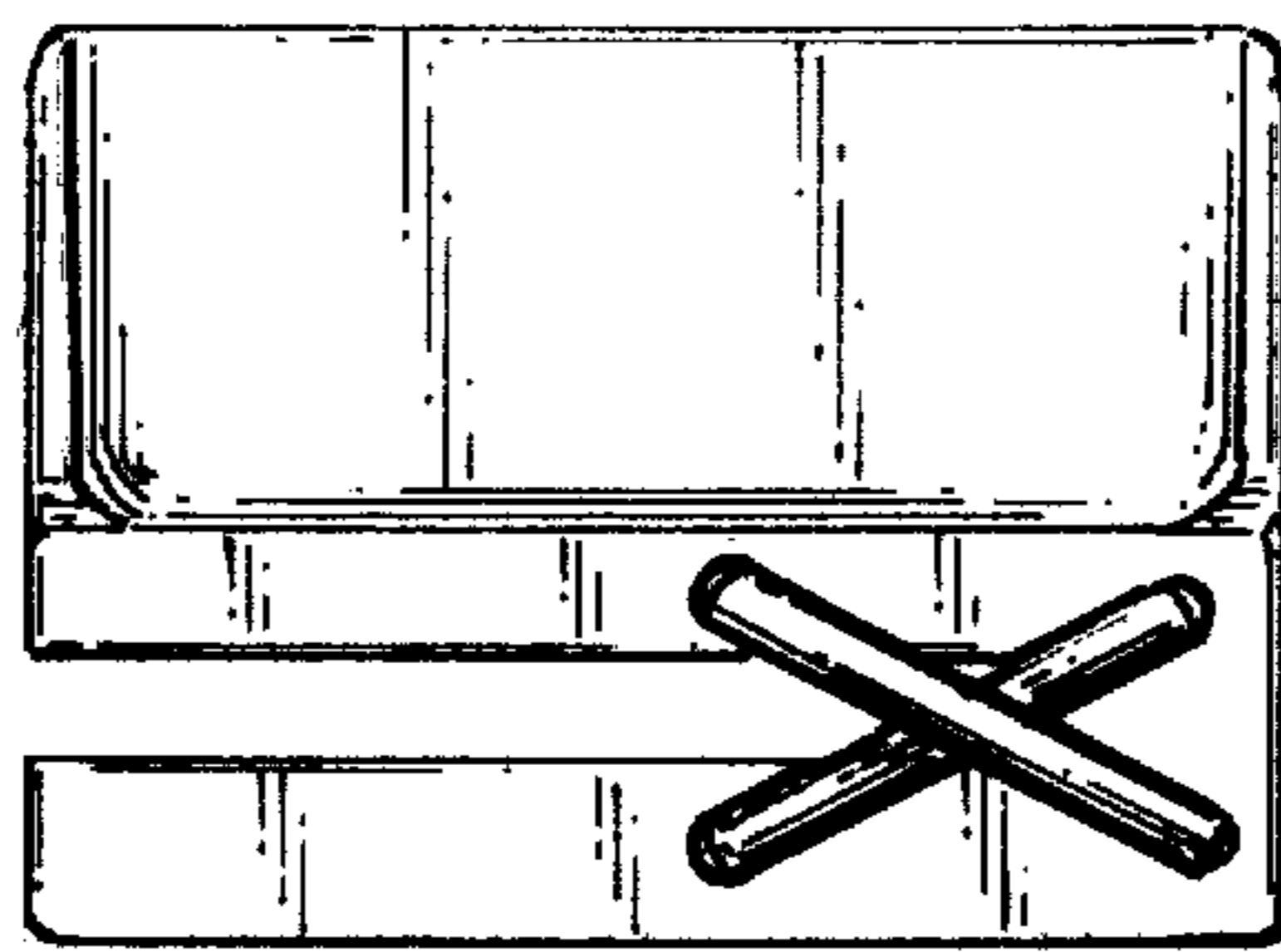


FIG. 2

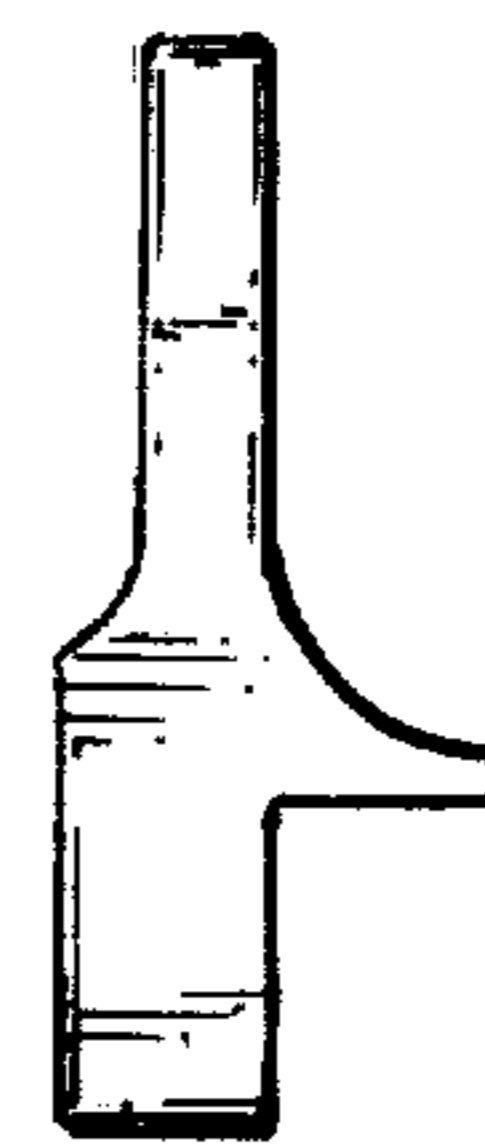


FIG. 7

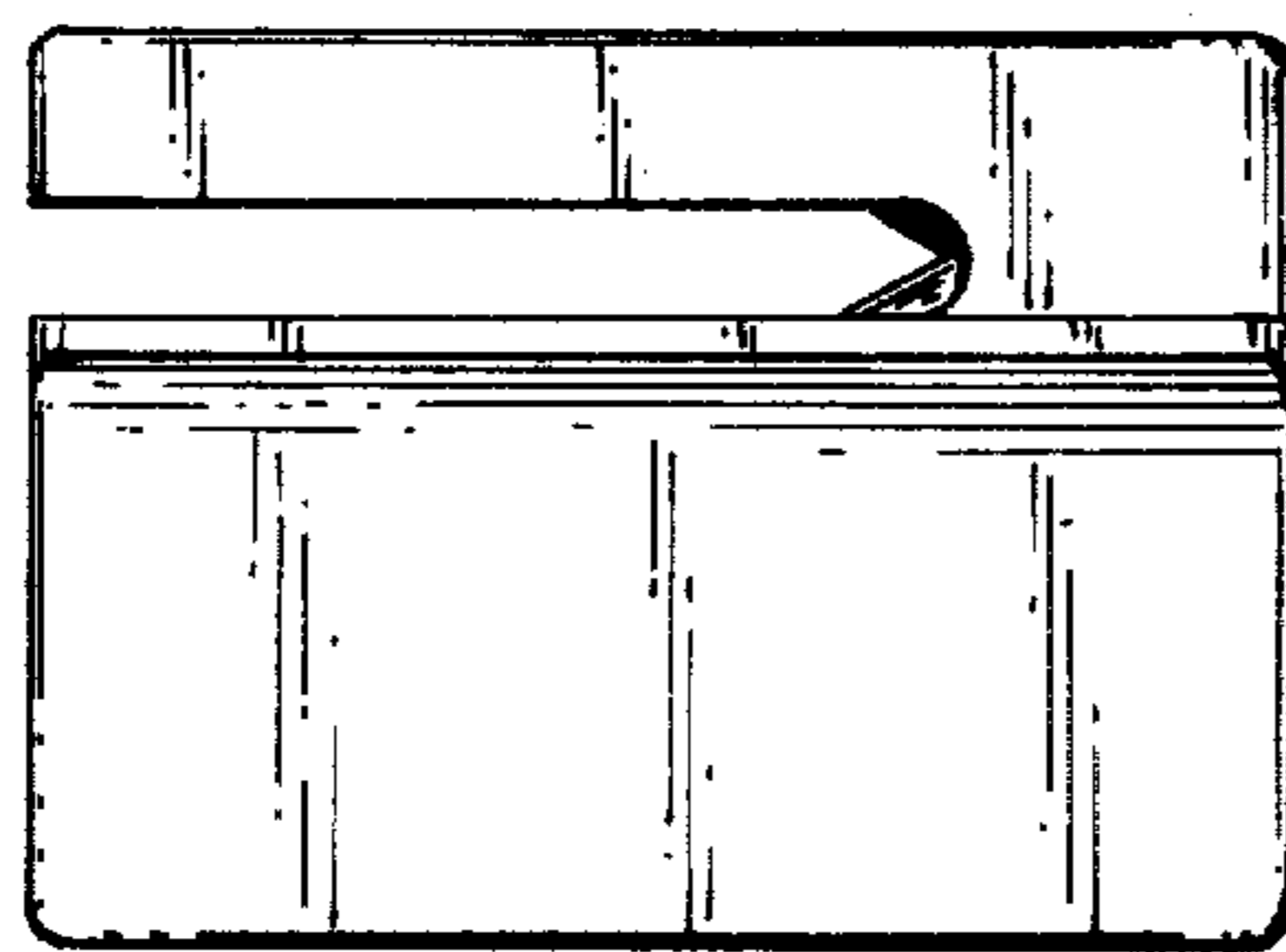


FIG. 3

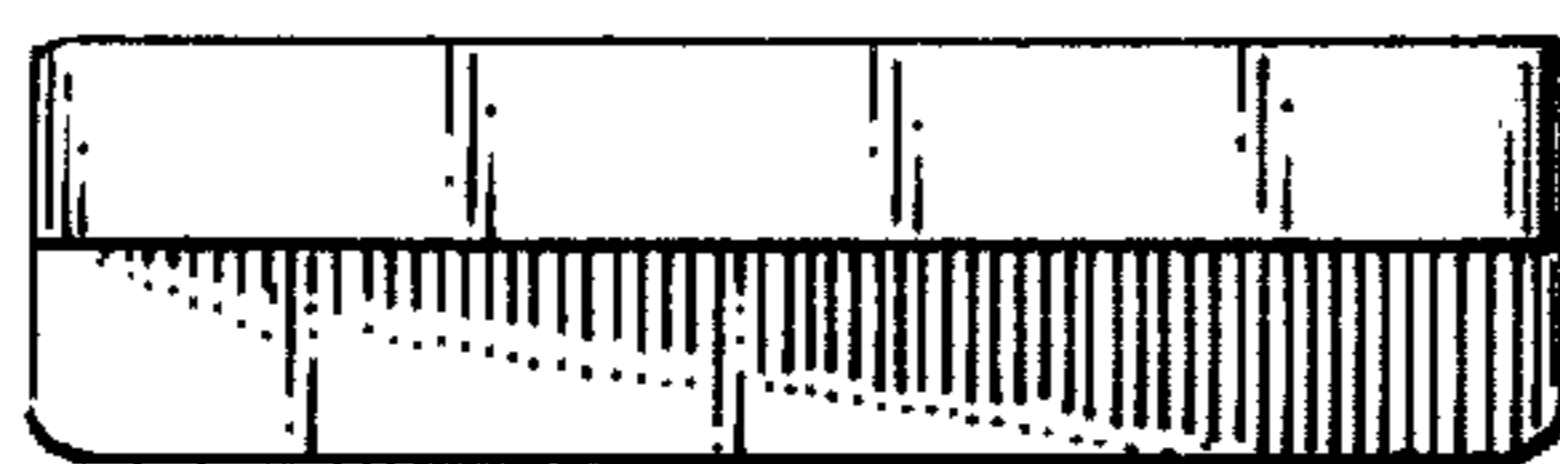


FIG. 4

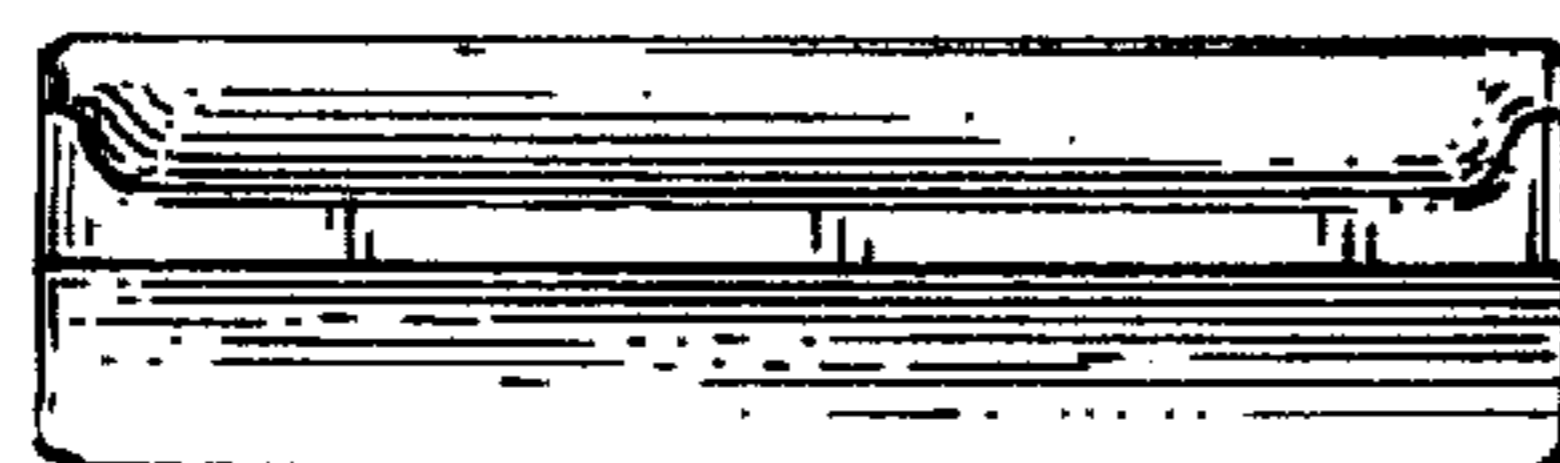


FIG. 5