

[54] FURNITURE ARM

[75] Inventor: James L. DiPersia, New York, N.Y.

[73] Assignee: Avento Designs, Inc., New York, N.Y.

[**] Term: 14 Years

[21] Appl. No.: 103,952

[22] Filed: Dec. 14, 1979

[51] Int. Cl. D6-06

[52] U.S. Cl. D6/194

[58] Field of Search D6/192, 63-78; 297/411, 419, 422

[56] References Cited

U.S. PATENT DOCUMENTS

D. 144,611	5/1946	Conway	D6/192
D. 160,060	9/1950	Bond, Jr.	D6/192
D. 192,243	2/1962	Williams	D6/192
D. 247,082	1/1978	Thompson et al.	D6/192

Primary Examiner—Bruce W. Dunkins
Attorney, Agent, or Firm—Hopgood, Calimafde, Kalil, Blaustein & Judlowe

[57] CLAIM

The ornamental design for a furniture arm, substantially as shown and described.

DESCRIPTION

FIG. 1 is a perspective view of a furniture arm showing my design;

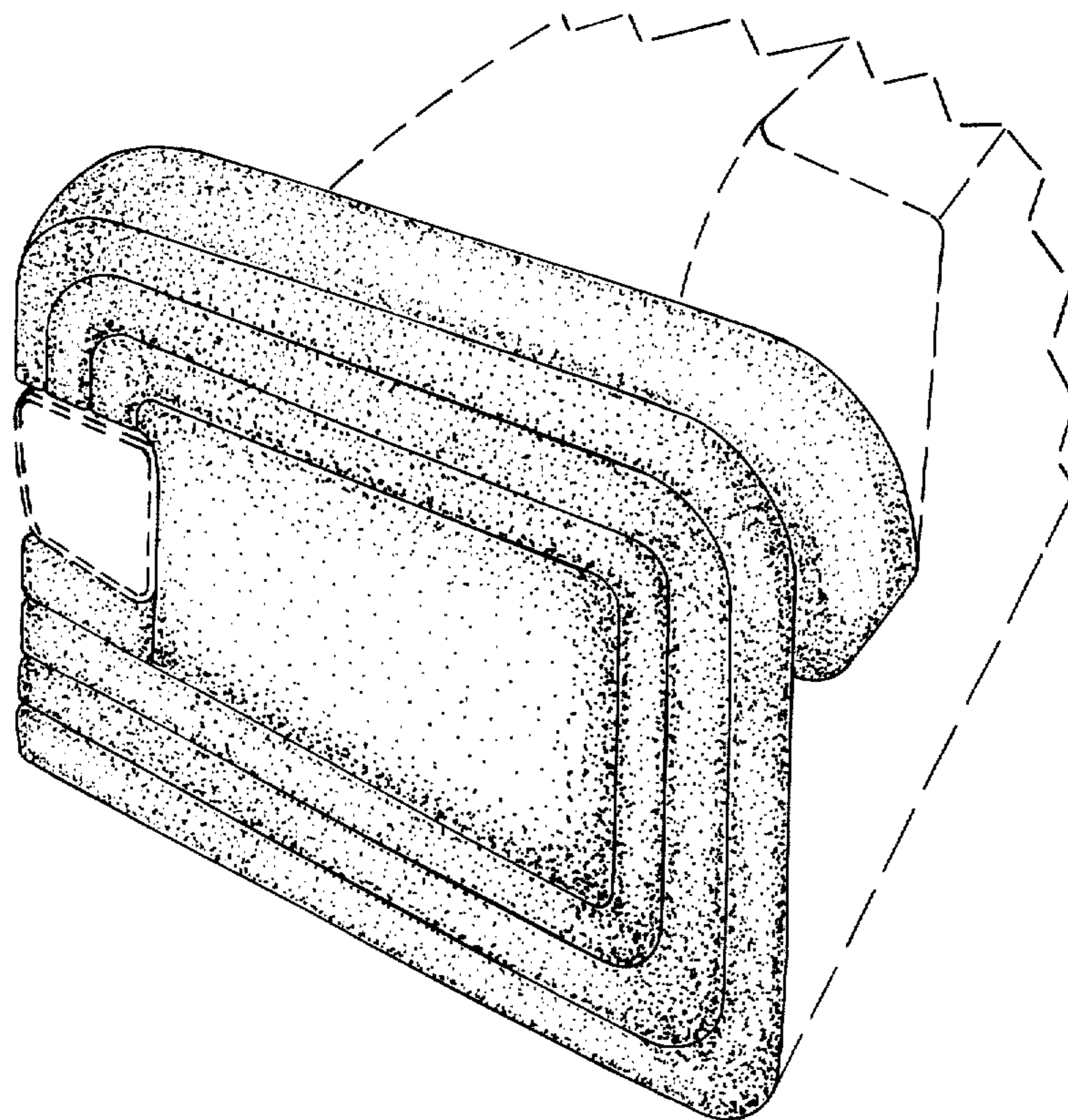
FIG. 2 is a front elevational view thereof on a reduced scale;

FIG. 3 is a top plan view of the furniture arm shown in FIG. 2; and

FIG. 4 is a rear elevational view thereof.

The broken lines shown in FIGS. 1 through 4 are for illustrative purposes only.

The undisclosed inner face of the furniture arm and those portions of the front and rear not shown in FIGS. 2 and 4 respectively are conventional in appearance.



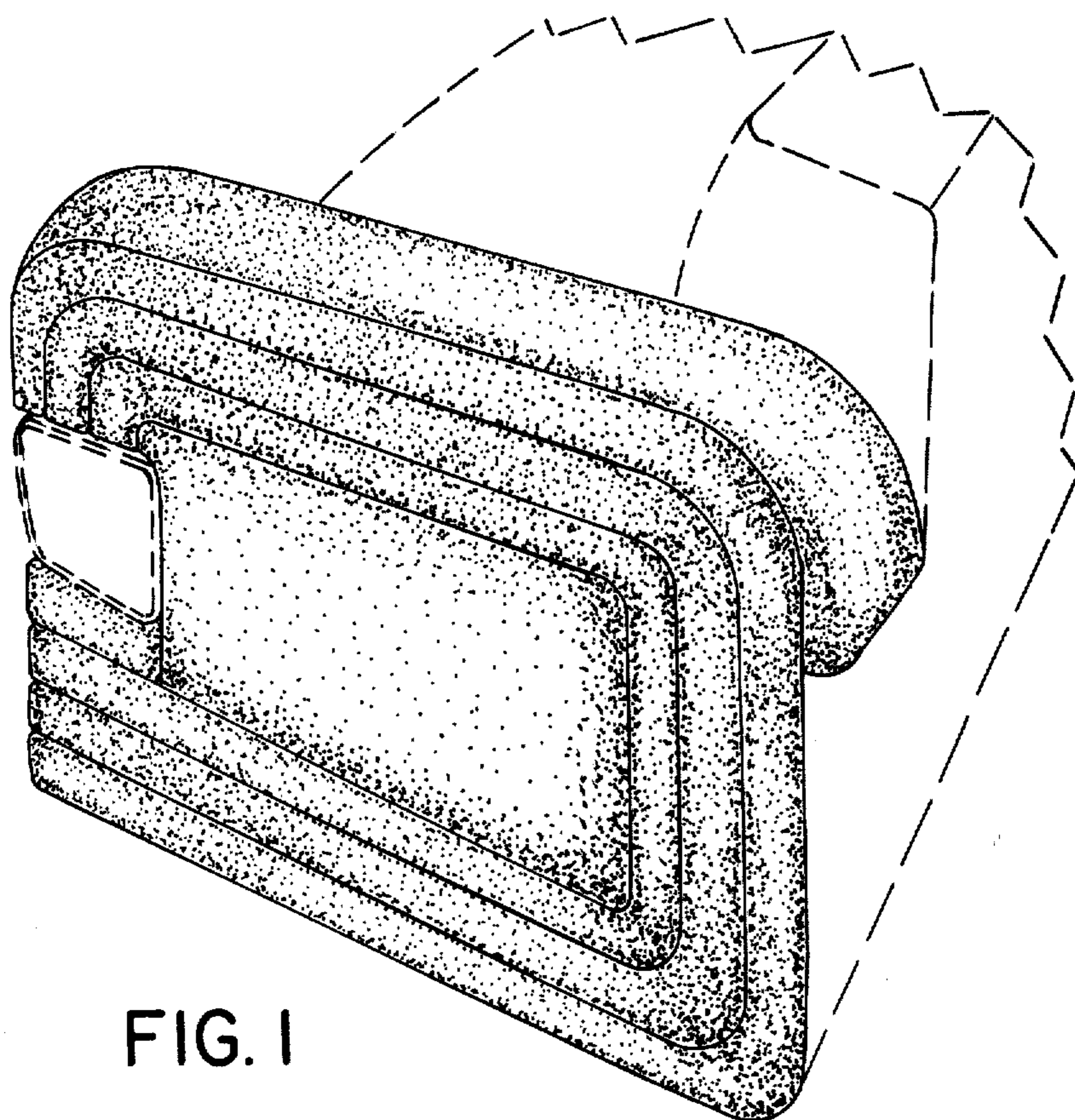


FIG. 1

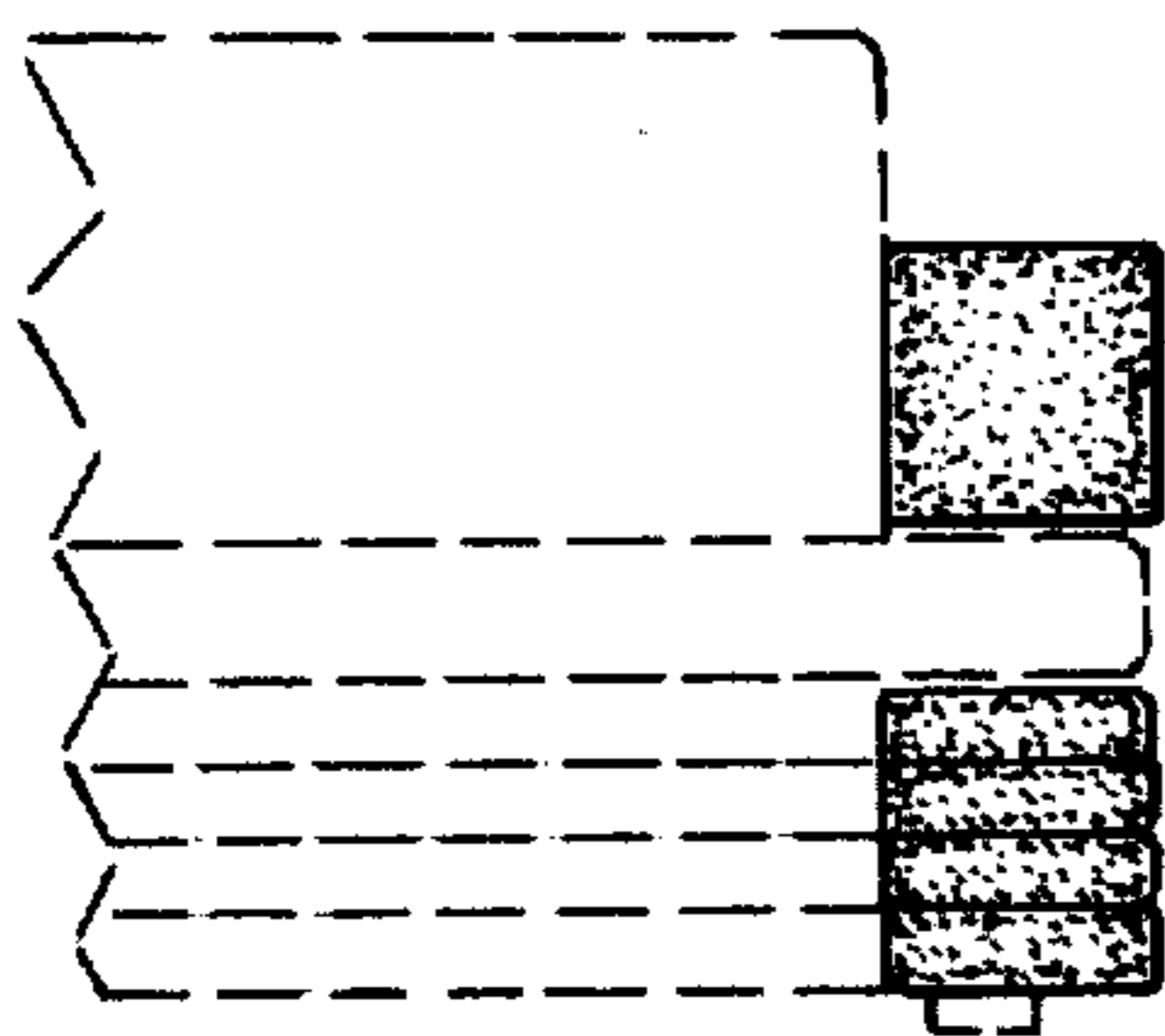


FIG. 2

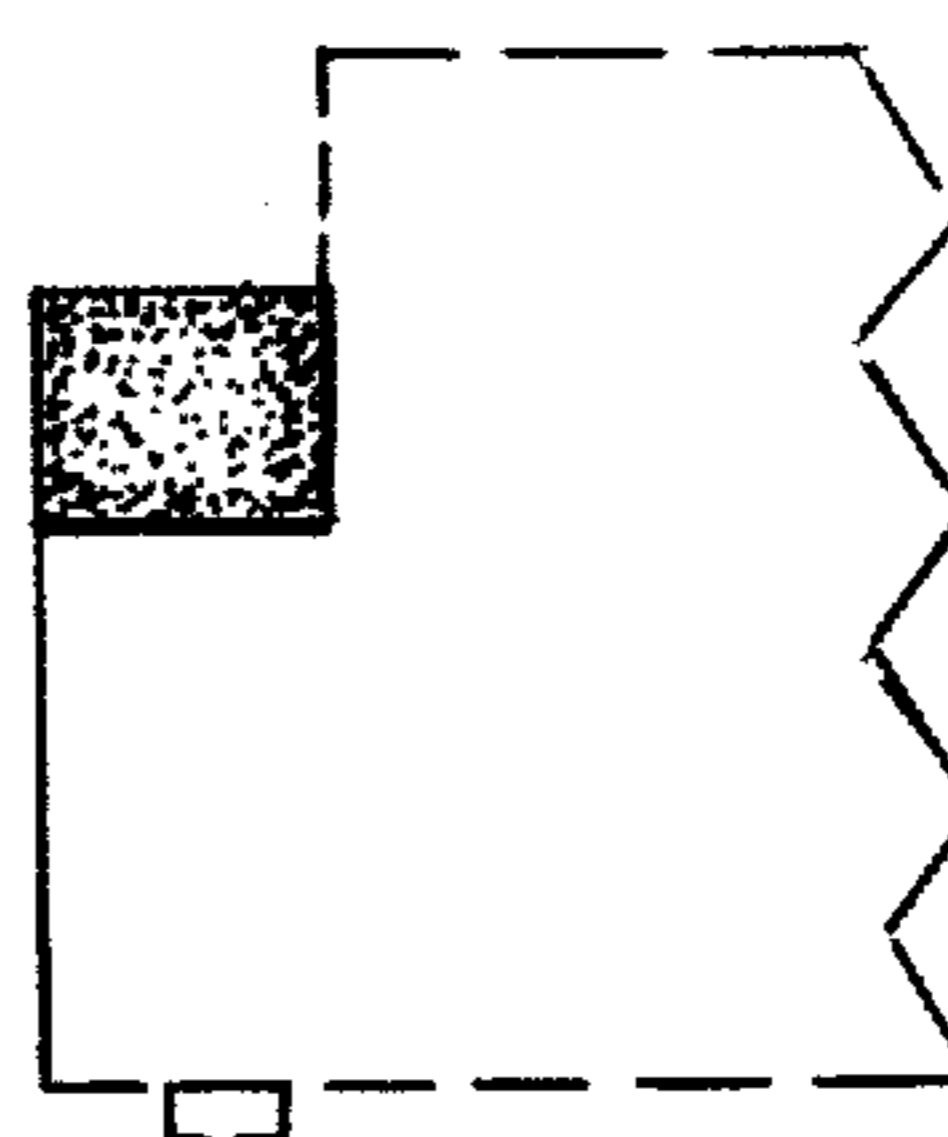


FIG. 4

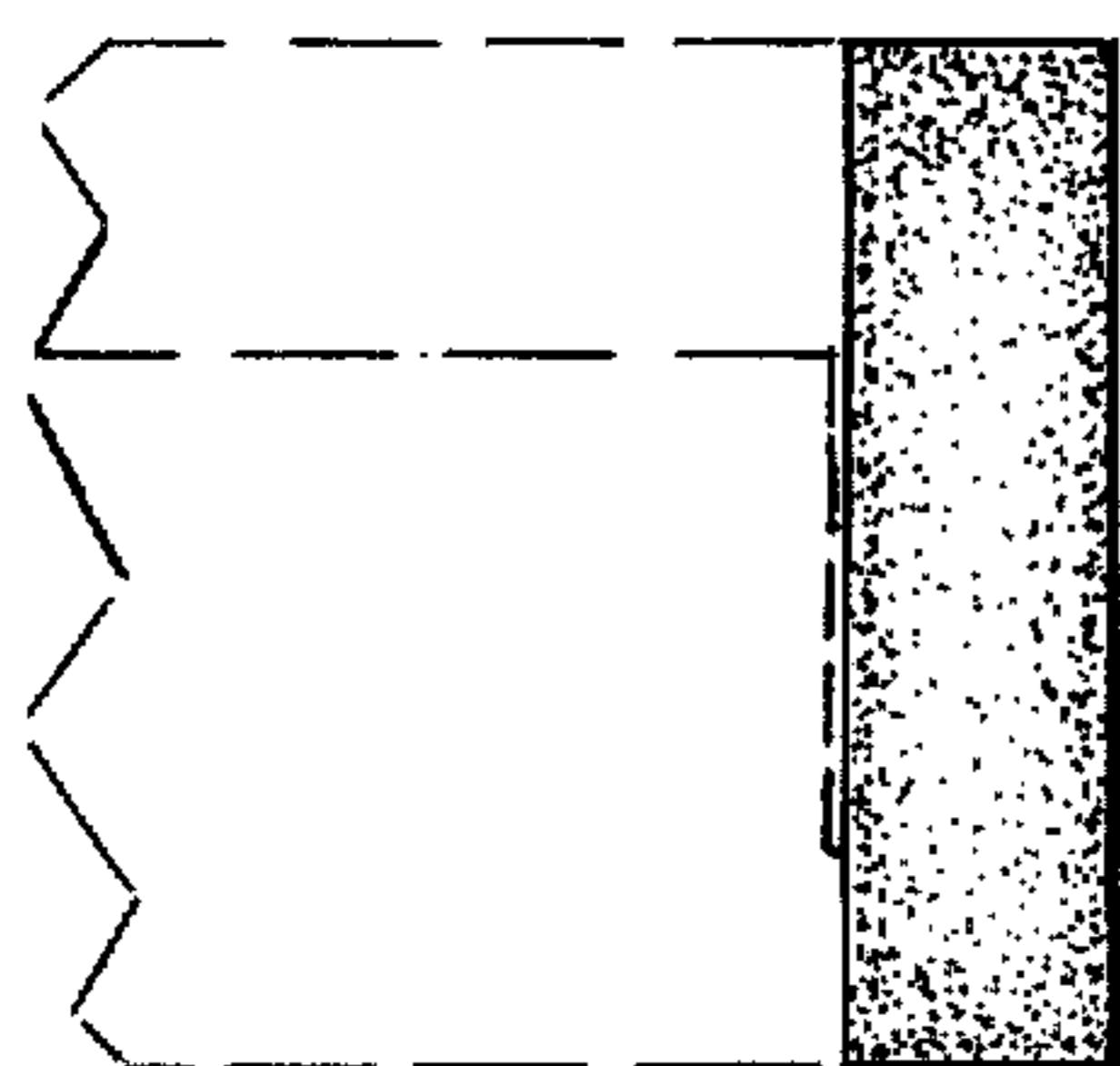


FIG. 3