

[54] FLOWER POT HOLDER

[76] Inventor: **Burton W. Hutchinson, 29770**
Wistaria Valley Rd., Canyon
Country, Calif. 91351

[**] Term: **14 Years**

[21] Appl. No.: **161,096**

[22] Filed: **Jun. 19, 1980**

[51] Int. Cl. **D6-04; D8-08**

[52] U.S. Cl. **D6/137; D6/114;**
D8/373

[58] Field of Search **D6/113, 114, 125, 137;**
D8/373; 47/39, 40; 248/312.1, 309 R, 311.2,
312; 211/60 R, 74, 75

[56] **References Cited**

U.S. PATENT DOCUMENTS

D. 248,910 8/1978 De Filippo D6/137

D. 258,330 2/1981 Bosley D8/373
1,873,297 8/1932 Davenport 248/312.1
3,193,234 7/1965 Thurman et al. 248/312.1
4,071,976 2/1978 Chernewski 47/39

Primary Examiner—B. J. Bullock
Attorney, Agent, or Firm—Warren T. Jessup

[57] **CLAIM**

The ornamental design of a flower pot holder, substantially as shown and described.

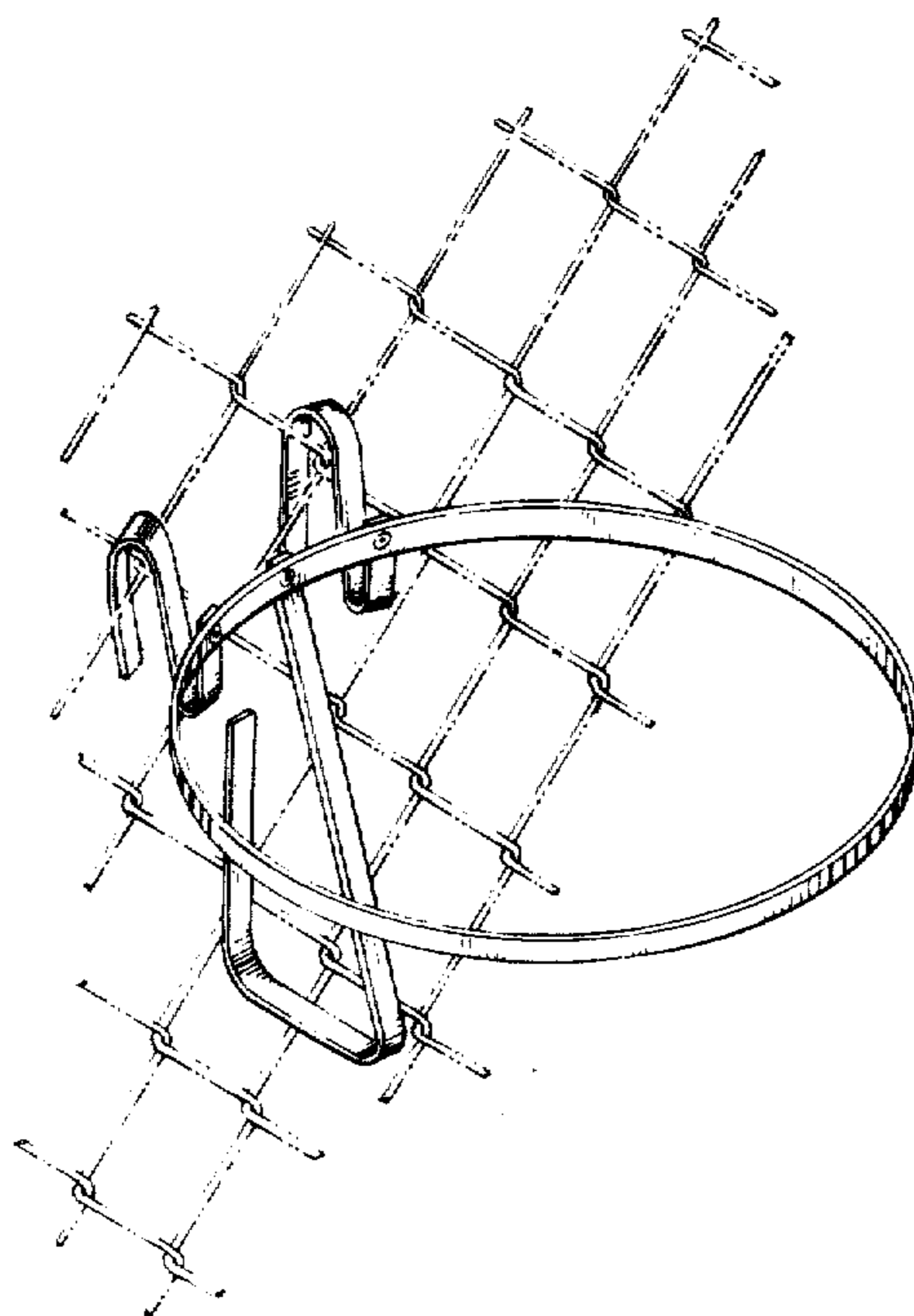
DESCRIPTION

FIG. 1 is a perspective view of a flower pot holder showing my new design, the portion of a chain link fence being shown in broken lines for illustrative purposes only;

FIG. 2 is a top plan view thereof;

FIG. 3 is a side elevational view taken from the right of FIG. 2;

FIG. 4 is a front elevational view thereof.



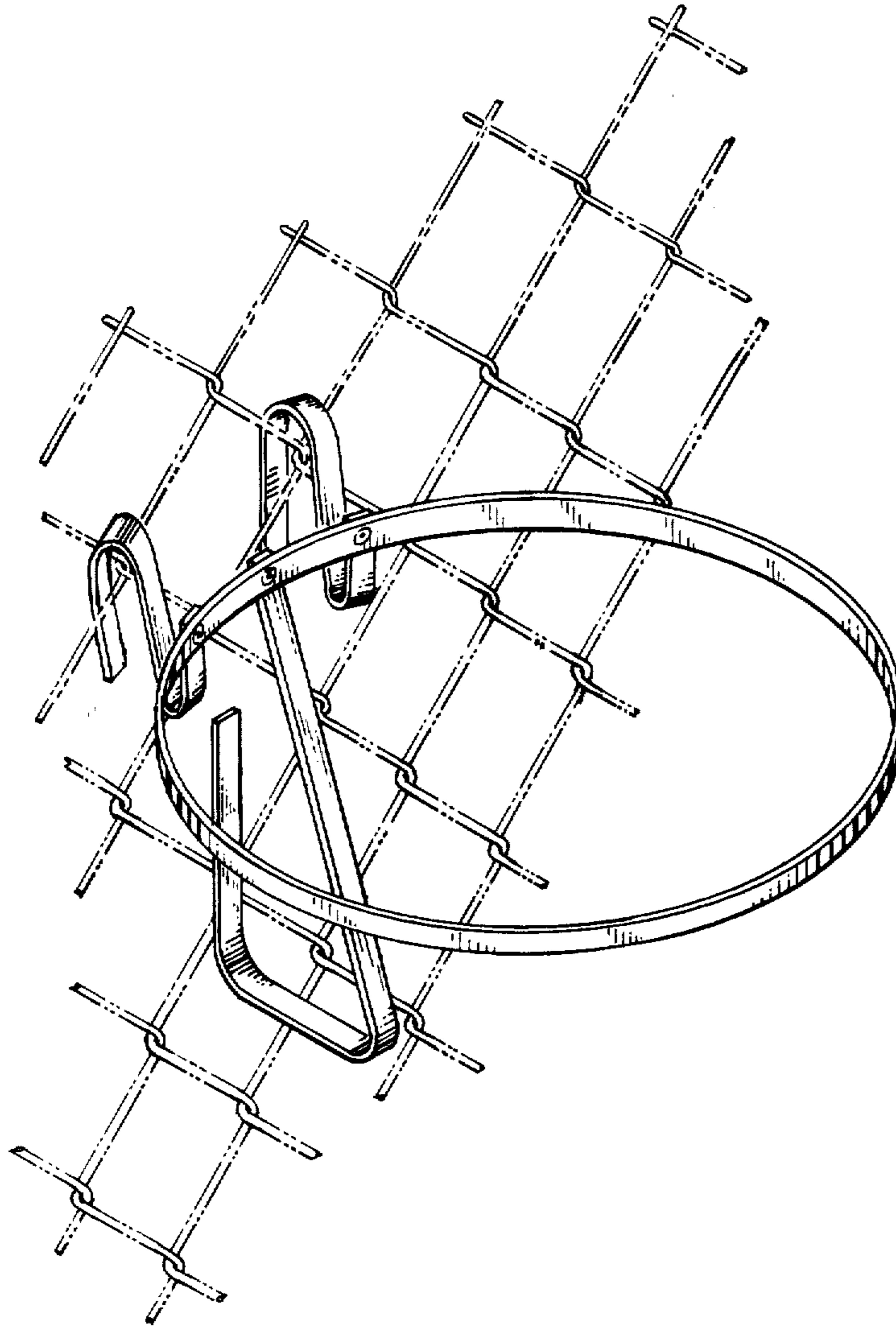


FIG. 1

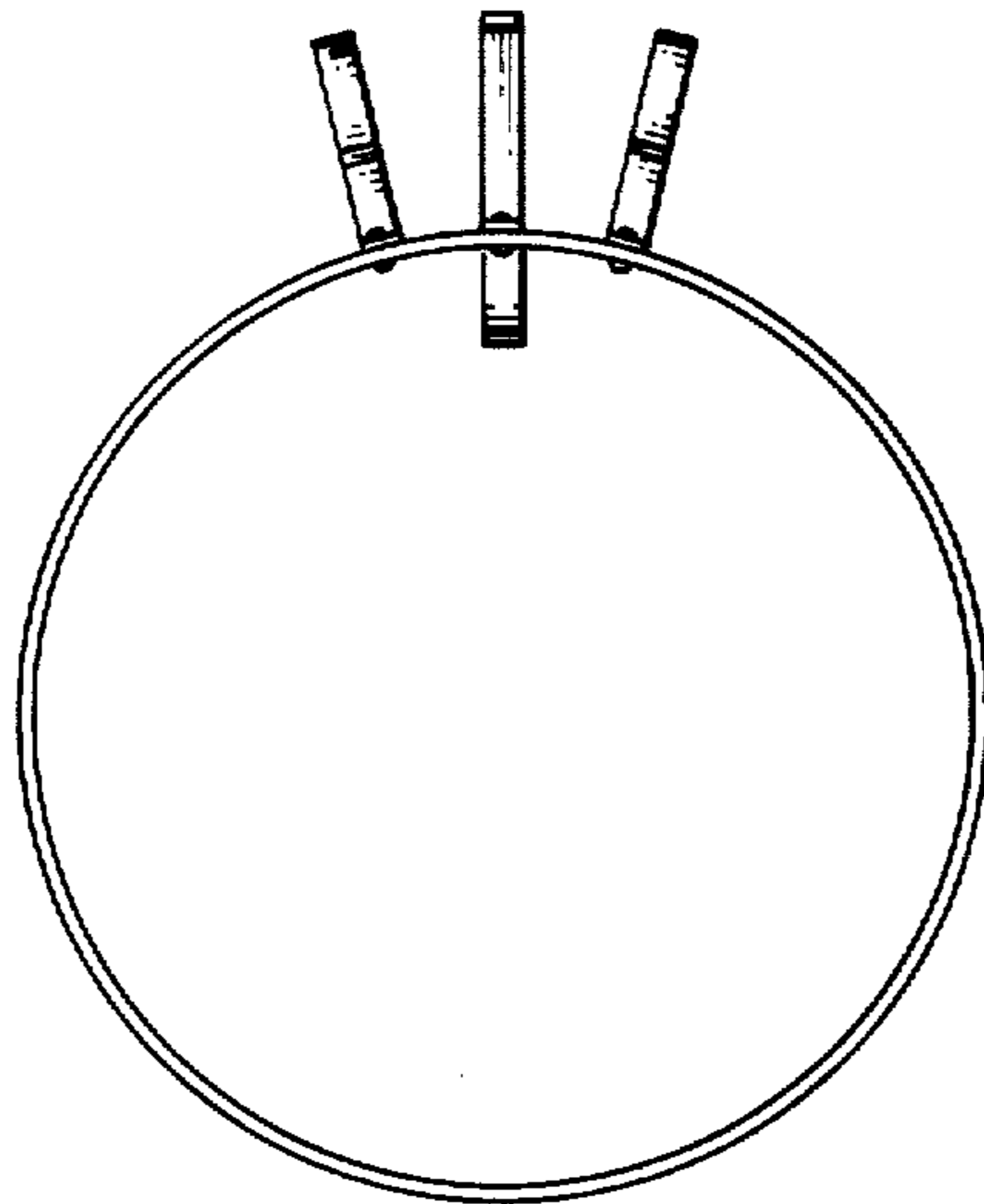


FIG. 2

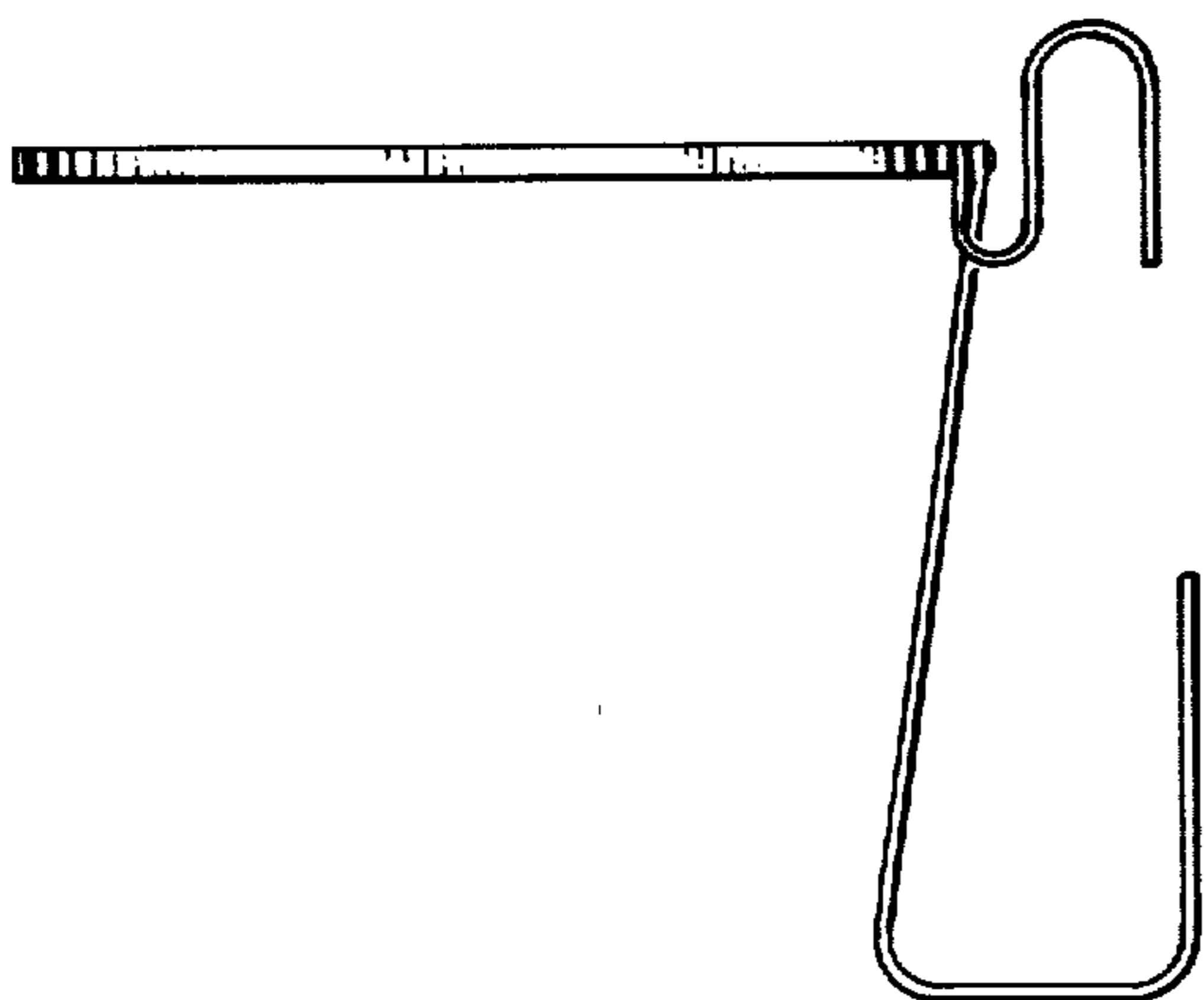


FIG. 3

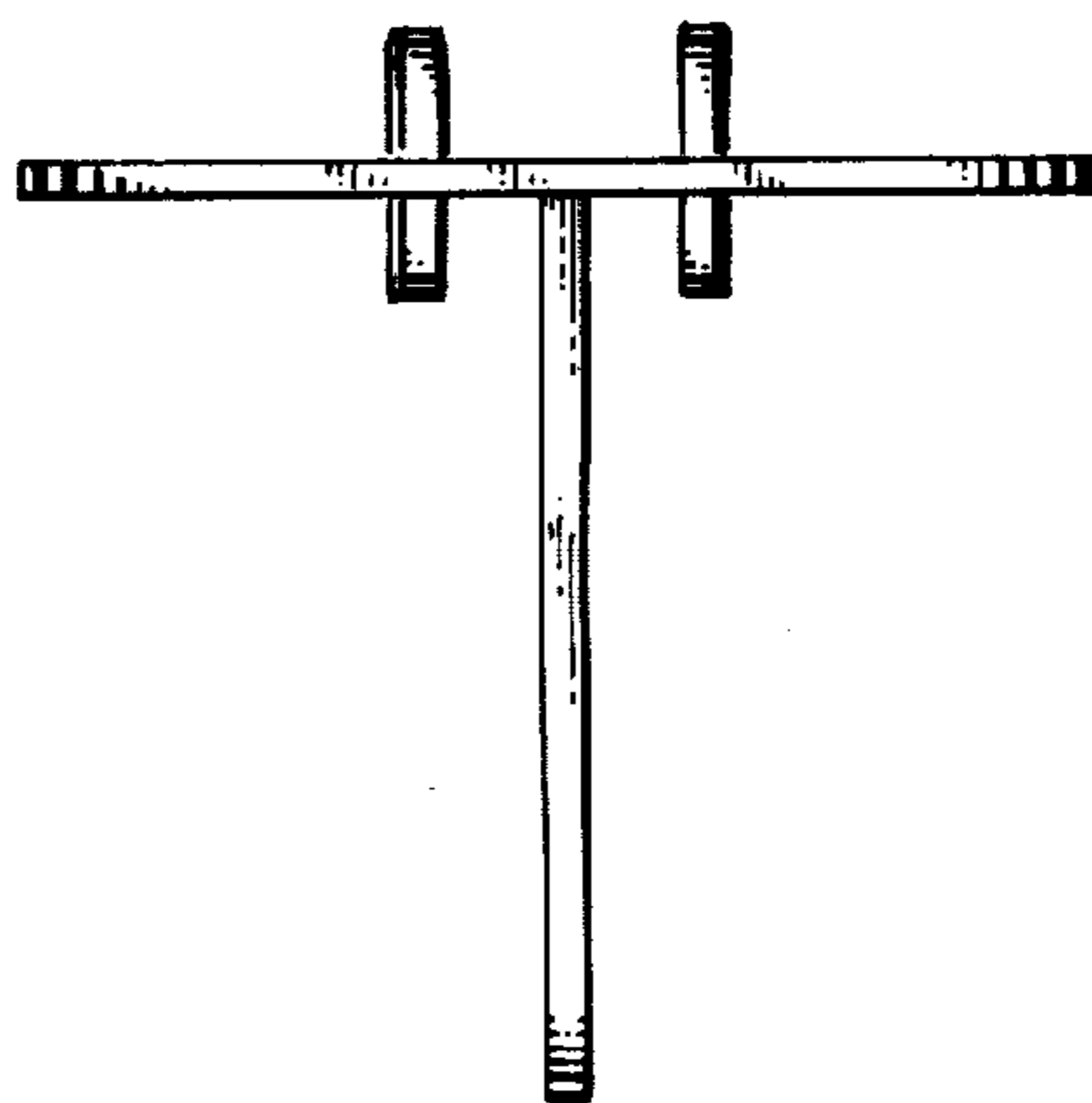


FIG. 4