

[54] **GOLF CLUB CARRIER**
 [75] Inventor: **Roberto J. Baptista**, Caracas, Venezuela
 [73] Assignee: **Roanto Investment N.V.**, Caracas, Venezuela
 [**] Term: **14 Years**
 [21] Appl. No.: **178,761**
 [22] Filed: **Aug. 18, 1980**
 [51] Int. Cl. **D3-02**
 [52] U.S. Cl. **D3/37**
 [58] Field of Search **D3/30.1, 36-38; 150/1.5 R, 1.5 B; 206/315; 294/146, 159; 224/917, 922; D21/234**

2,791,255 5/1957 Ogden 150/1.5 R
 4,133,467 1/1979 Macknesh D3/37
 4,154,274 5/1979 Adamson D3/37

Primary Examiner—George P. Word
Attorney, Agent, or Firm—Dennison, Meserole, Pollack & Scheiner

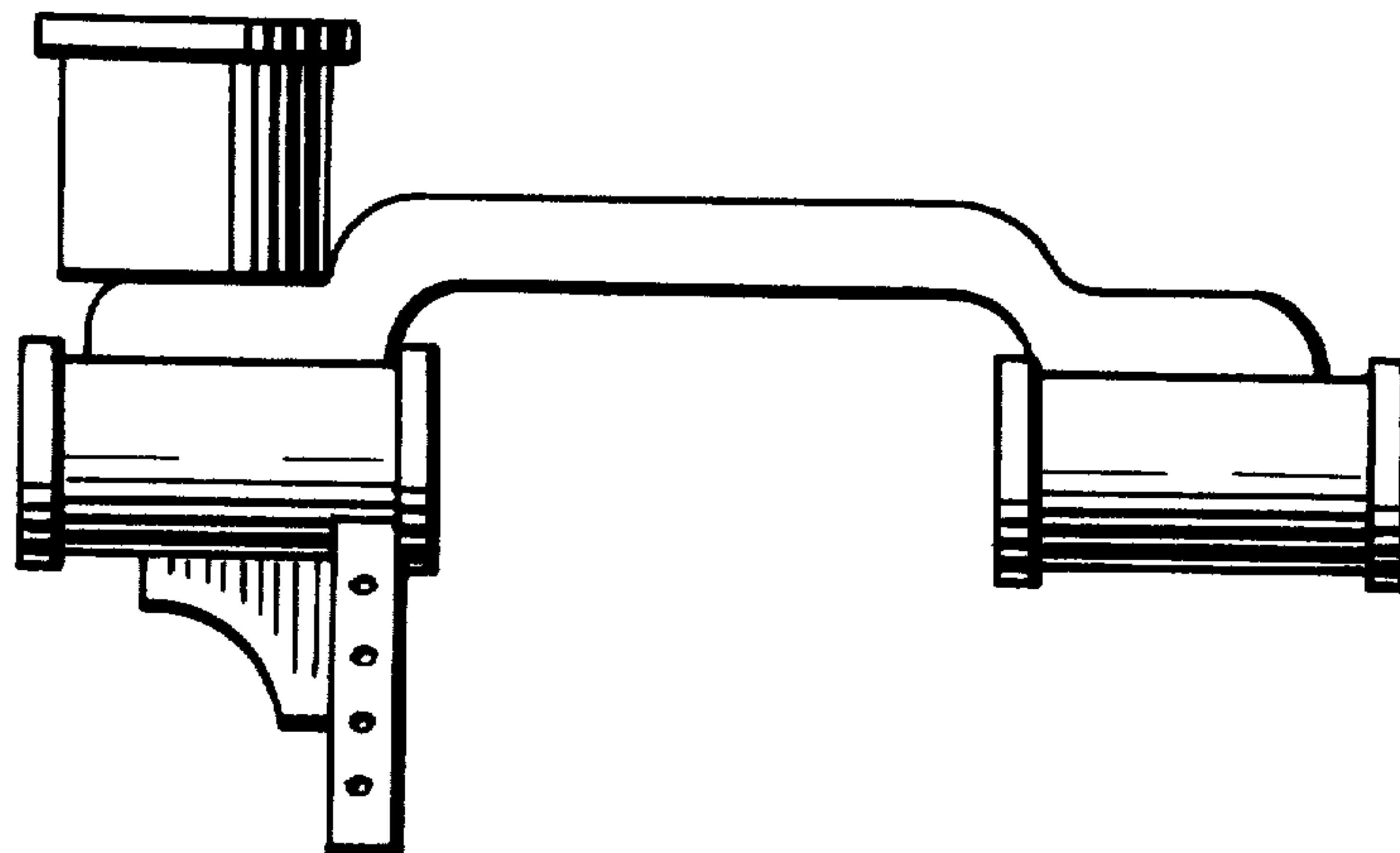
[57] **CLAIM**

The ornamental design for a golf club carrier, as shown and described.

DESCRIPTION

FIG. 1 is a perspective view of a golf club carrier showing my new design;
 FIG. 2 is a top plan view thereof;
 FIG. 3 is a rear elevational view thereof;
 FIG. 4 is a bottom plan view thereof;
 FIG. 5 is a left end elevational view thereof; and
 FIG. 6 is a right end elevational view thereof.
 The broken line showing of a golf club is environmental structure and is not part of the design.

[56] **References Cited**
U.S. PATENT DOCUMENTS
 D. 200,161 1/1965 Hvale et al. D3/38



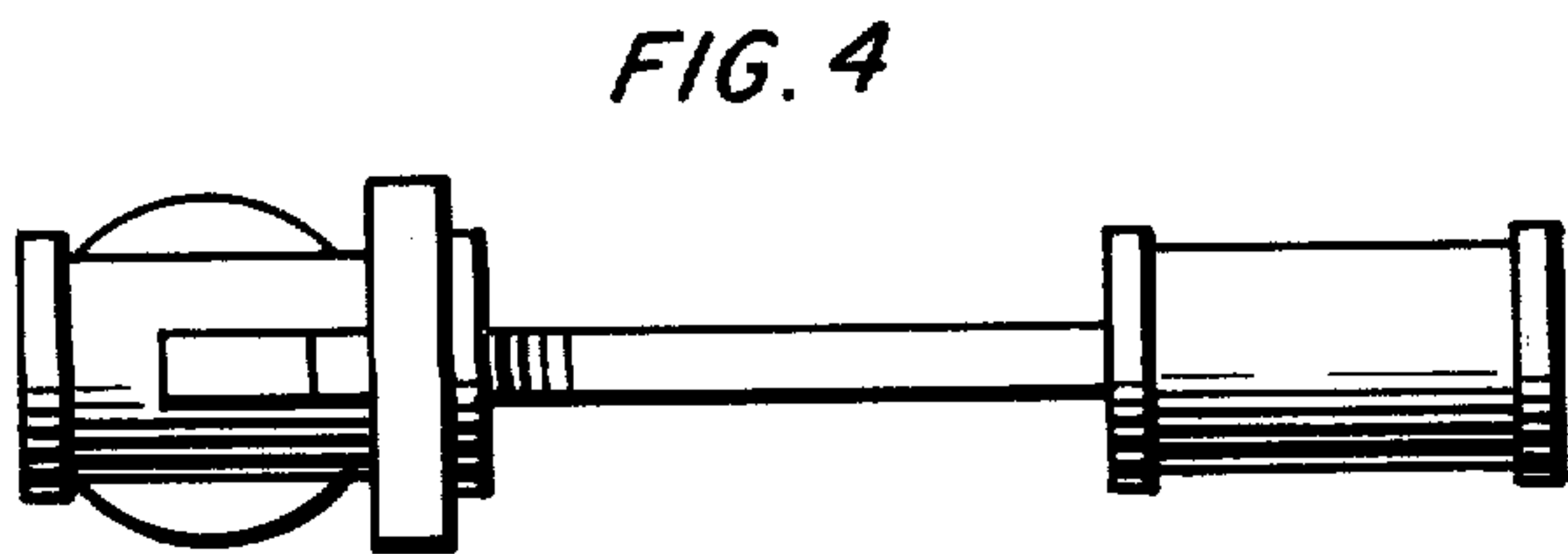
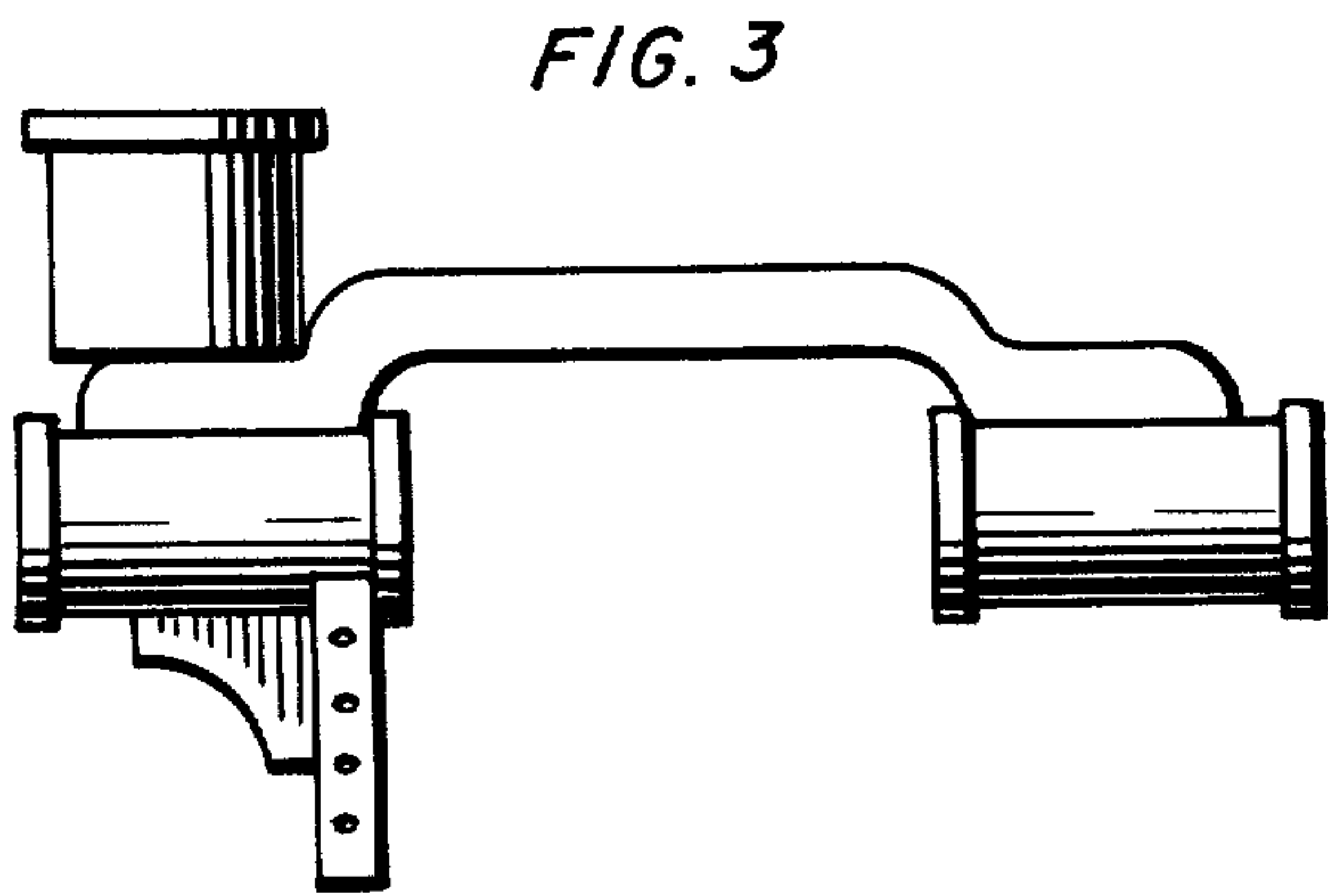
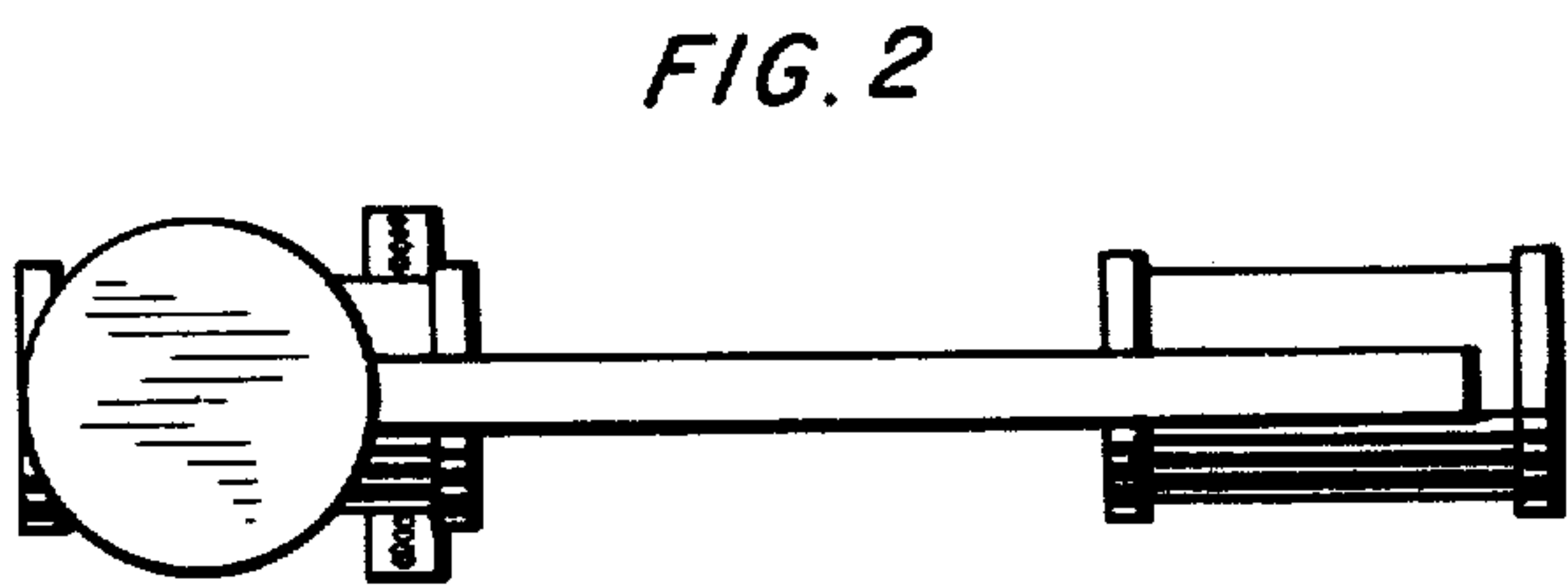
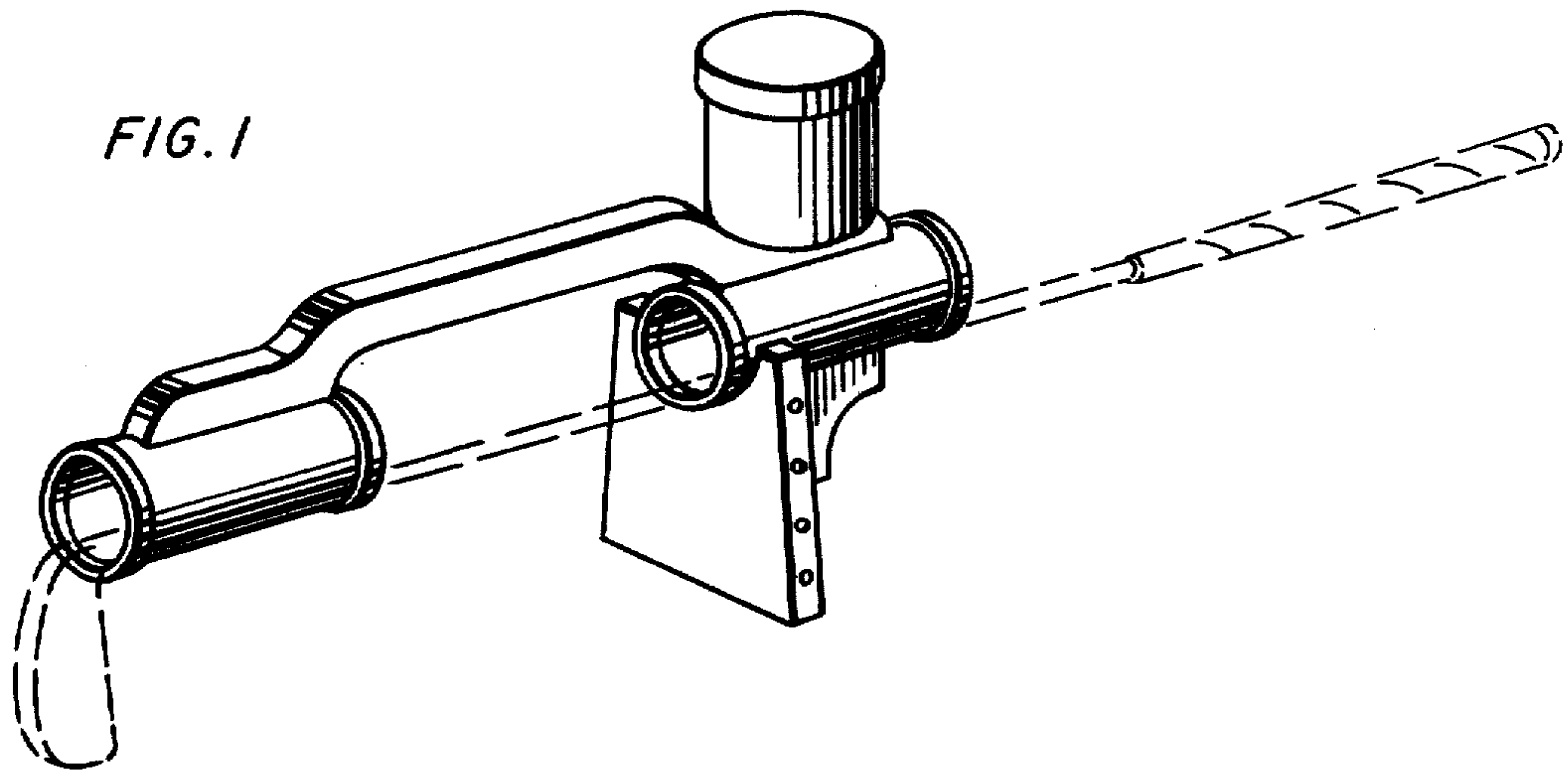


FIG. 5

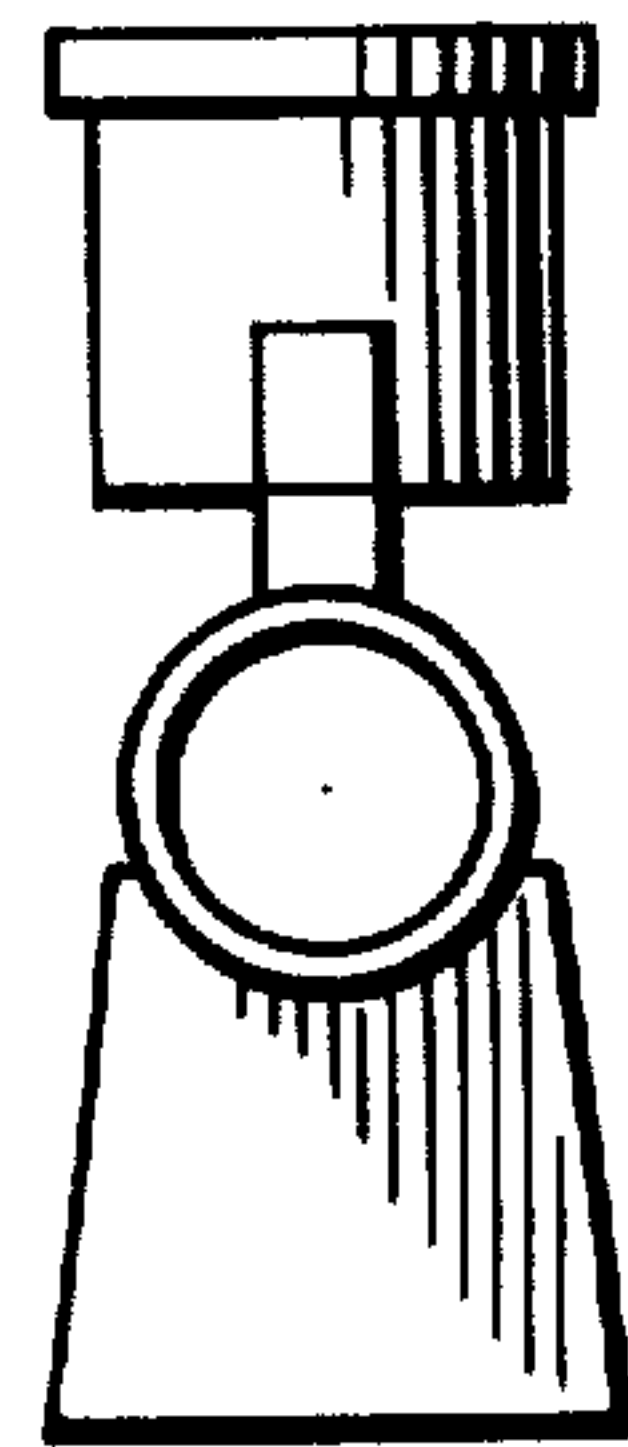


FIG. 6

