

[54] BUILDING BLOCK

[76] Inventor: Jose Coelho dos Santos, Estrada dos Arneiros, 46-1° Dto., Lisbon, Portugal

[**] Term: 14 Years

[21] Appl. No.: 188,015

[22] Filed: Sep. 17, 1980

[30] Foreign Application Priority Data

Mar. 25, 1980 [PT] Portugal 15046

[51] Int. Cl. D25-01

[52] U.S. Cl. D25/80; D25/87; D25/91

[58] Field of Search 52/169, 258, 286, 590-596; D25/80, 87-91

[56]

References Cited

U.S. PATENT DOCUMENTS

2,294,776	9/1942	Freeman	D25/91	X
2,610,503	9/1952	Hall	D25/91	X
4,121,397	10/1978	Marcocci et al.	D25/80	X

Primary Examiner—A Hugo Word
Attorney, Agent, or Firm—Birch, Stewart, Kolasch & Birch

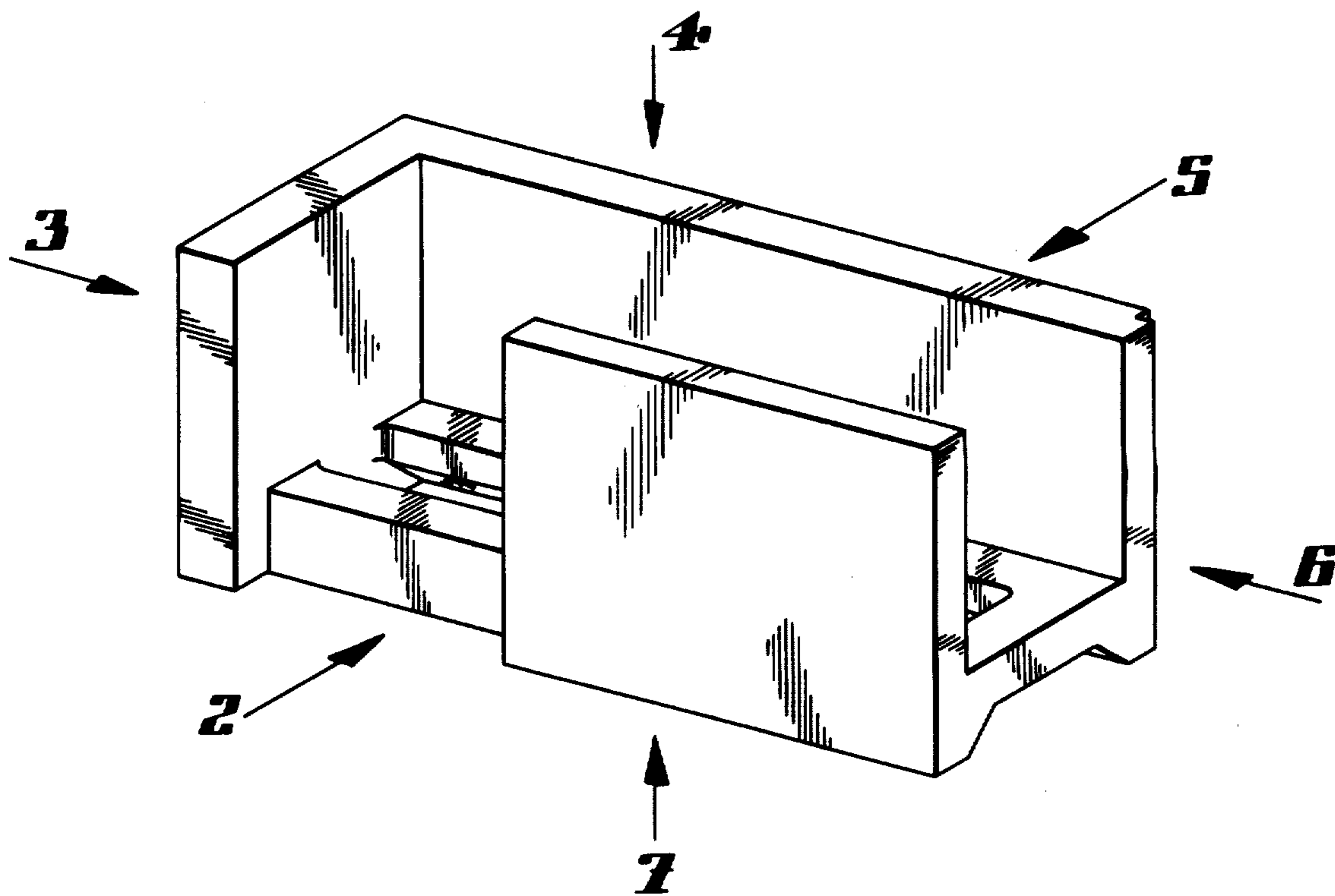
[57]

CLAIM

The ornamental design for a building block, as shown.

DESCRIPTION

FIG. 1 is a perspective view of the building block; FIG. 2 is a front elevational view thereof; FIG. 3 is a left side elevational view thereof; FIG. 4 is a top plan view thereof; FIG. 5 is a back elevational view thereof; FIG. 6 is a right side elevational view thereof; and FIG. 7 is a bottom plan view thereof.



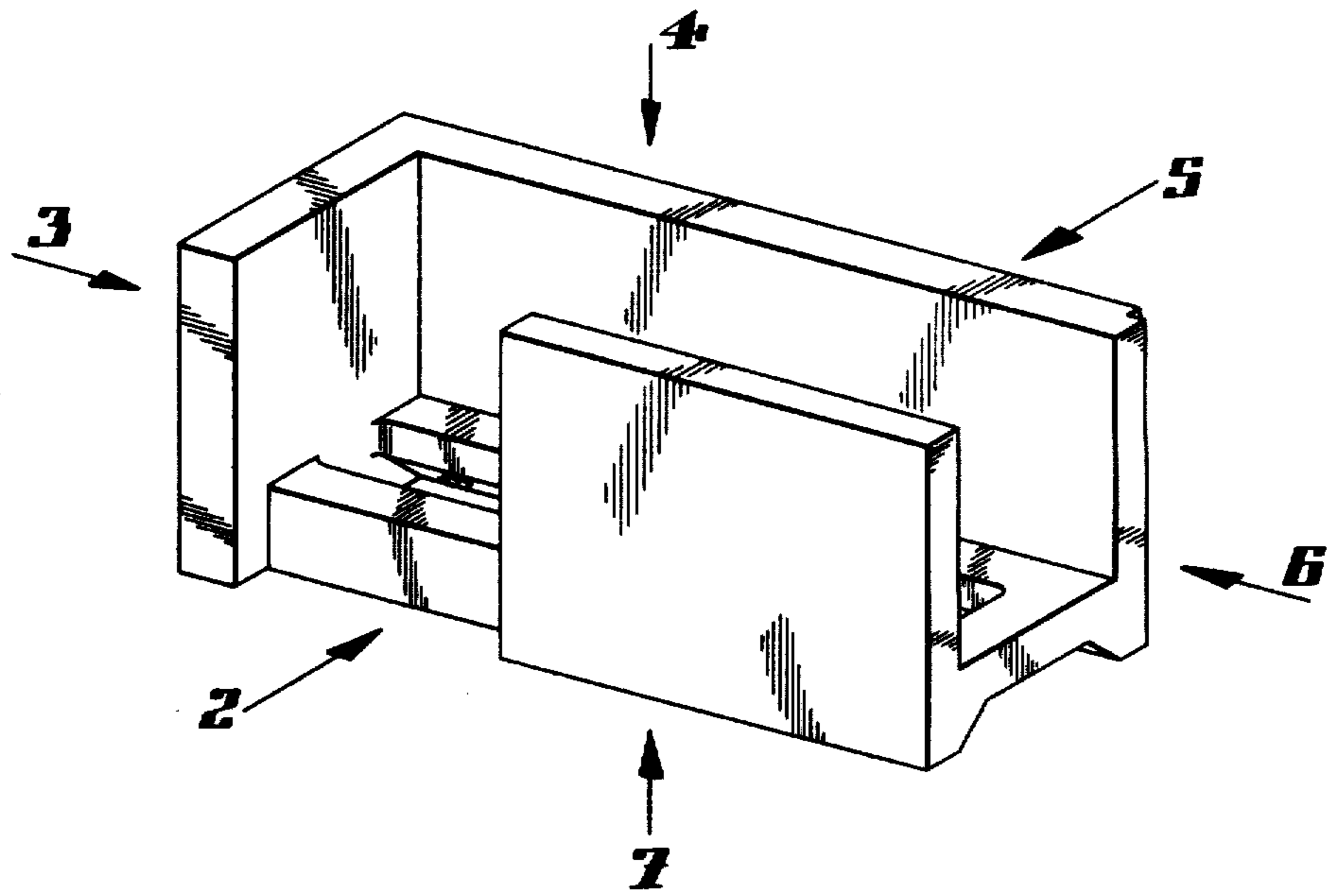


Fig. 1

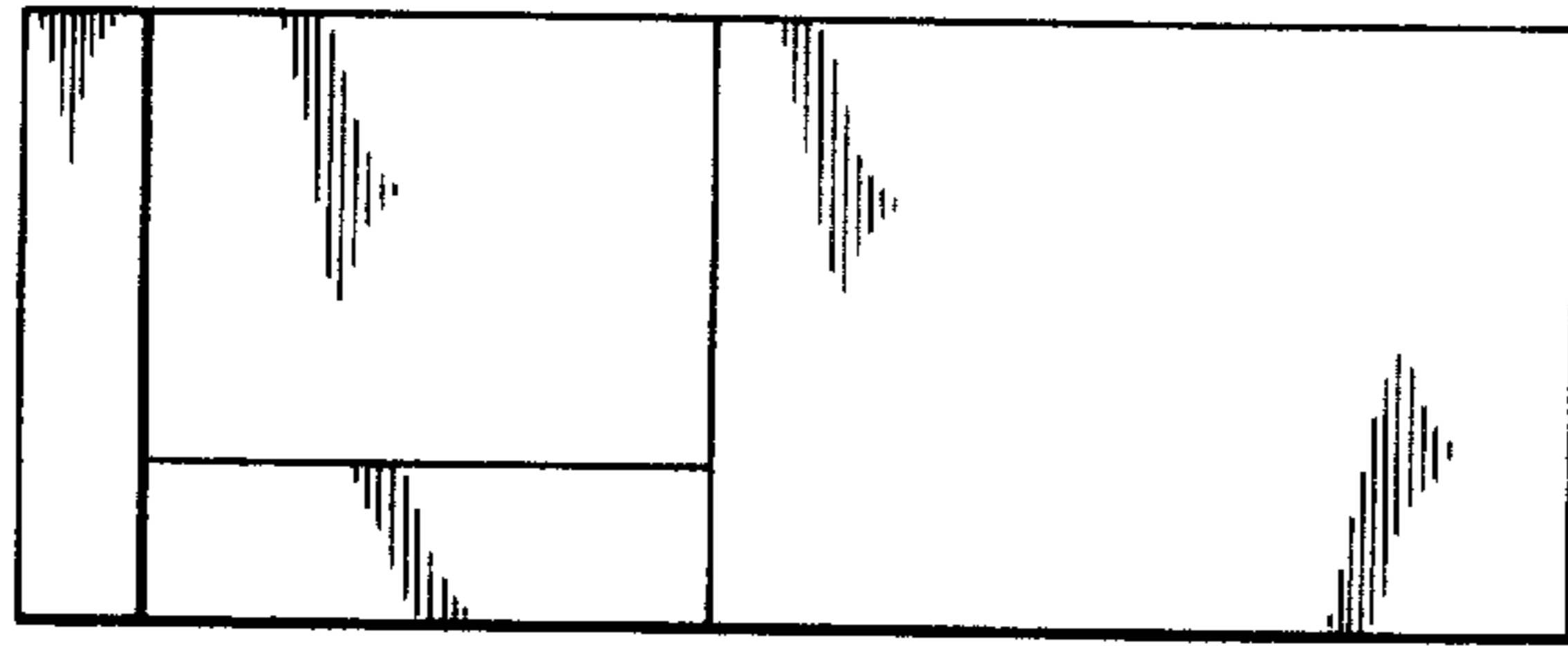


Fig. 2

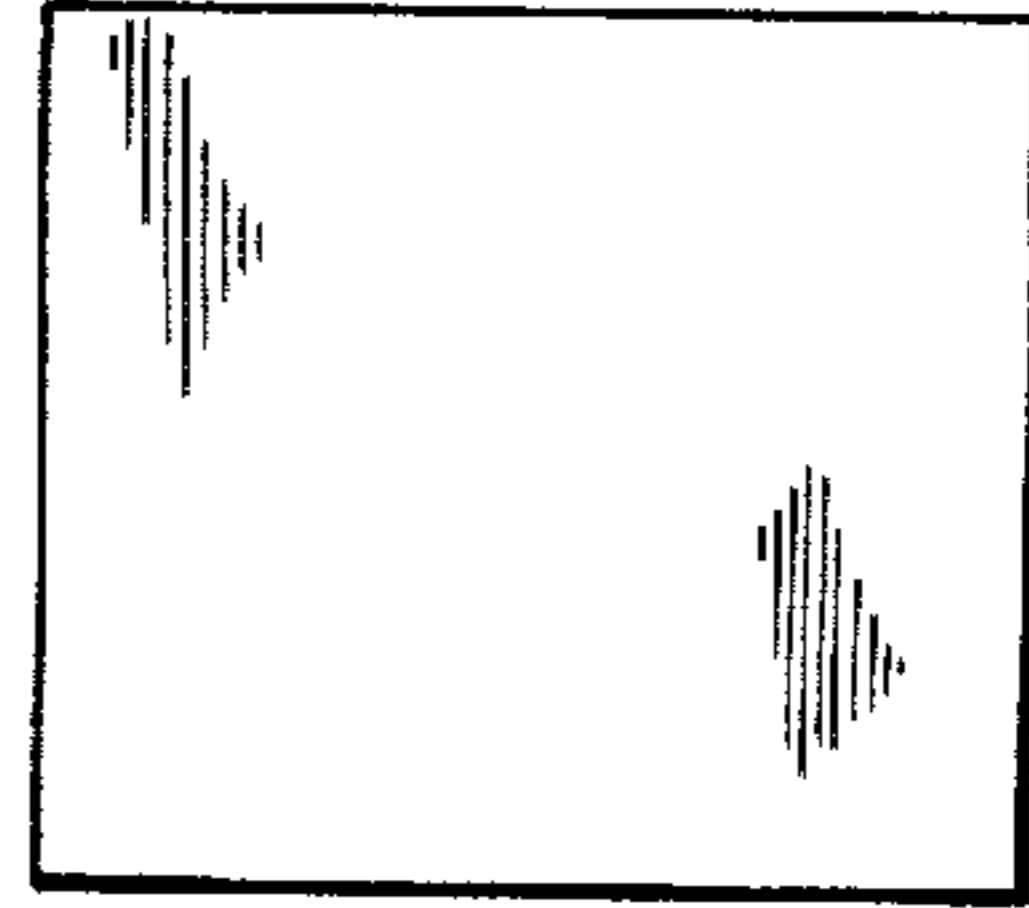


Fig. 3

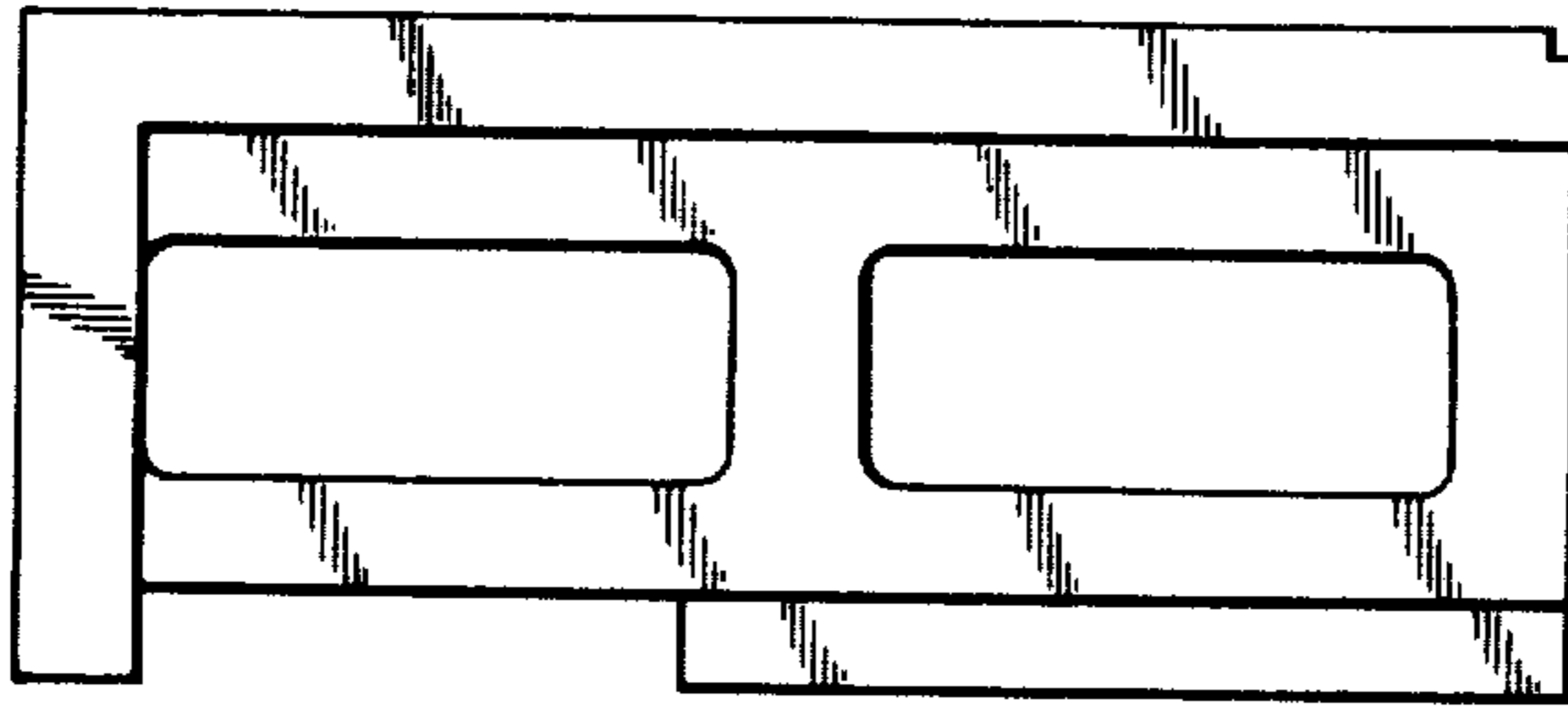


Fig. 4

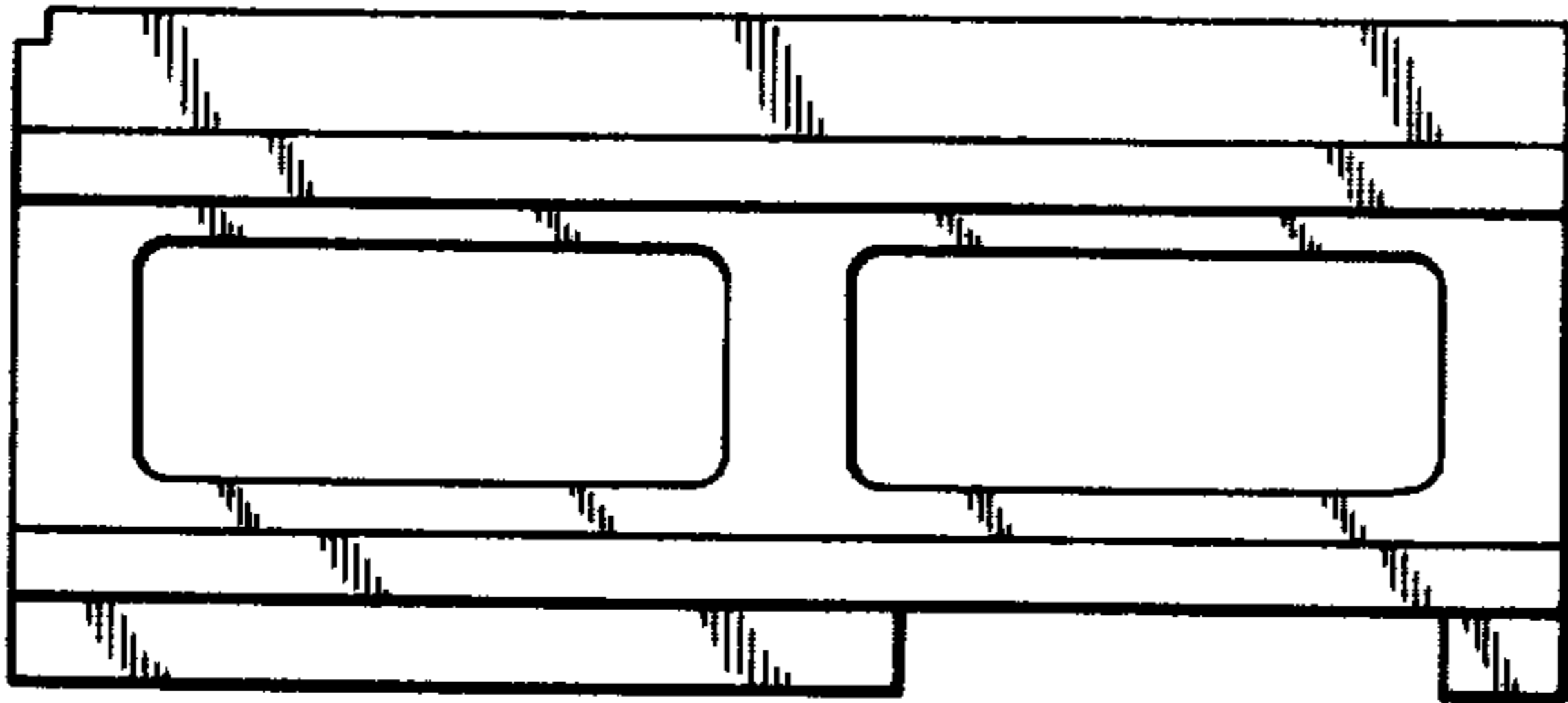


Fig. 5

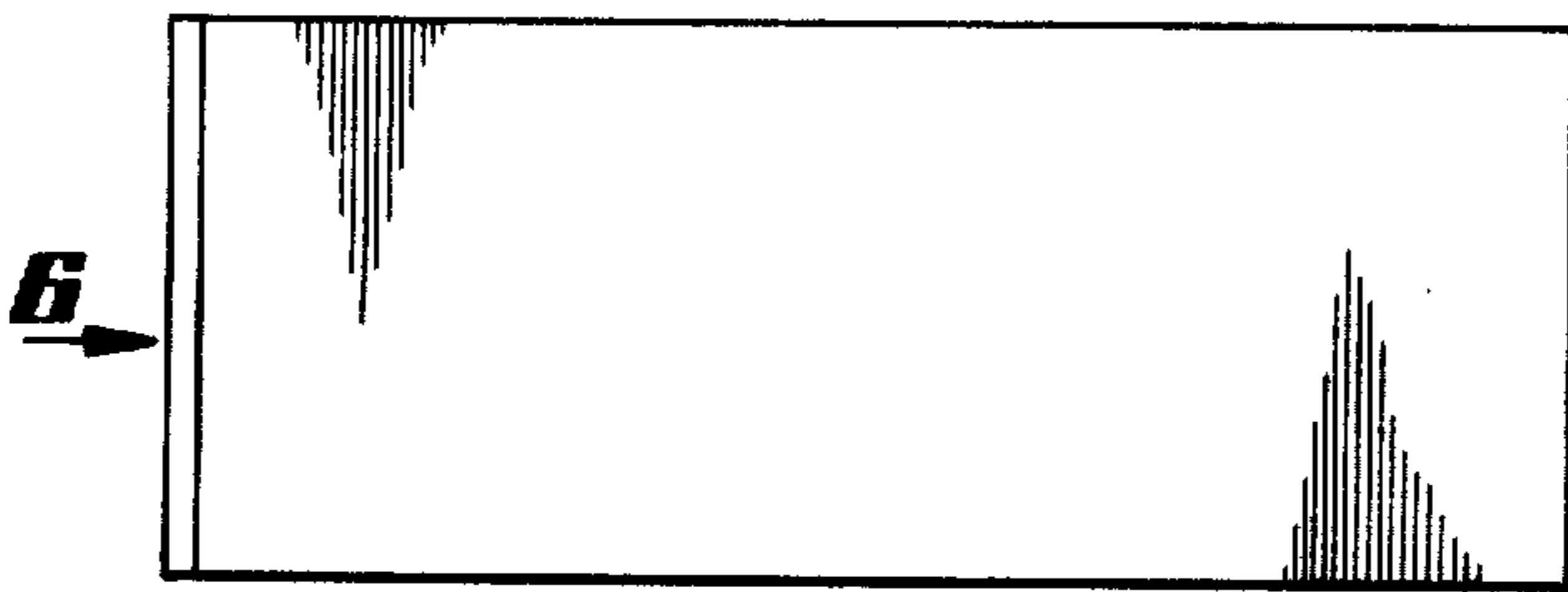


Fig. 6

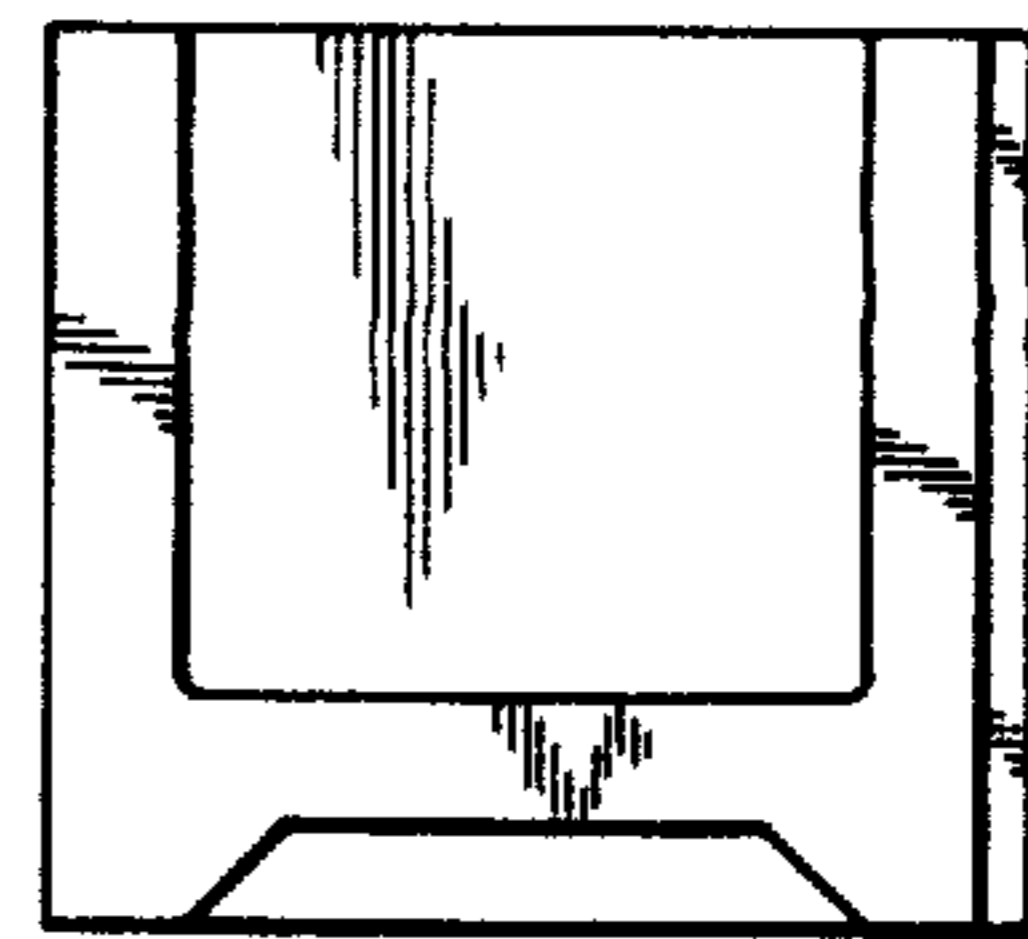


Fig. 7