

[54] BUILDING BLOCK

[76] Inventor: Jose Coelho dos Santos, Estrada dos Arneiros, 46-1° Dto., Lisbon, Portugal

[**] Term: 14 Years

[21] Appl. No.: 188,013

[22] Filed: Sep. 17, 1980

[30] Foreign Application Priority Data

Mar. 25, 1980 [PT] Portugal 15048

[51] Int. Cl. D25-01

[52] U.S. Cl. D25/80; D25/87; D25/91

[58] Field of Search 52/169, 258, 286, 590-596, 52/316; D25/80, 87-91

[56]

References Cited

U.S. PATENT DOCUMENTS

- D. 54,424 2/1920 Lehman D25/80
- 1,552,077 9/1925 Palanti D25/91 X
- 3,410,044 11/1968 Moog D25/80 X
- 3,534,518 10/1970 Zagray D25/80 X

FOREIGN PATENT DOCUMENTS

- 613245 11/1948 United Kingdom 52/316

Primary Examiner—A. Hugo Word

Attorney, Agent, or Firm—Birch, Stewart, Kolasch & Birch

[57]

CLAIM

The ornamental design for a building block, as shown.

DESCRIPTION

FIG. 1 is a perspective view of a building block;
 FIG. 2 is a front elevational view thereof;
 FIG. 3 is a left side elevational view thereof;
 FIG. 4 is a top plan view thereof;
 FIG. 5 is a back elevational view thereof;
 FIG. 6 is a right side elevational view thereof; and
 FIG. 7 is a bottom plan view thereof.

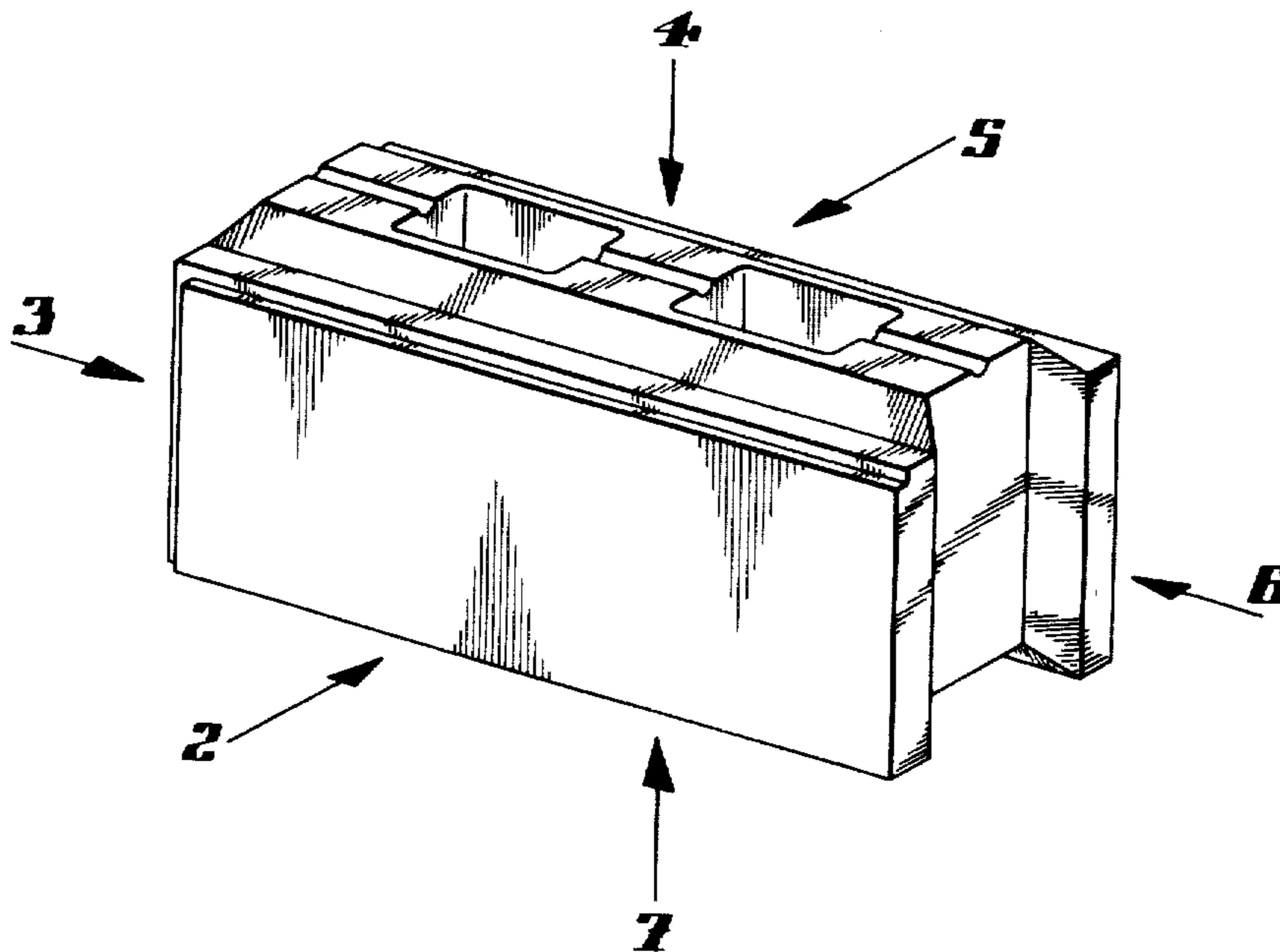
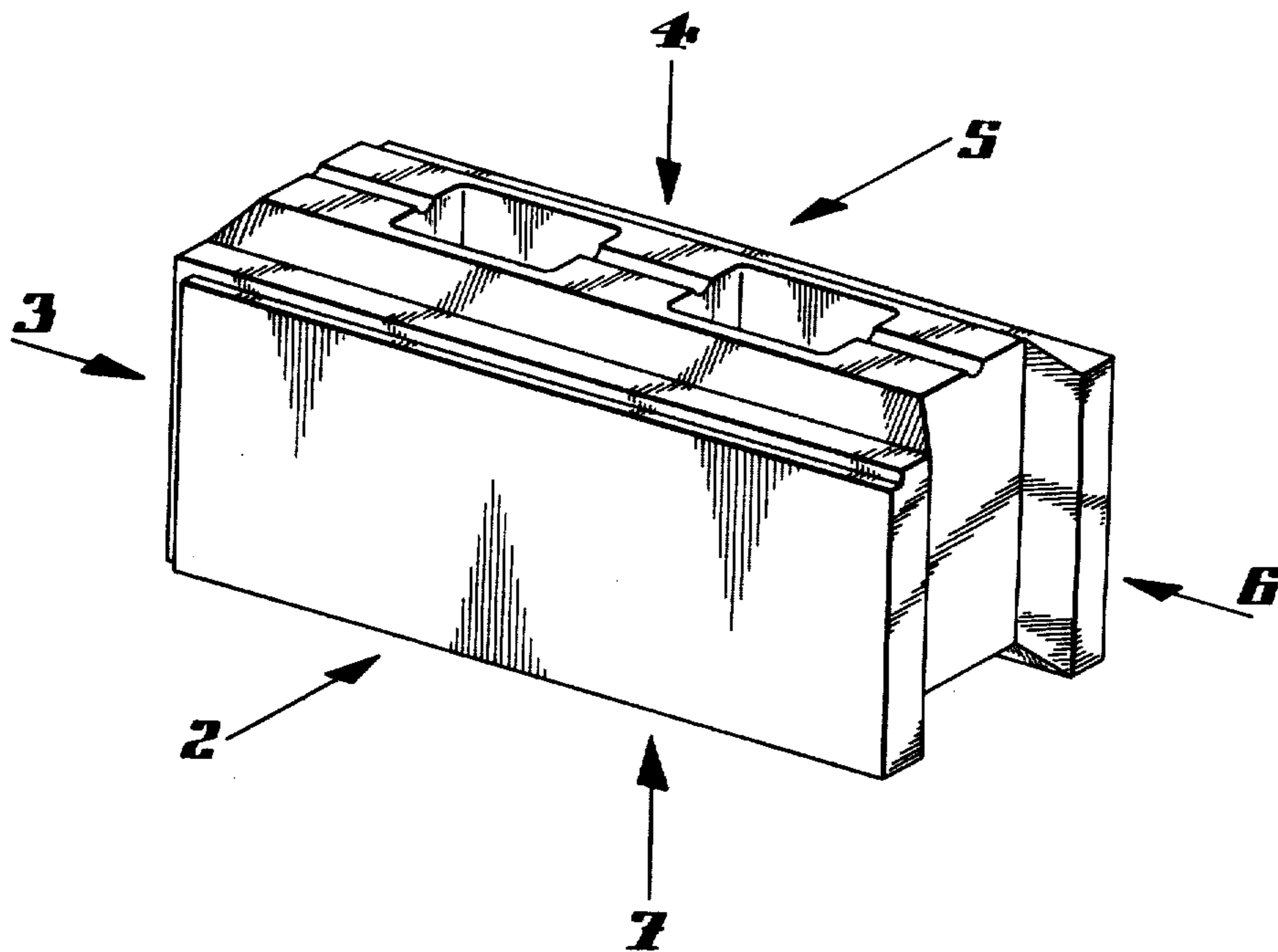


Fig. 1



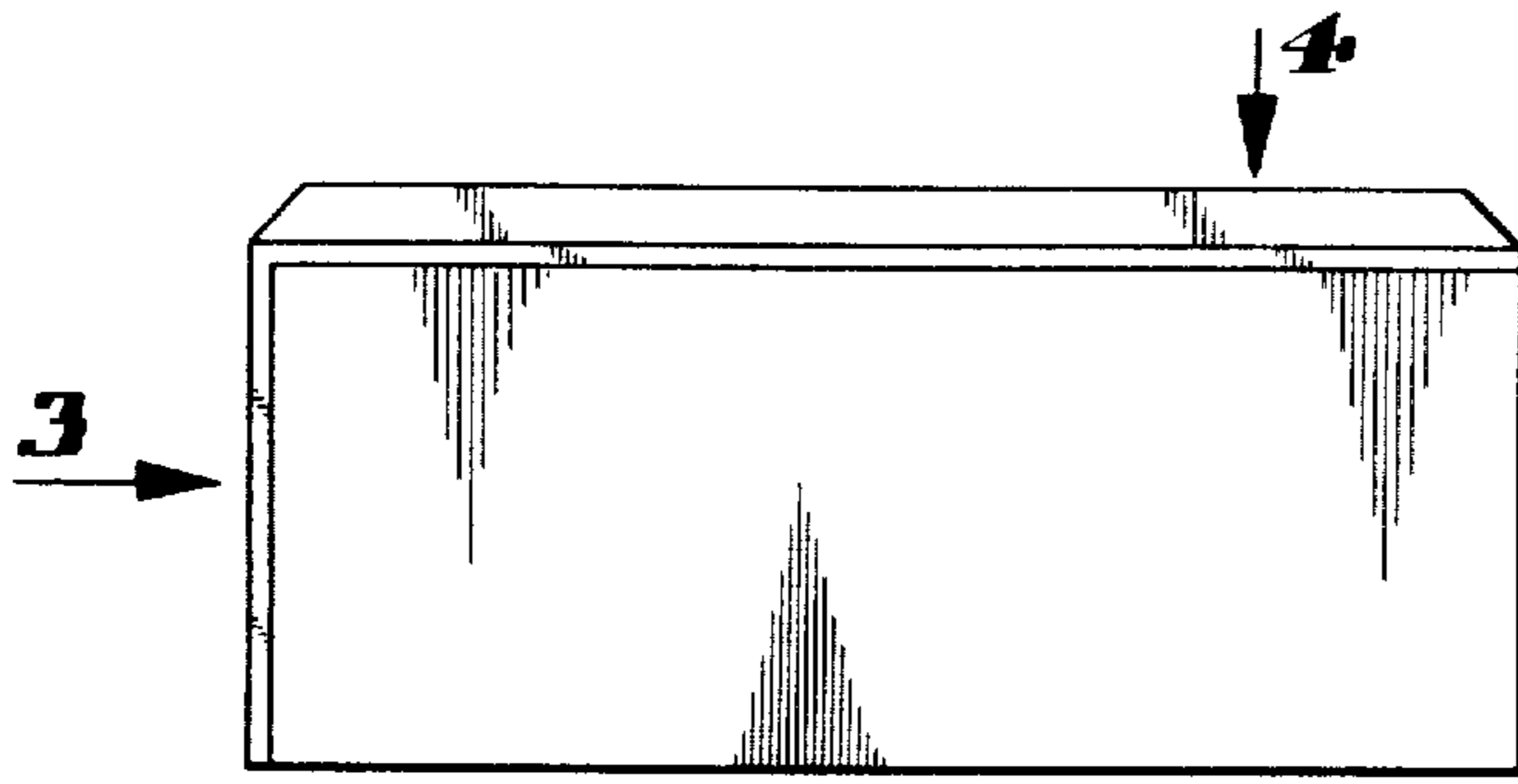


Fig. 2

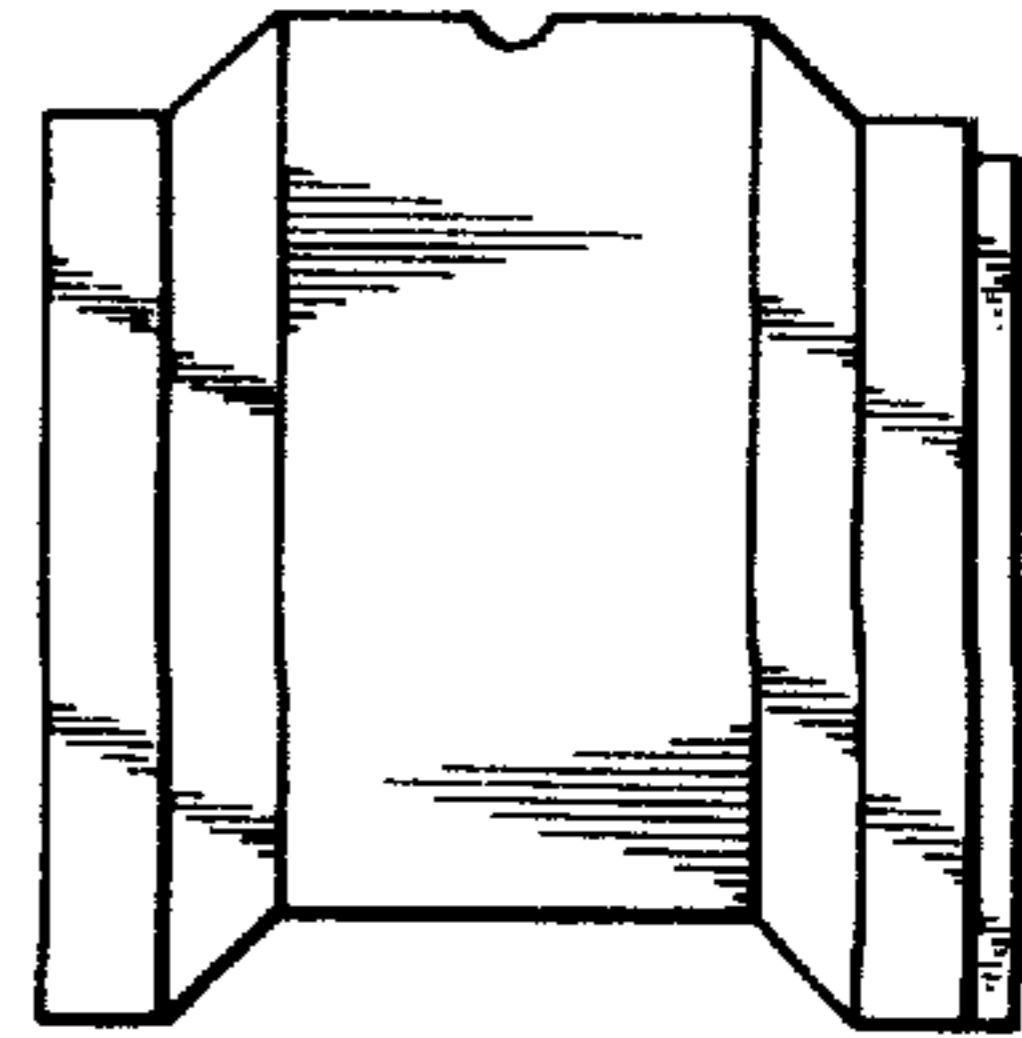


Fig. 3

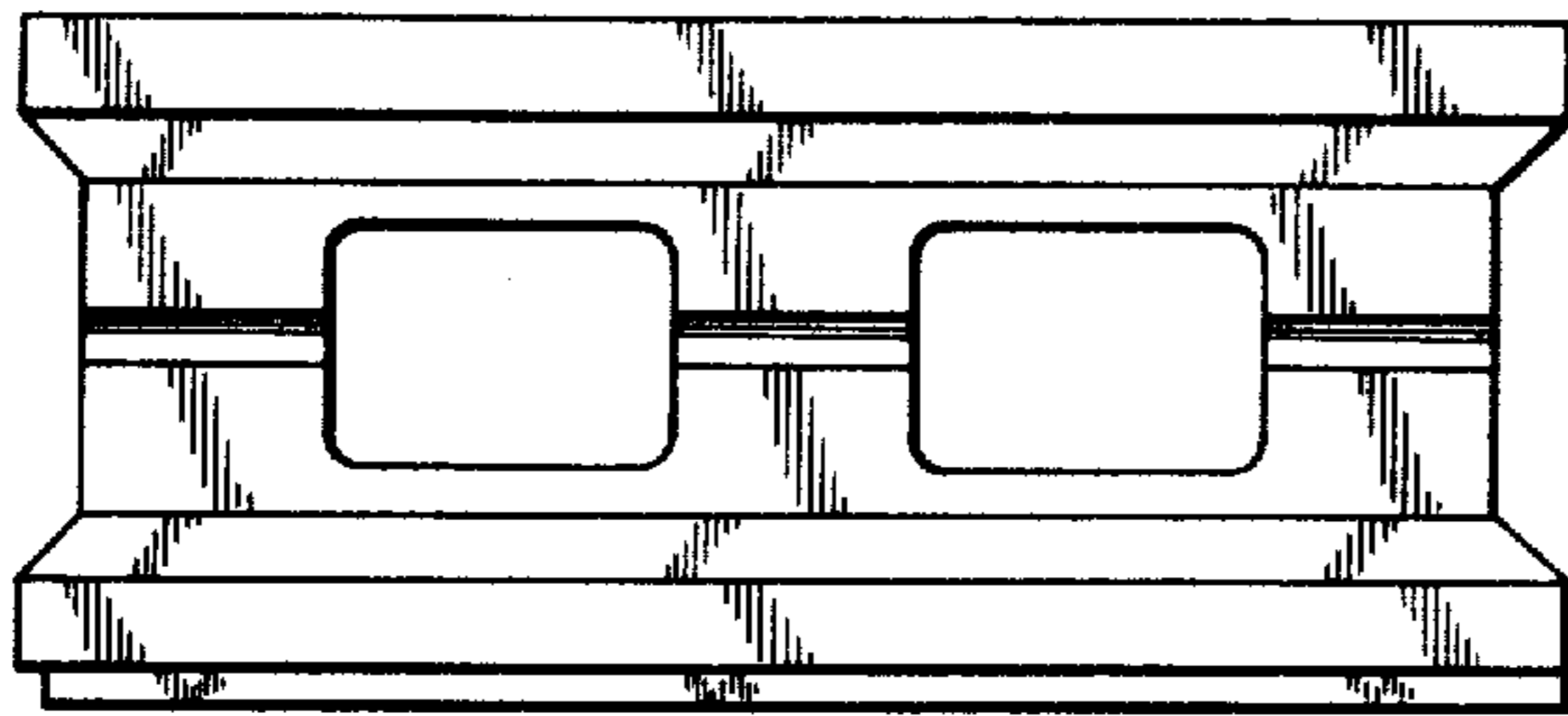


Fig. 4

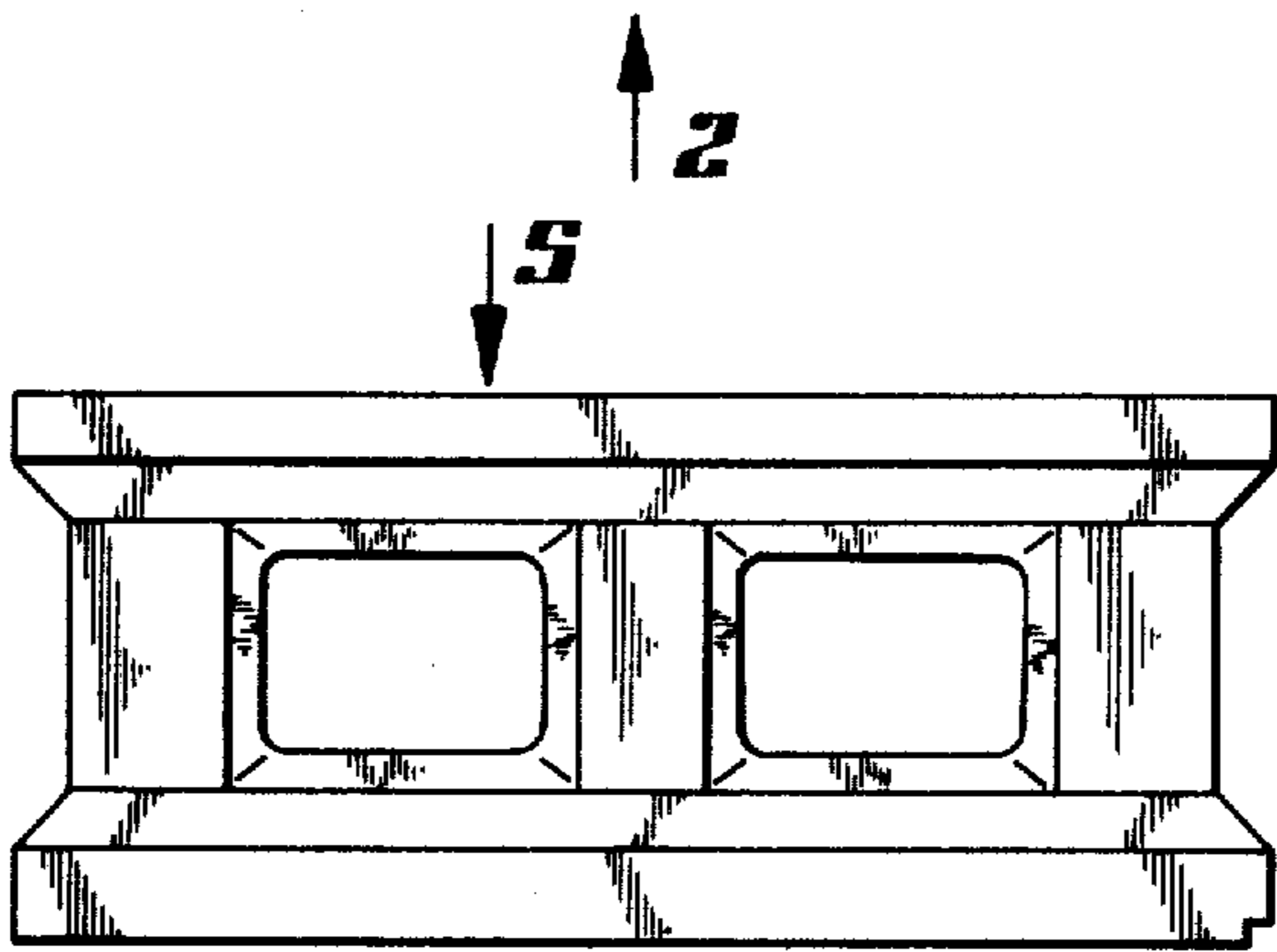


Fig. 7

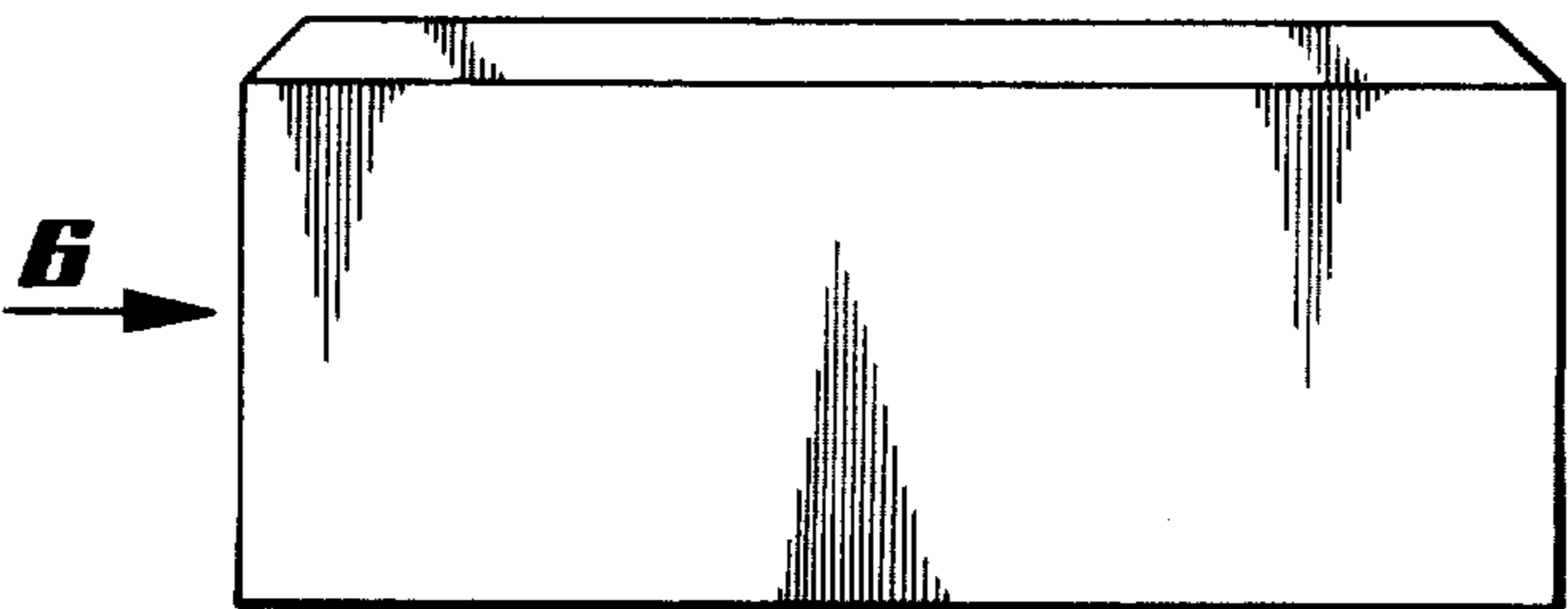


Fig. 5

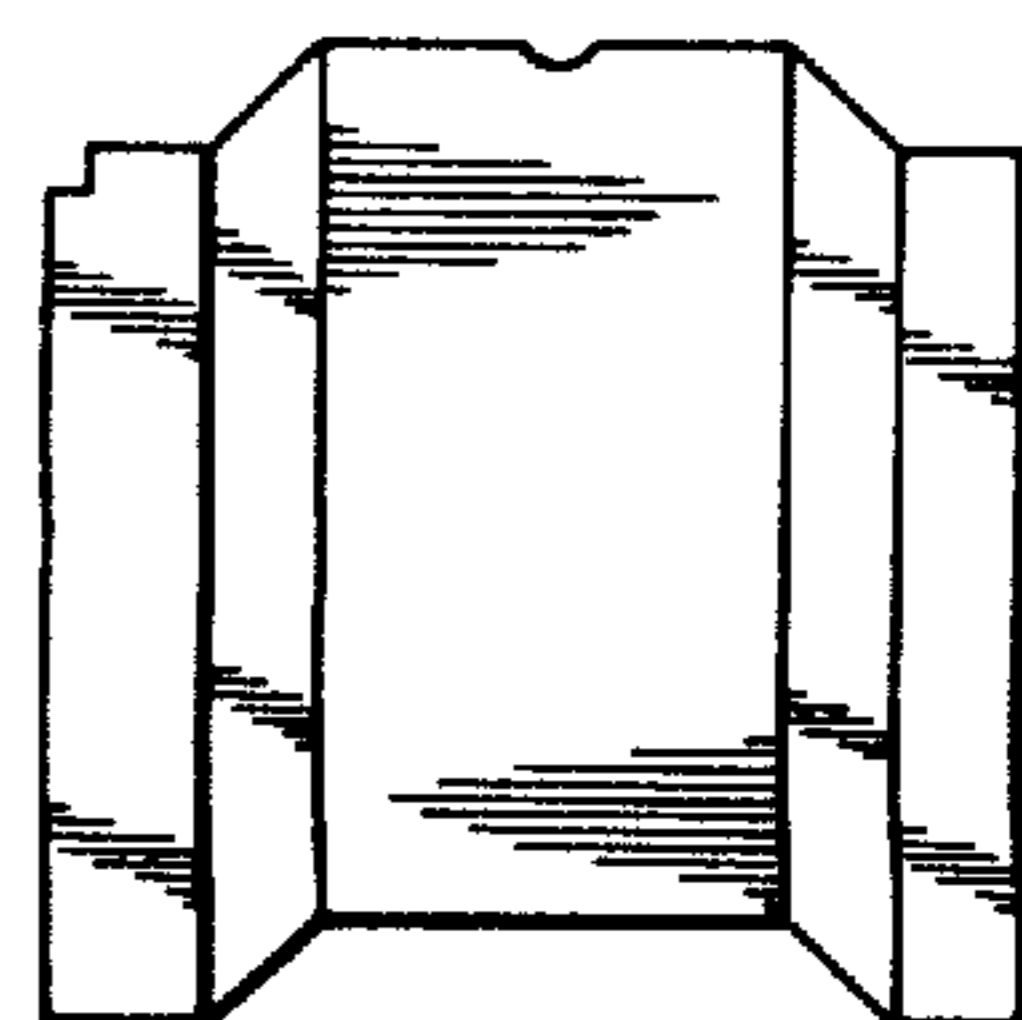


Fig. 6