

[54] MULTIDIRECTIONAL WELDING OUTLET

[75] Inventors: **Robert W. Schneider**, Allentown;
Alfred S. Gilly, Northampton; **John R. Diamant**, Nazareth; **James I. Dantzer**, Center Valley, all of Pa.

[73] Assignee: **Gulf & Western Manufacturing Company**, Southfield, Mich.

[**] Term: **14 Years**

[21] Appl. No.: **151,026**

[22] Filed: **May 19, 1980**

[51] Int. Cl. **D23-01**

[52] U.S. Cl. **D23/40; 285/158; 285/261**

[58] Field of Search **D23/40-47; 285/158, 160, 166, 175, 184, 189, 261; 403/90, 122, 143**

[56] **References Cited**

U.S. PATENT DOCUMENTS

D. 187,176	2/1960	Jackson	D23/45
1,500,921	7/1924	Bramson et al.	285/166
1,866,835	7/1932	Bard	285/166 X
2,015,246	9/1935	Taylor	285/189
2,286,566	6/1942	Norton	285/2

2,564,938	8/1951	Warren	285/95
2,704,678	3/1955	Klein et al.	285/175 X
2,776,168	1/1957	Schweda	285/166 X
3,104,897	9/1963	Berger	285/166
3,254,909	6/1966	Ver Nooy	285/189

FOREIGN PATENT DOCUMENTS

80811 10/1918 Switzerland .

Primary Examiner—James R. Largen
Attorney, Agent, or Firm—Charles I. Sherman

[57] **CLAIM**

The ornamental design for a multidirectional welding outlet, as shown and described.

DESCRIPTION

FIG. 1 is a perspective view of a multidirectional welding outlet showing our new design;
 FIG. 2 is a side elevational view thereof;
 FIG. 3 is an end elevational view thereof;
 FIG. 4 is a top plan view thereof;
 FIG. 5 is a bottom plan view thereof;
 FIG. 6 is a side elevational view of a modified form of the multidirectional welding outlet shown in FIG. 1; and
 FIG. 7 is a side elevational view of a second modified form of the multidirectional welding outlet shown in FIG. 1.

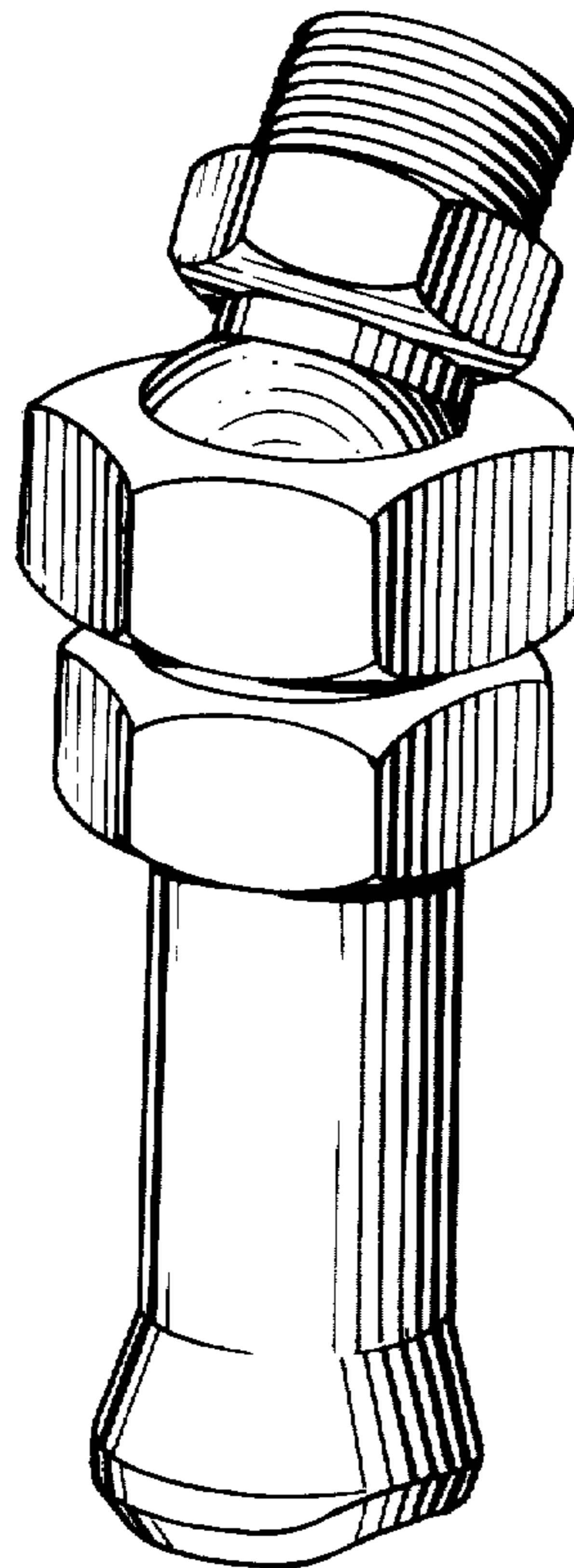


Fig. 1.

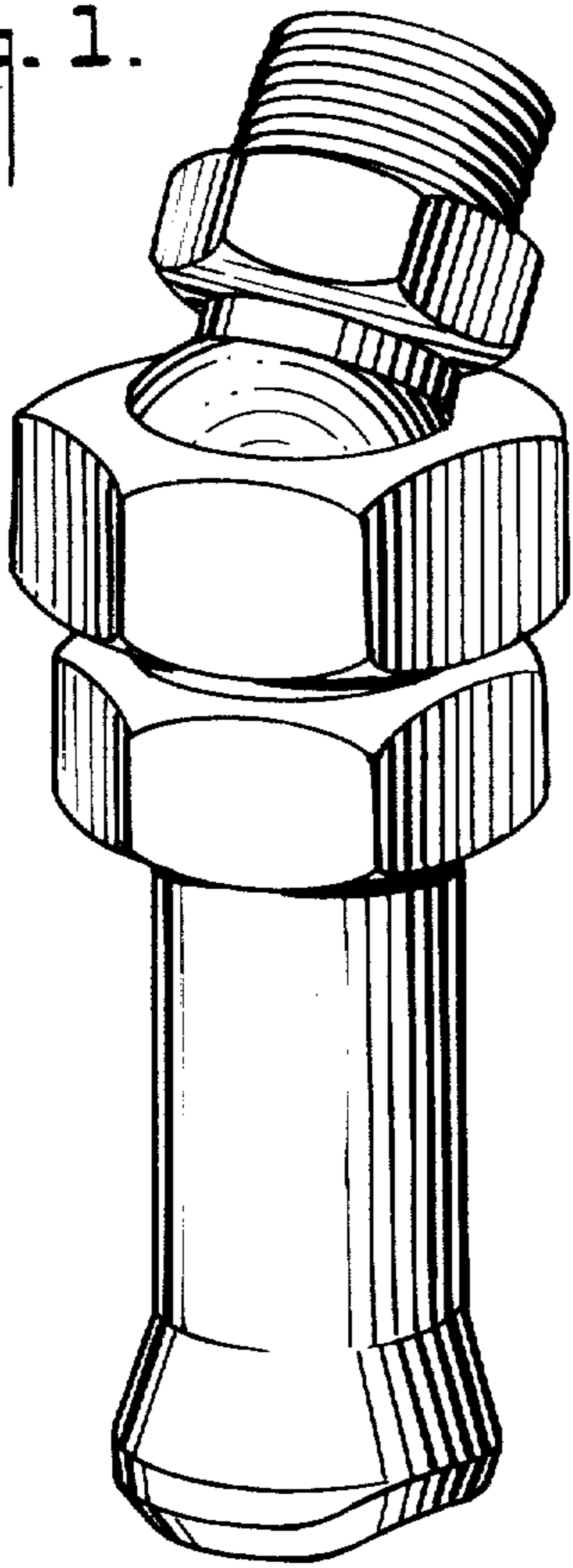


Fig. 2.

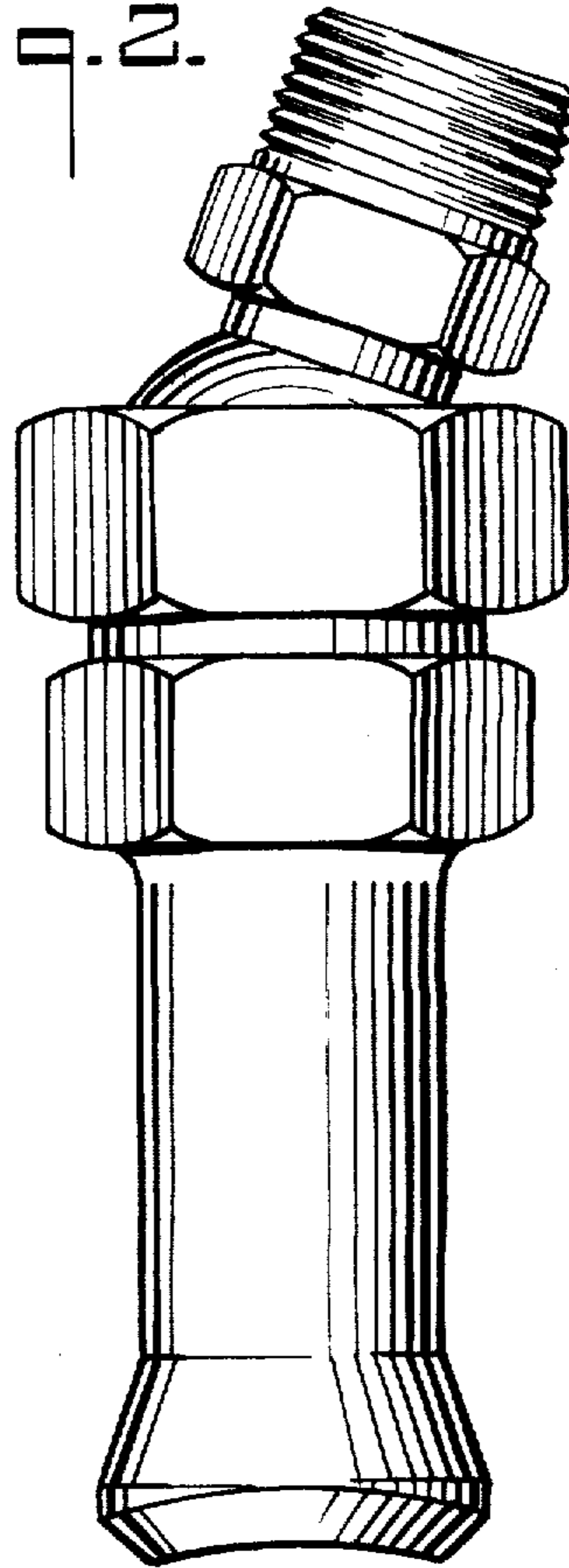


Fig. 3.

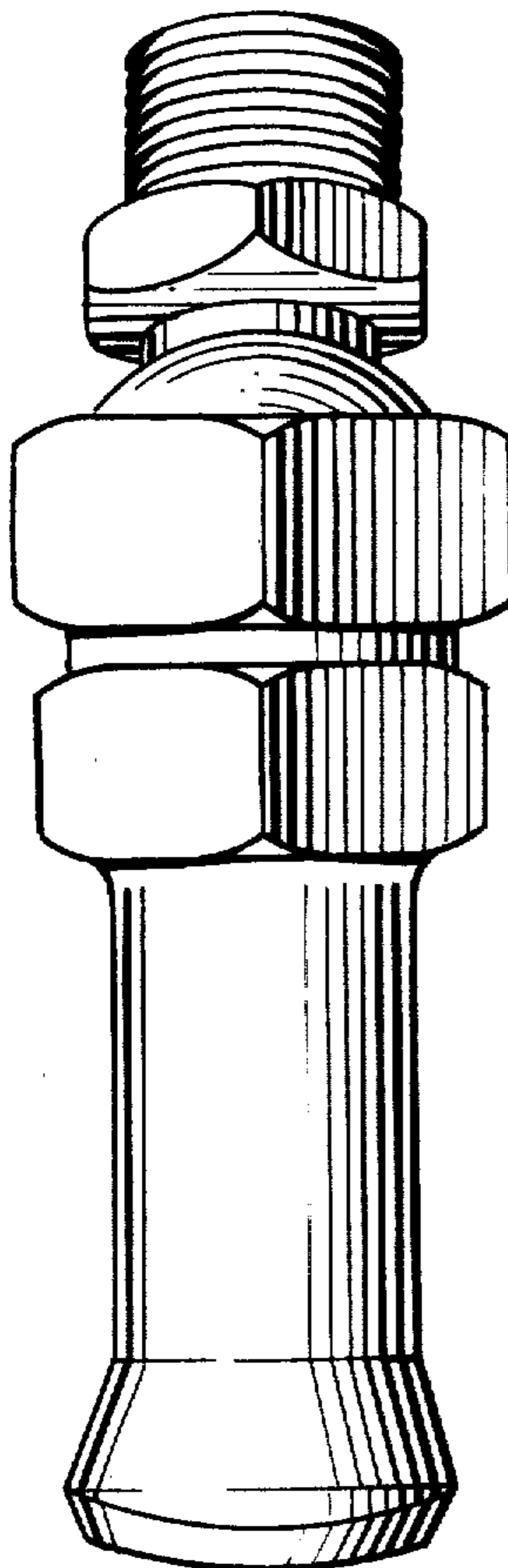


Fig. 4.

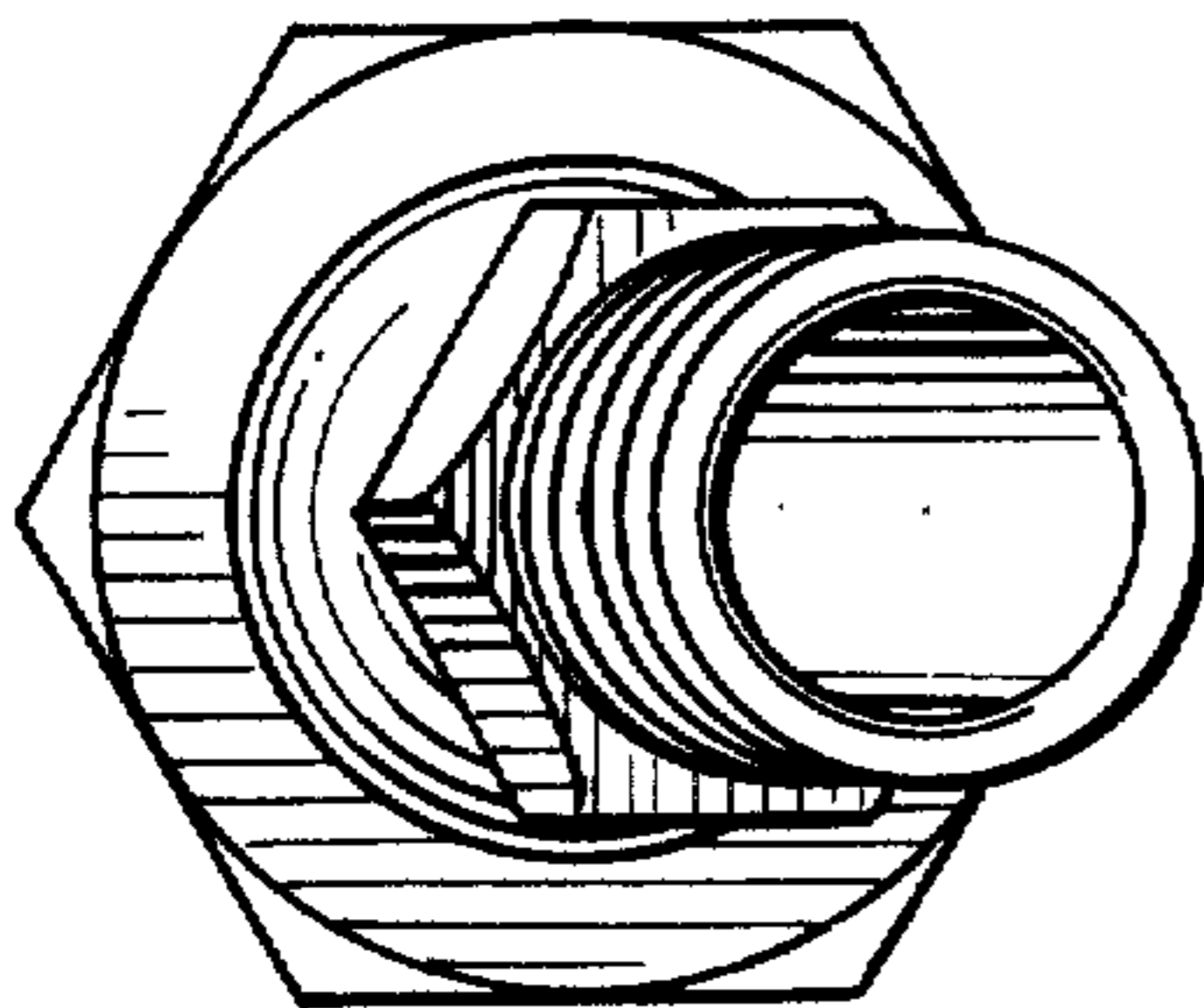


Fig. 5.

