

[54] SPOUT

[75] Inventor: Nazzareno Piesco, Milan, Italy

[73] Assignee: F.I.R. Fabbrica Italiana Rubinetterie S.p.A., Cavaglio D'Agogna, Italy

[**] Term: 14 Years

[21] Appl. No.: 240,356

[22] Filed: Mar. 4, 1981

[51] Int. Cl. D23-01

[52] U.S. Cl. D23/32

[58] Field of Search D23/23-32; 4/191, 192; 137/801

[56] References Cited

U.S. PATENT DOCUMENTS

- D. 187,845 5/1960 Kohler D23/32
- D. 193,885 10/1962 Andrews D23/23
- D. 202,491 10/1965 Pugliese D23/25
- D. 203,246 12/1965 Harvey et al. D23/23
- D. 207,985 6/1967 Maguire D23/23
- D. 219,740 1/1971 Niemann D23/32

- D. 221,429 8/1971 Petterson D23/32
- 2,790,632 4/1957 Mellette 137/801
- 3,202,181 8/1965 West D23/23
- 4,037,624 7/1977 Turner et al. 137/801 X

OTHER PUBLICATIONS

Product Engineering, Nov. 11, 1963, p. 7.

Primary Examiner—James R. Largen

Attorney, Agent, or Firm—Sughrue, Mion, Zinn, Macpeak & Seas

[57] CLAIM

The ornamental design for a spout, as shown and described.

DESCRIPTION

FIG. 1 is a left side elevational view of a spout showing my new design, the right side being a mirror image of the left side shown;

FIG. 2 is a top plan view thereof;

FIG. 3 is a front elevational view thereof;

FIG. 4 is a rear elevational view thereof; and

FIG. 5 is a perspective view taken from the top, front and left side thereof.

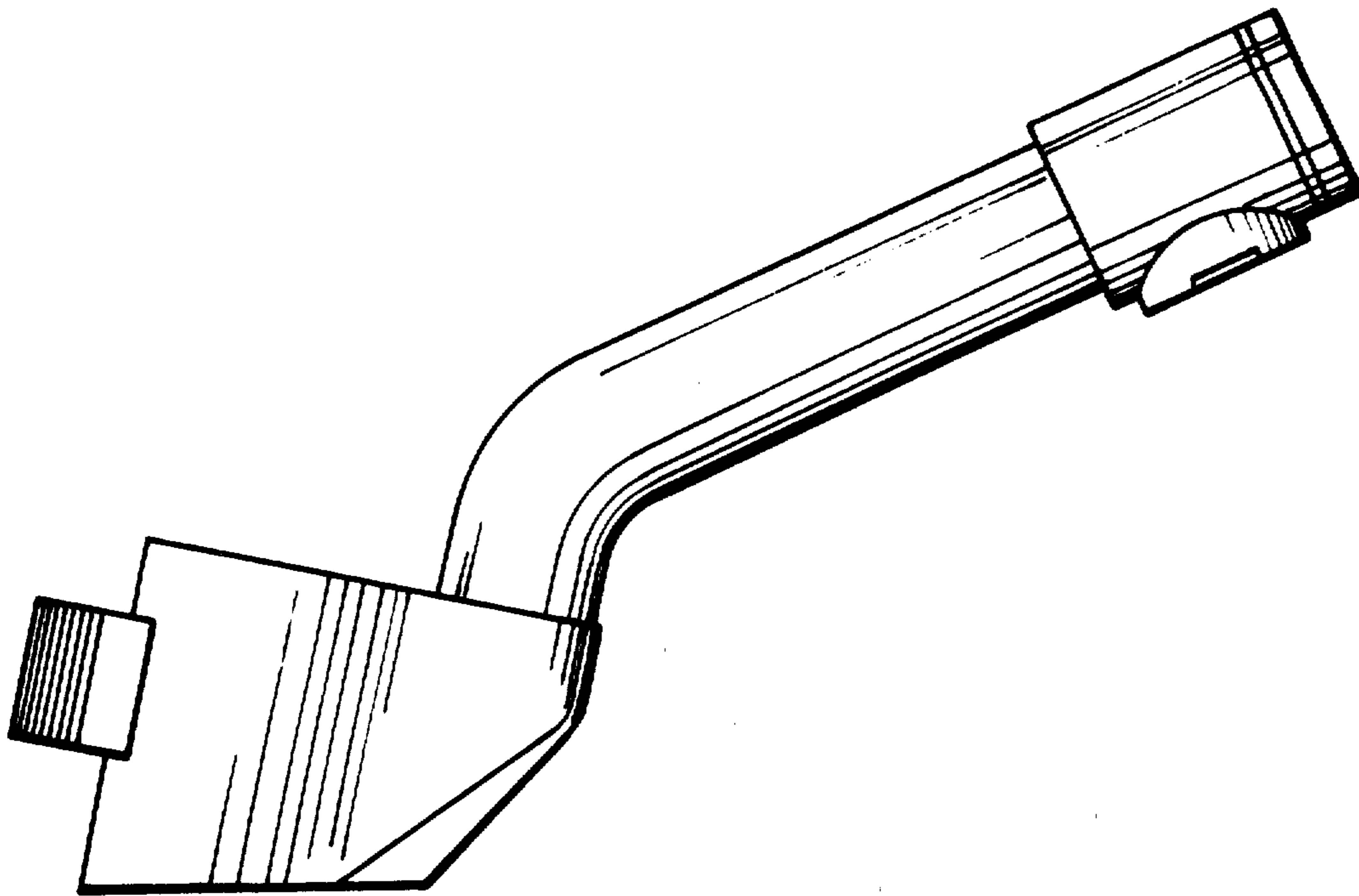


FIG. 1

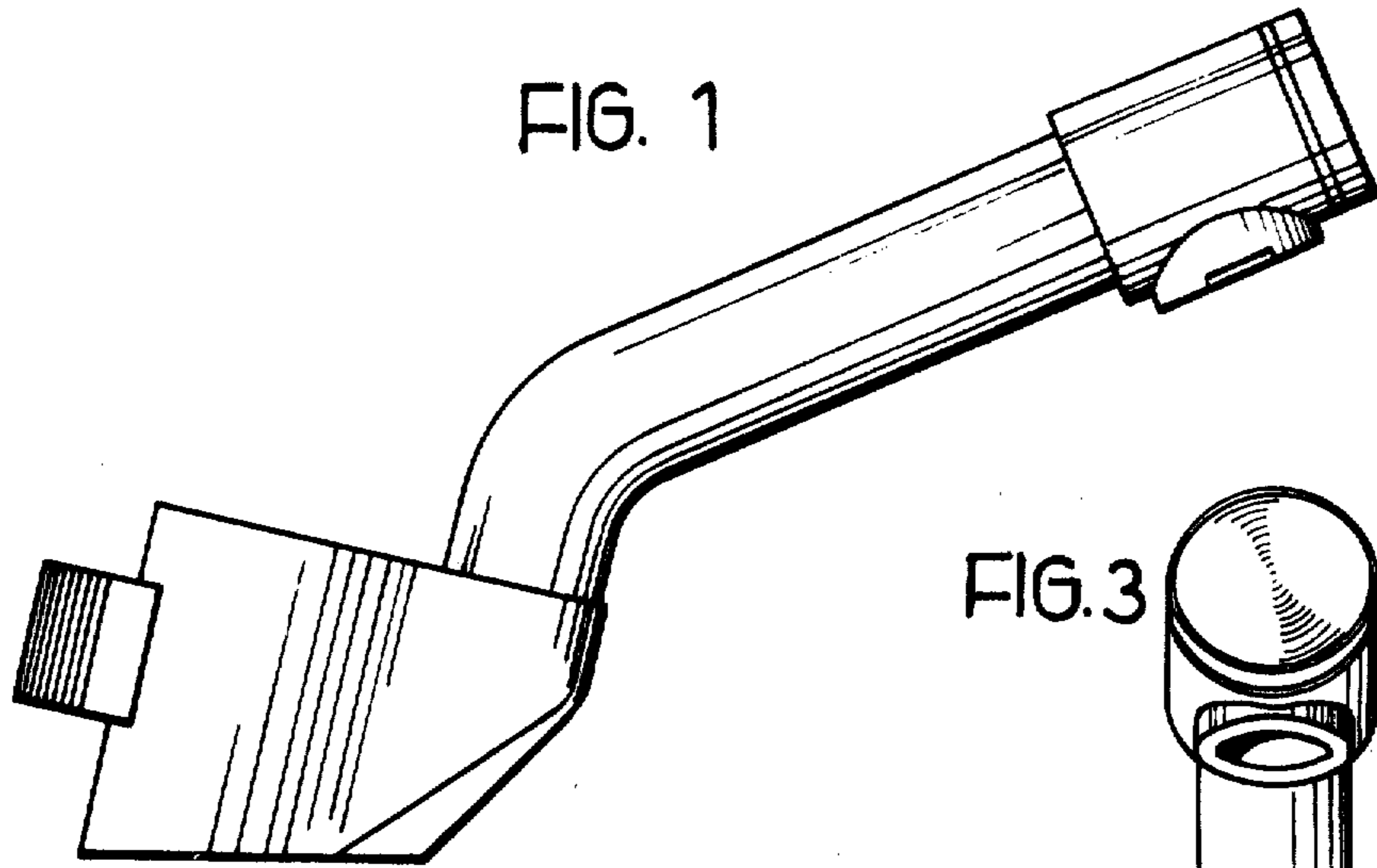


FIG. 3

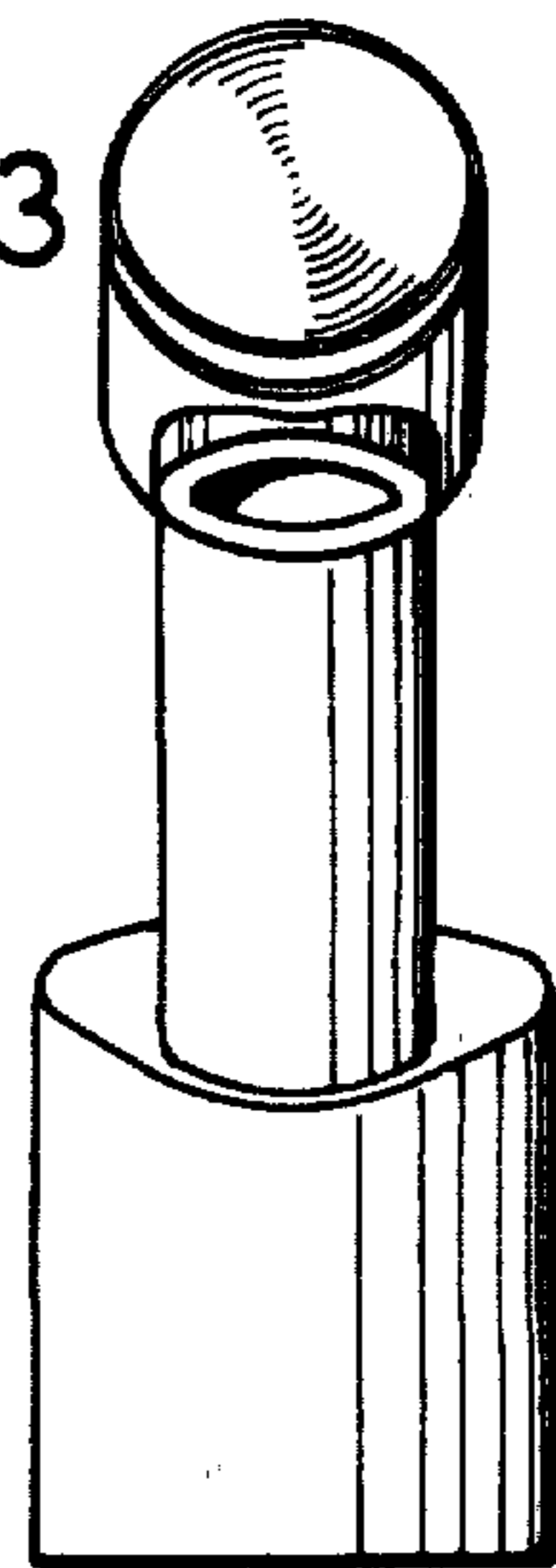


FIG. 4

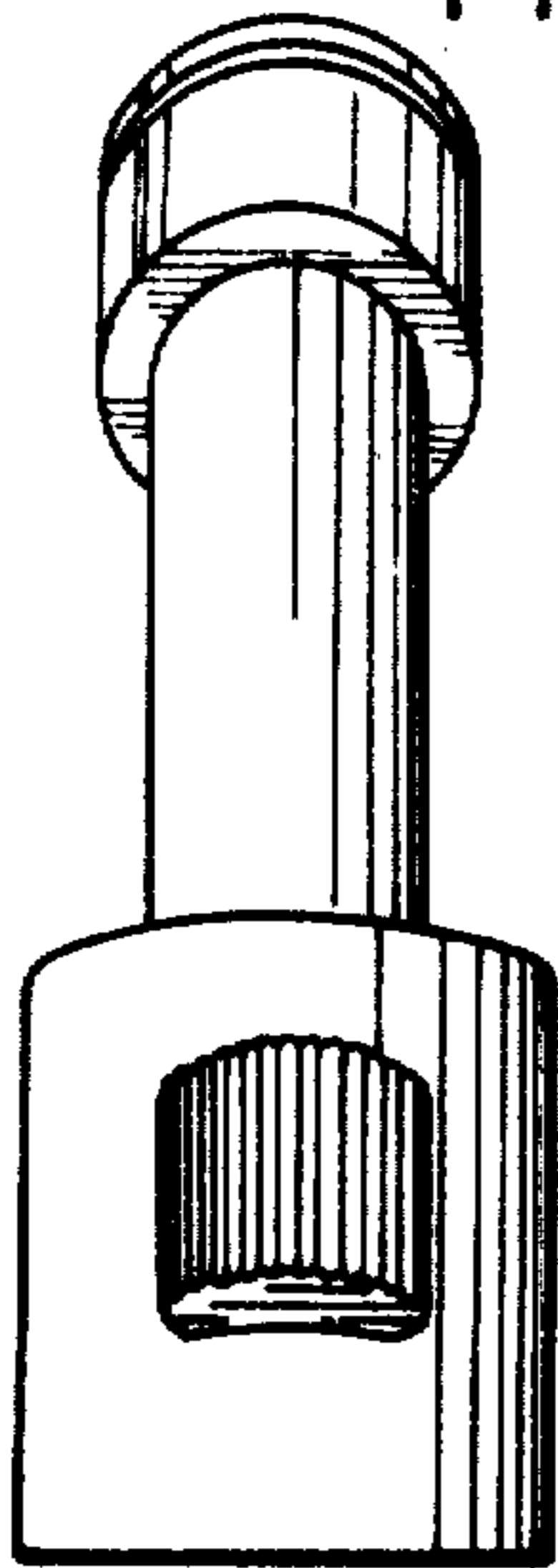


FIG. 5

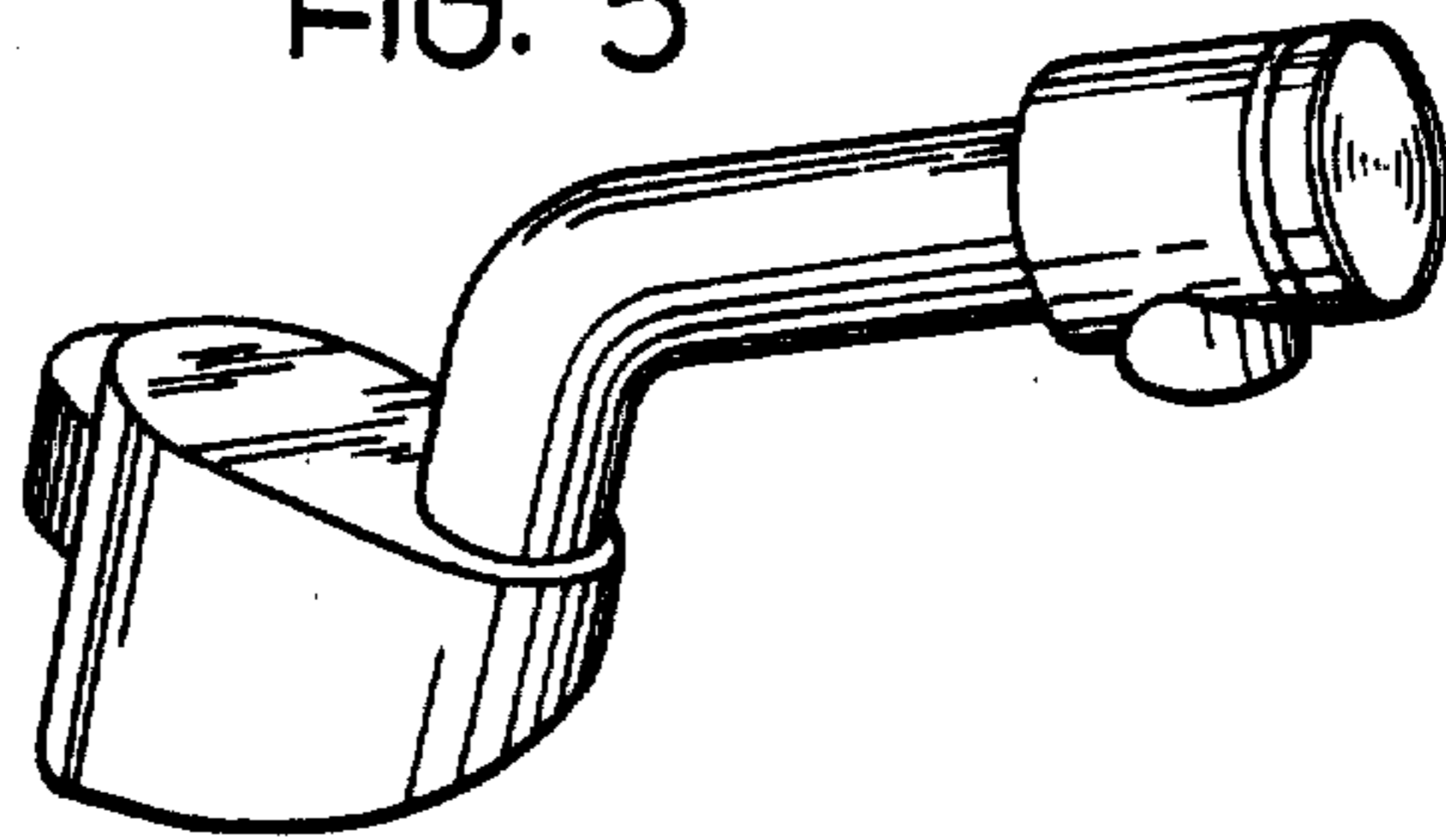


FIG. 2

