

[54] FAUCET FOR PROTECTING STERILE FLUID SYSTEMS

[76] Inventor: **Narbik A. Karamian**, 7609 Exeter Rd., Bethesda, Md. 20014

[\*\*] Term: **14 Years**

[21] Appl. No.: **151,171**

[22] Filed: **May 19, 1980**

[51] Int. Cl. .... **D23-01**  
[52] U.S. Cl. .... **D23/03; D24/09**  
[58] Field of Search ..... **137/241; D23/3; 141/185; D24/9; 202/160**

[56] **References Cited**  
**U.S. PATENT DOCUMENTS**

D. 88,929	1/1933	Moehler	.....	D23/3
D. 240,731	7/1976	Free et al.	.....	D23/3
D. 253,066	10/1979	Karamian	.....	D24/9 X
D. 254,265	2/1980	Karamian	.....	D24/9 X
2,028,256	1/1936	Stevens et al.	.....	141/185
2,381,031	8/1945	Blashfield	.....	137/241
3,696,003	10/1972	Fitch et al.	.....	202/160

*Primary Examiner*—Bernard Ansher  
*Attorney, Agent, or Firm*—Joseph P. Nigon

[57] **CLAIM**

The ornamental design for a faucet for protecting sterile fluid systems, as shown and described.

**DESCRIPTION**

FIG. 1 is a top front perspective view of a faucet for protecting sterile fluid systems;  
FIG. 2 is a bottom rear perspective view thereof.

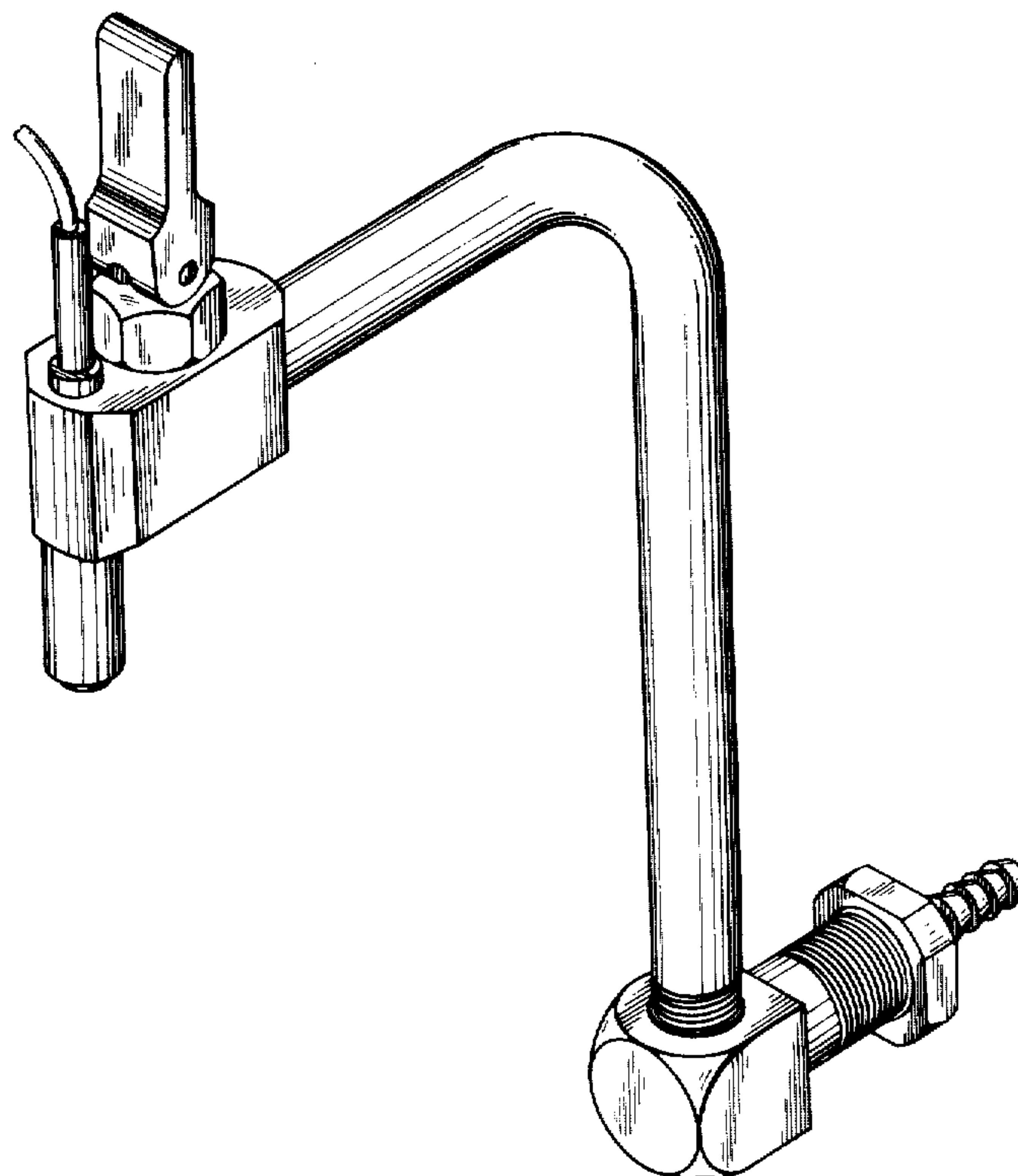


FIG. 1

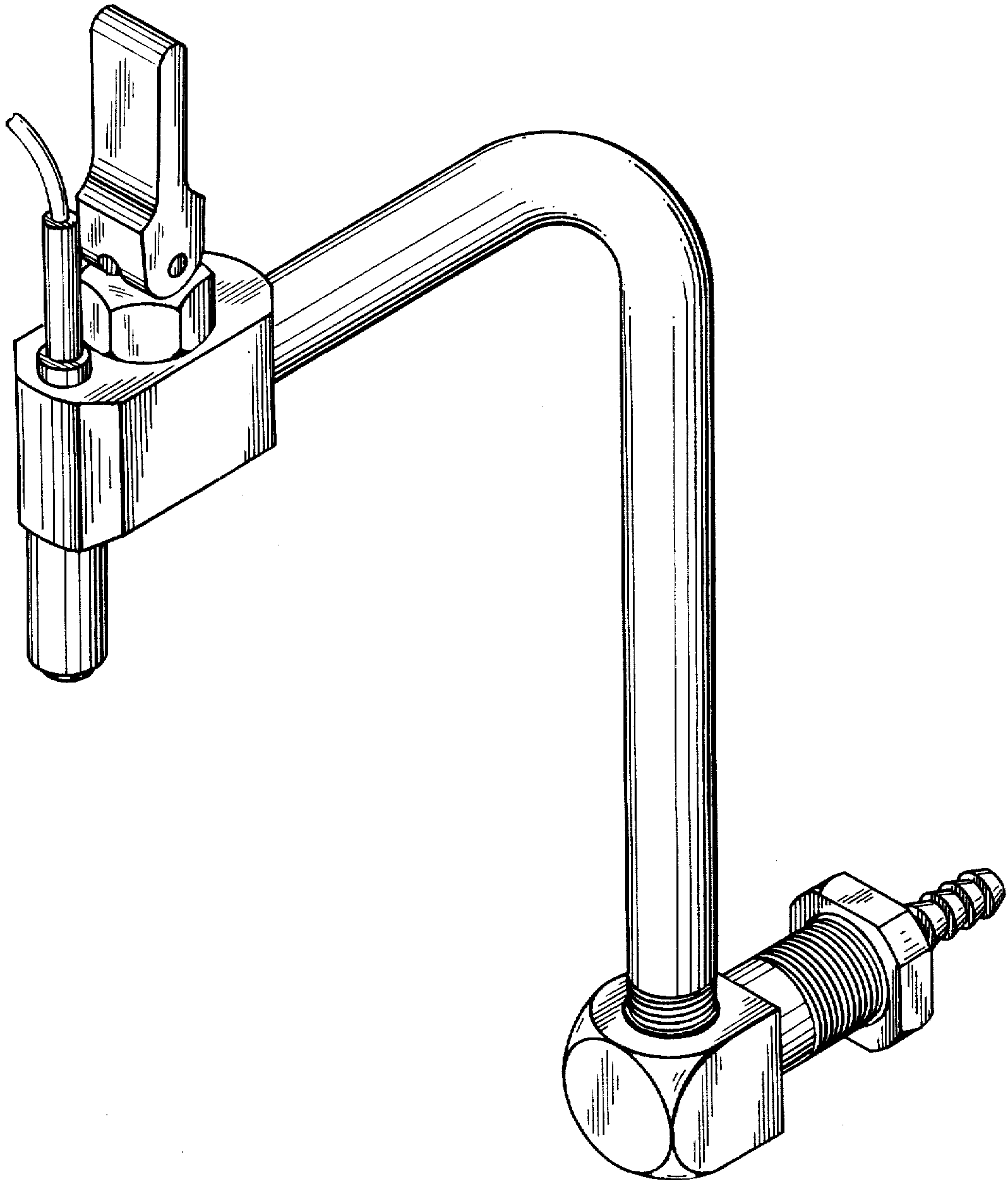


FIG. 2

