

[54] WATER SLIDE

[75] Inventors: George D. Millay; Ronald D. Harper, both of San Diego, Calif.

[73] Assignee: Wet 'N Wild, Inc., Orlando, Fla.

[**] Term: 14 Years

[21] Appl. No.: 121,121

[22] Filed: Feb. 13, 1980

[51] Int. Cl. D21-03

[52] U.S. Cl. D21/244

[58] Field of Search D21/244, 242; 272/56.5, 272/1 B

[56] References Cited

U.S. PATENT DOCUMENTS

- D. 210,298 2/1968 Moulton D21/242
- 4,198,043 4/1980 Timbes et al. 272/56.5 R

Primary Examiner—Melvin B. Feifer
Attorney, Agent, or Firm—William M. Hobby, III

[57] CLAIM

The ornamental design for a water slide, as shown and described.

DESCRIPTION

FIG. 1 is a top, front and left side perspective view of a water slide showing our new design;

FIG. 2 is a fragmentary perspective of the slide platform;

FIG. 3 is a sectional view taken on the line 3—3 of FIG. 1;

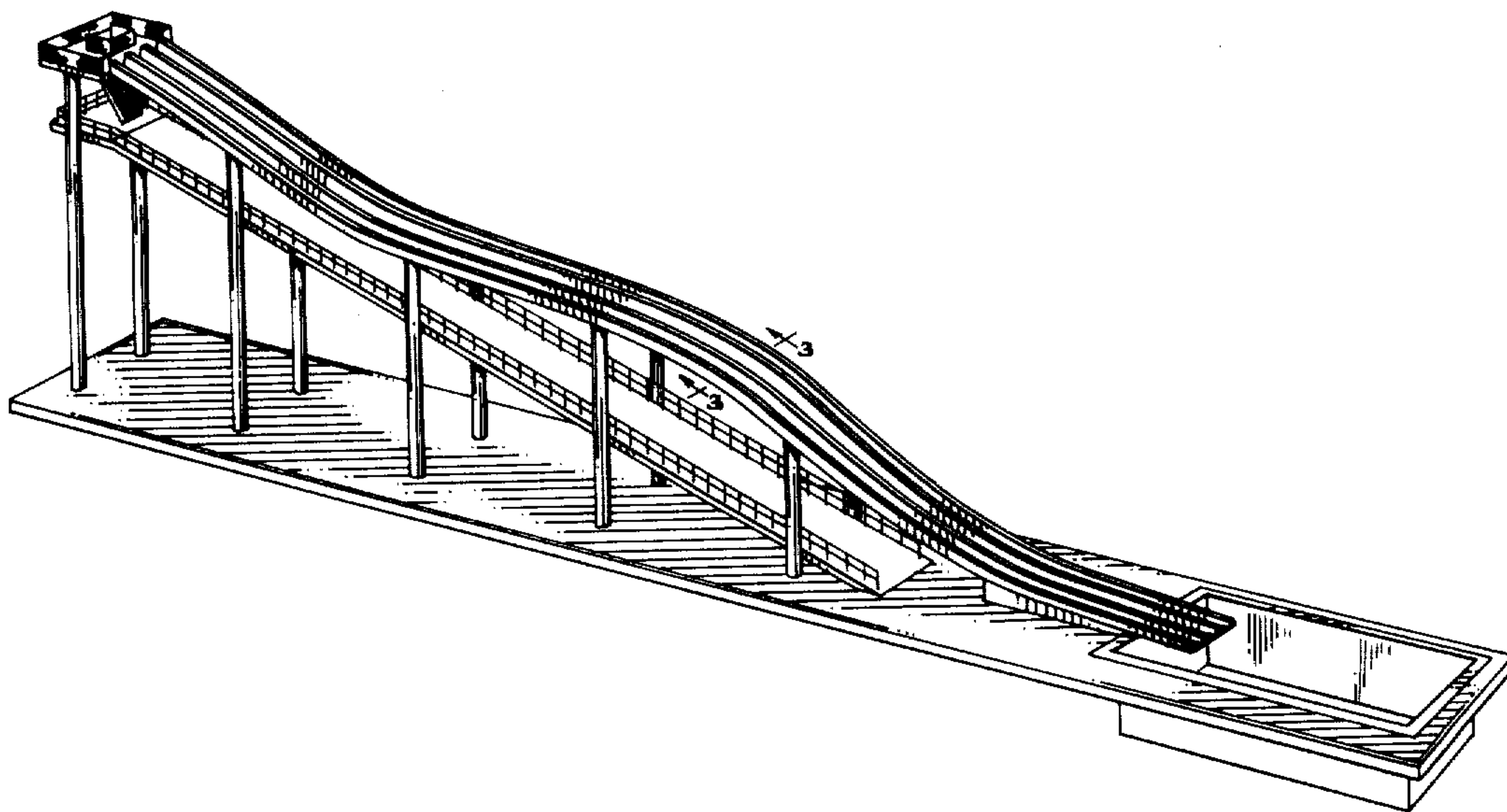
FIG. 4 is a top plan view;

FIG. 5 is a bottom plan view;

FIG. 6 is an elevation of the rear end; and

FIG. 7 is a fragmentary perspective view of the water slide end portion.

The side elevation view is the same for both sides.



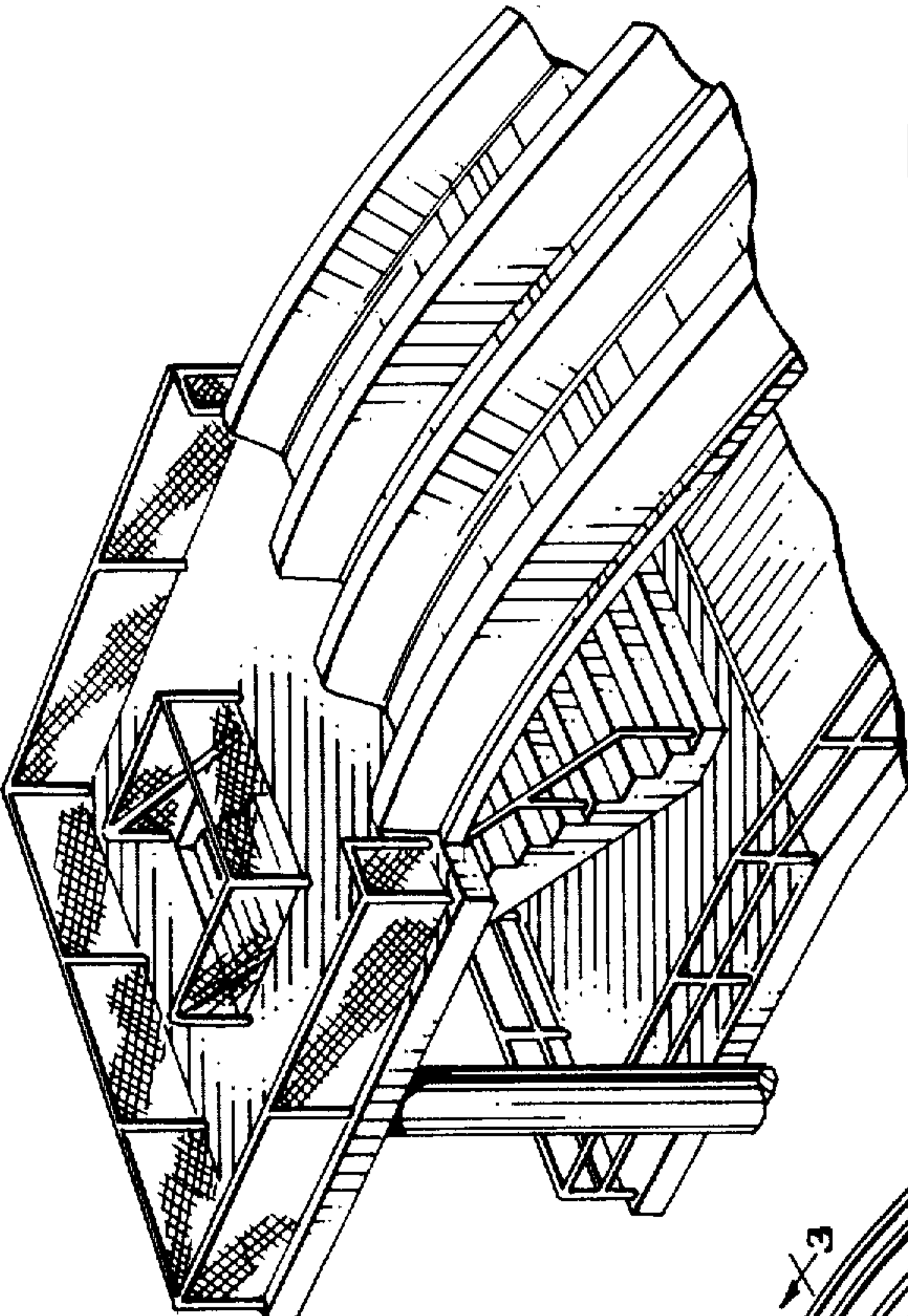


FIG. 2

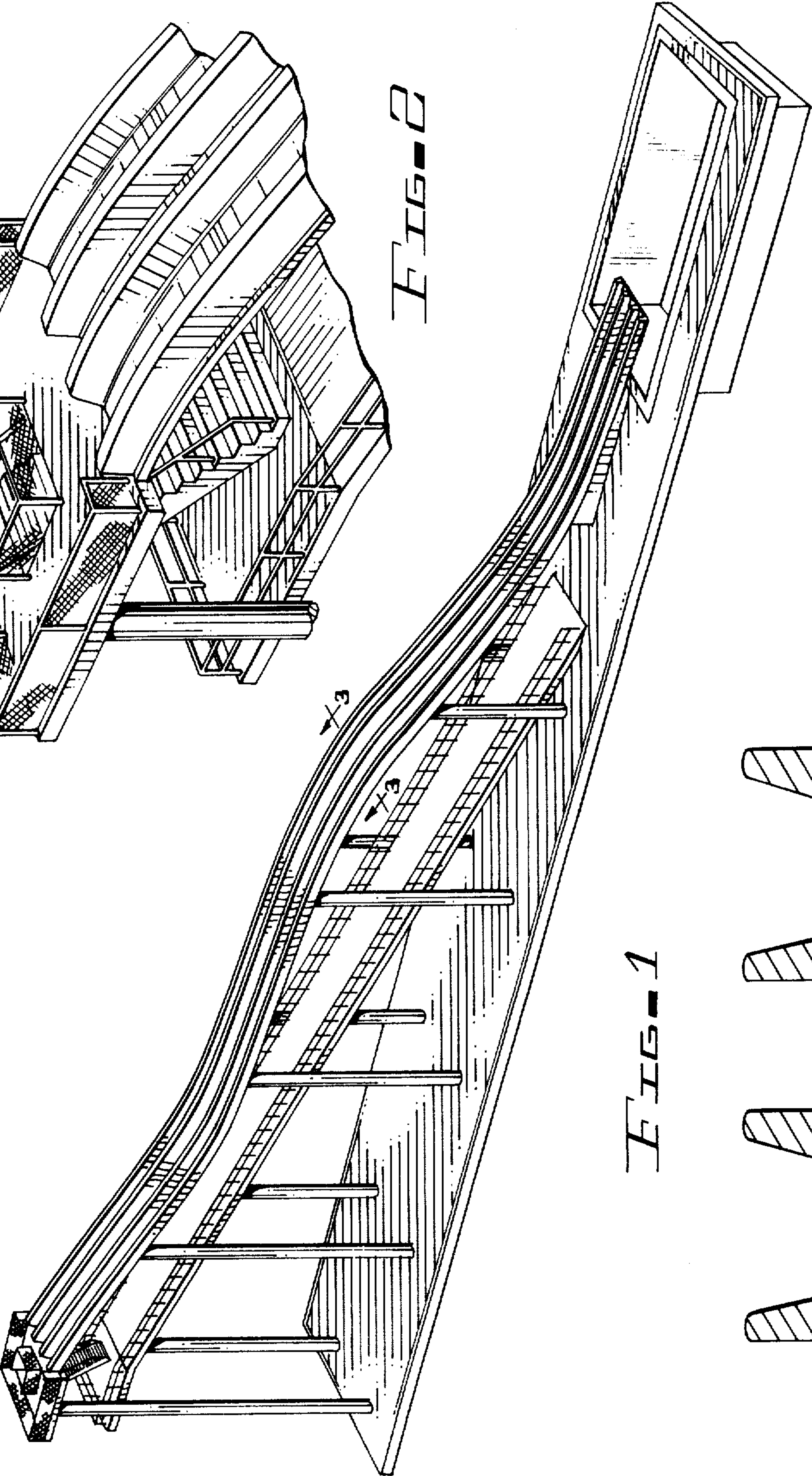


FIG. 1

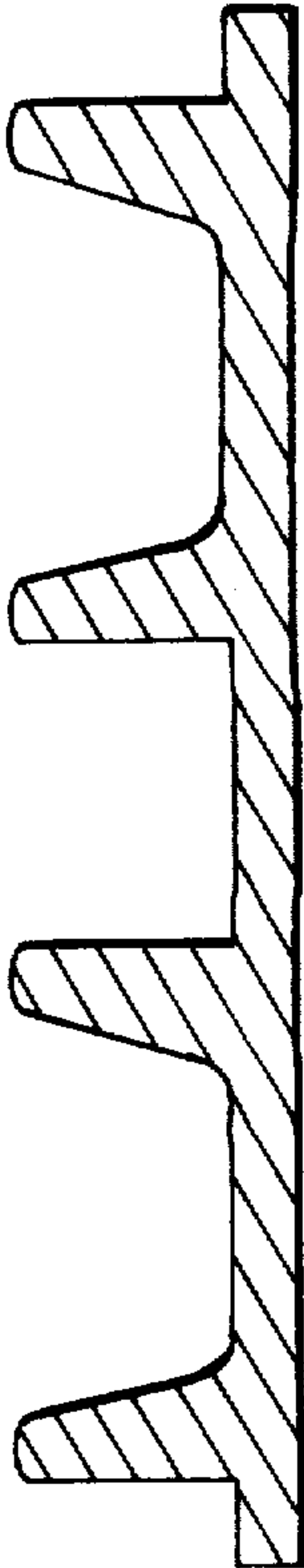


FIG. 3

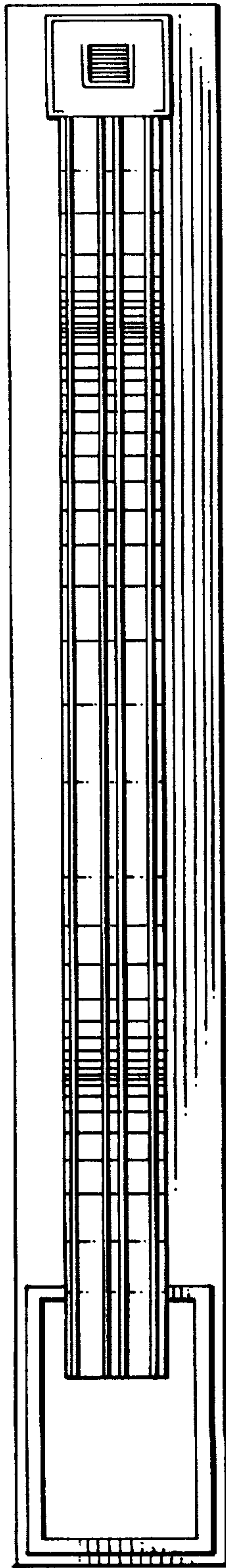


FIG. 4

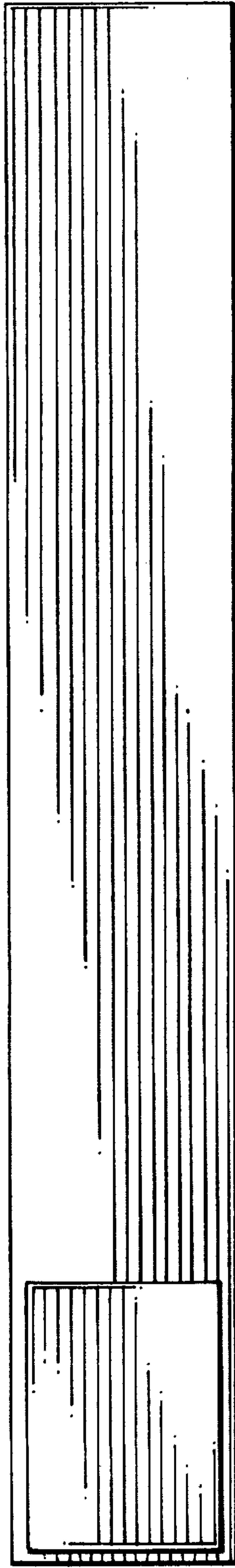


FIG. 5

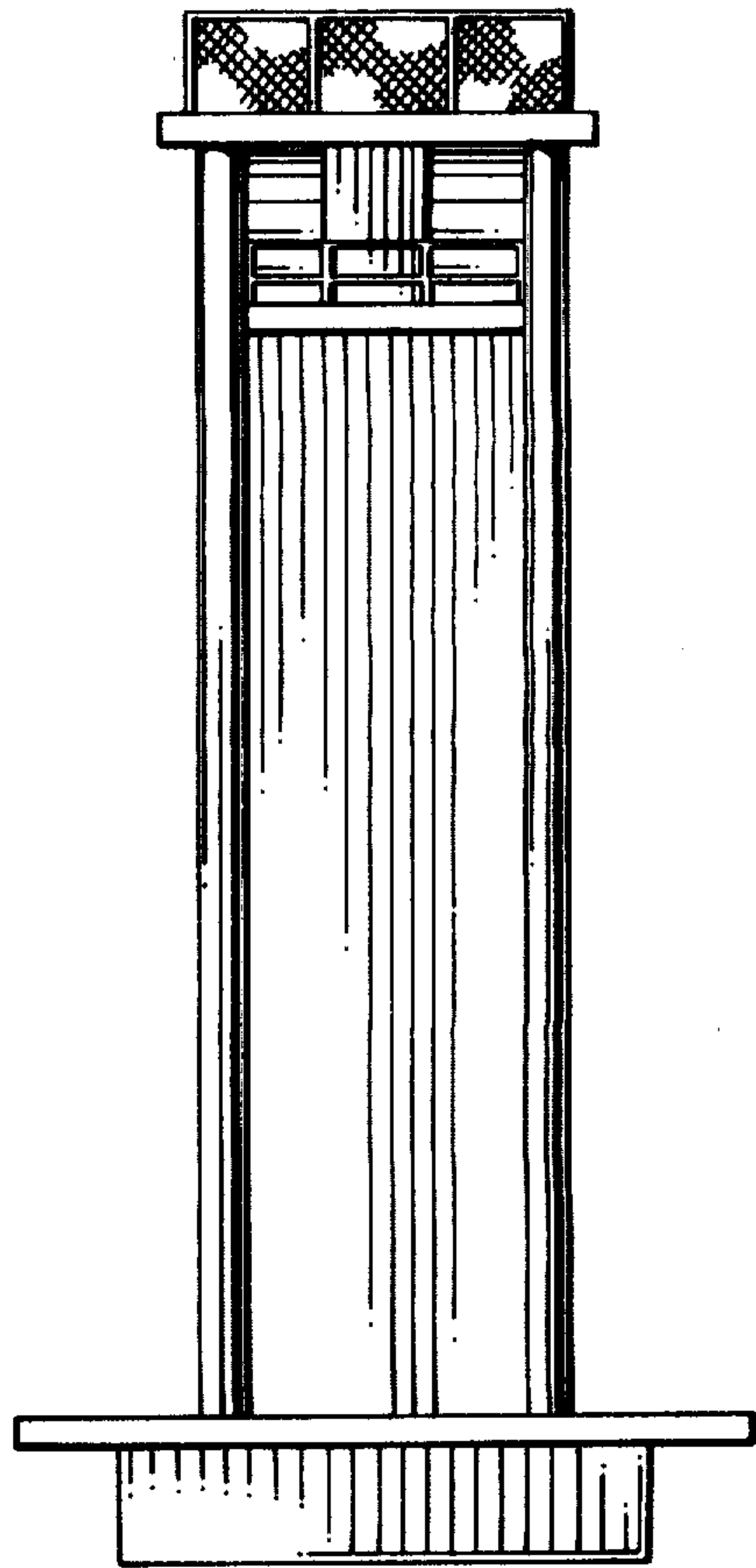


FIG. 6

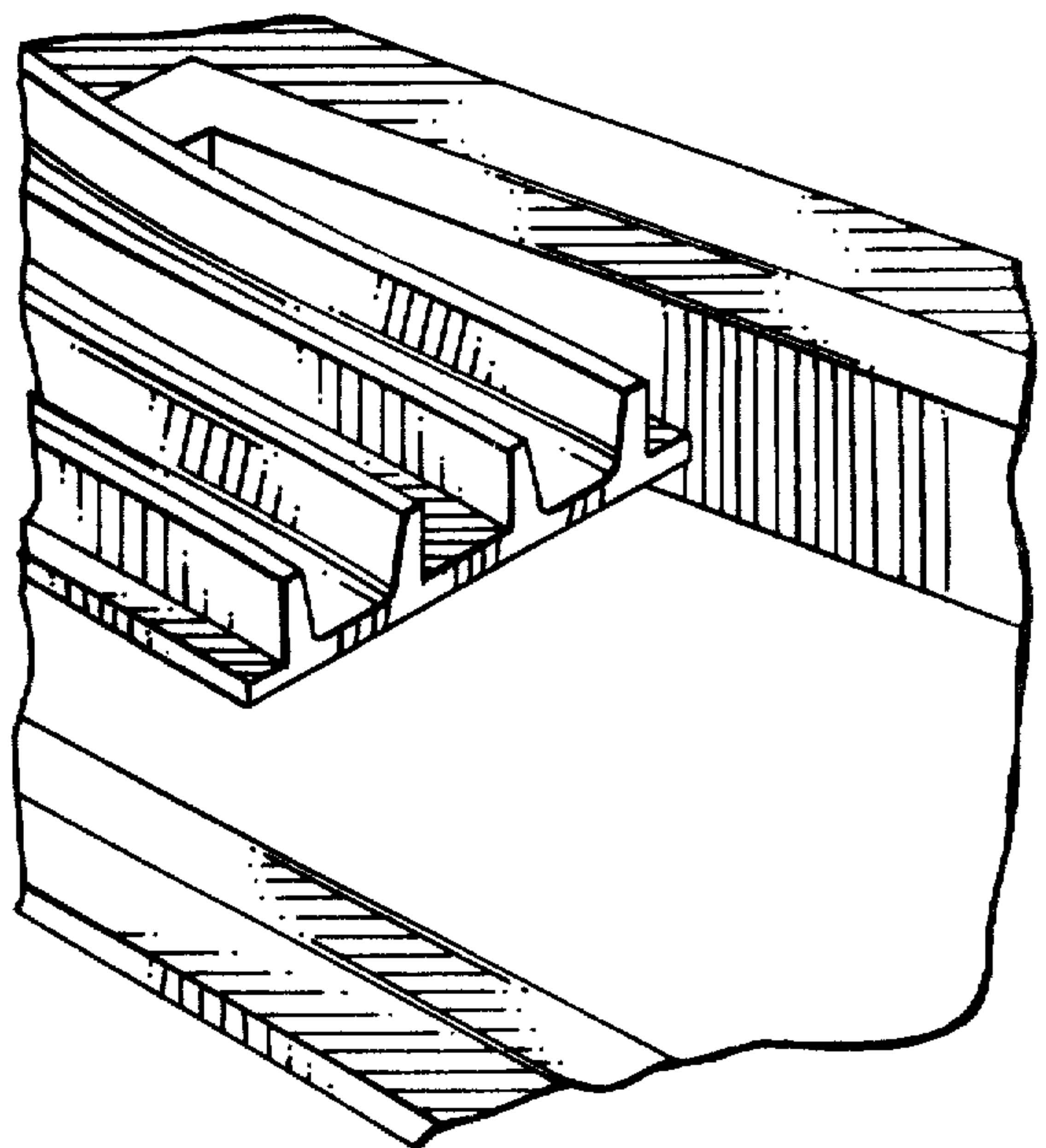


FIG. 7