

[54] GOLFING WRIST CONTROL ATTACHMENT OR THE LIKE

[76] Inventors: George F. Bigham, 1203 Berwick La., South Euclid, Ohio 44121; Rodney B. Johnston, 4800 Dalebridge Rd., Warrensville Heights, Ohio 44128

[\*\*] Term: 14 Years

[21] Appl. No.: 35,250

[22] Filed: May 2, 1979

[51] Int. Cl. D21-02

[52] U.S. Cl. D21/234; D21/233; D24/64

[58] Field of Search D21/234, 233, 196; D24/64; D2/361; 273/189 A, 54 B

[56]

References Cited

U.S. PATENT DOCUMENTS

|           |         |         |           |
|-----------|---------|---------|-----------|
| 3,423,095 | 1/1969  | Cox     | 273/189 A |
| 3,700,245 | 10/1972 | Nannini | 273/189 A |
| 4,014,327 | 3/1977  | Spiro   | 273/189 A |

Primary Examiner—Melvin B. Feifer  
Attorney, Agent, or Firm—Isler & Ornstein

[57]

CLAIM

The ornamental design for a golfing wrist control attachment or the like, as shown and described.

DESCRIPTION

FIG. 1 is a perspective view of a golfing wrist control attachment or the like embodying our new design, showing the top, front, and right side thereof; FIG. 2 is a bottom plan view thereof, with the wrist straps shown only in their fastened position; FIG. 3 is a front elevation thereof; FIG. 4 is a rear elevation thereof.

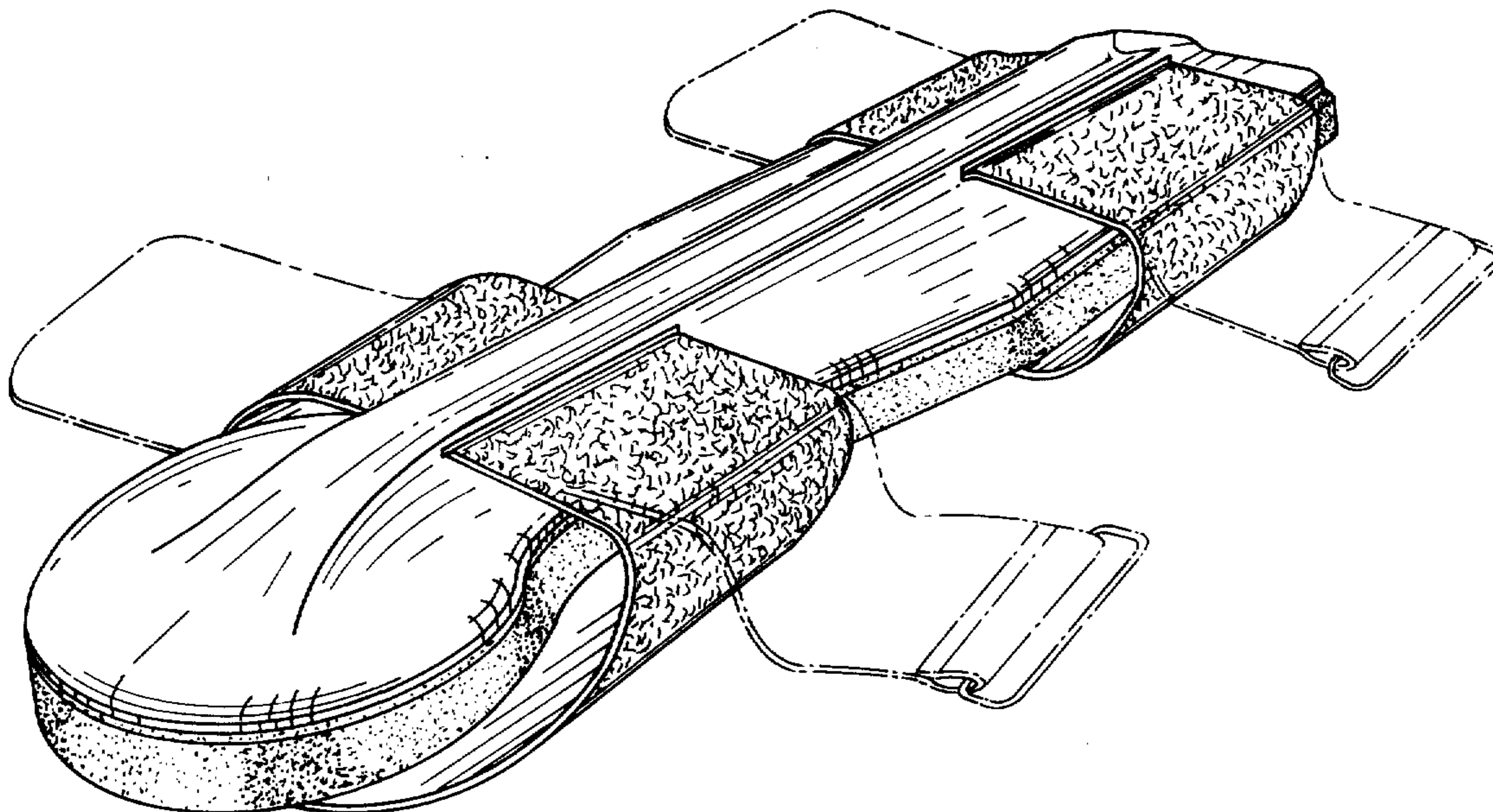


FIG. 1

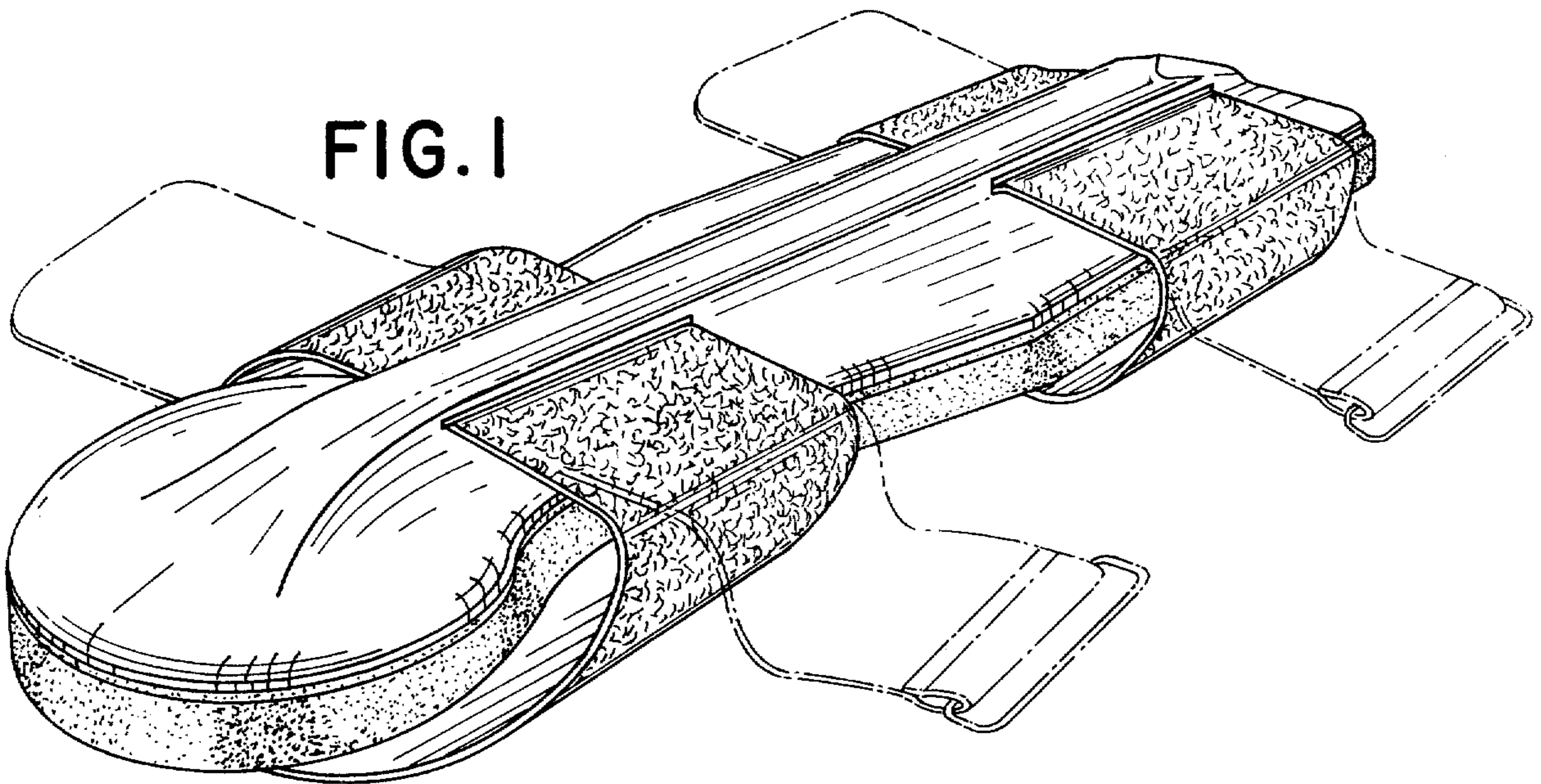


FIG. 2

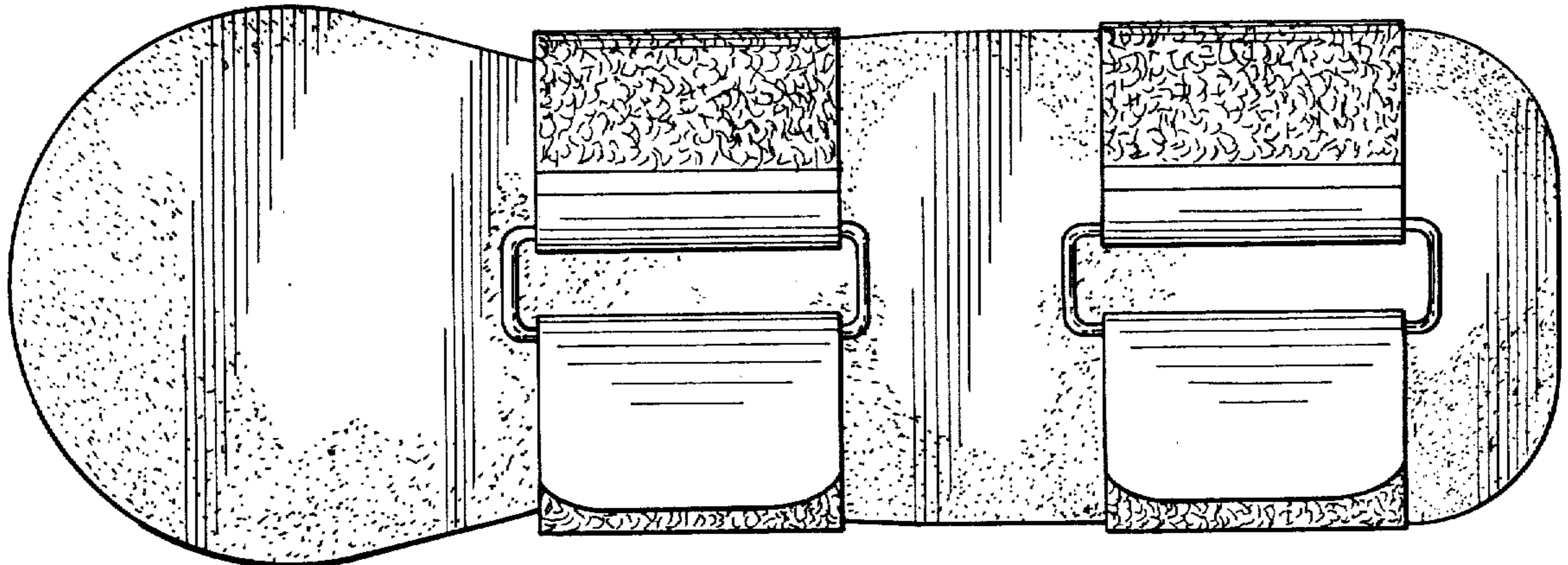


FIG. 3

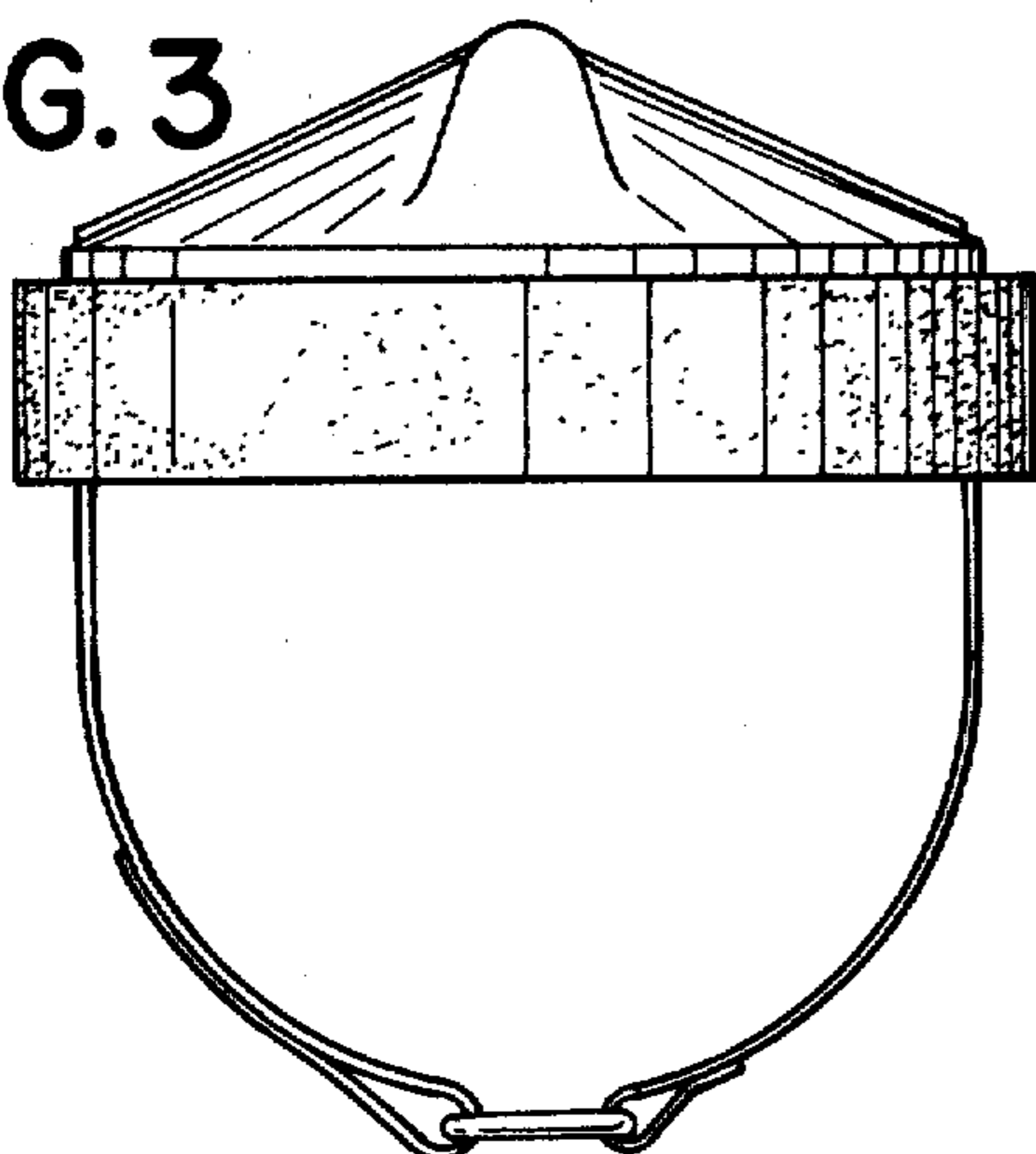


FIG. 4

