

[54] TOY RACE CAR

[75] Inventor: **Kenneth R. Wilkes**, East Aurora, N.Y.

[73] Assignee: **The Quaker Oats Company**, Chicago, Ill.

[**] Term: **14 Years**

[21] Appl. No.: **216,207**

[22] Filed: **Dec. 15, 1980**

[51] Int. Cl. **D21-01**
[52] U.S. Cl. **D21/137**
[58] Field of Search D21/124, 128, 132, 134, D21/135-137, 140, 76, 79, 81; 46/103, 105, 201, 202, 204, 206, 210, 211, 212, 213; 280/87.01, 87.02 R

[56]

References Cited

U.S. PATENT DOCUMENTS

D. 219,525 12/1970 Tauranac D21/137
D. 226,813 5/1973 French D21/137
D. 239,865 5/1976 Pinsler et al. D21/136

OTHER PUBLICATIONS

Toys, 3-1980, p. 6, Toy Race Car second from left, bottom row.

Primary Examiner—Charles A. Rademaker
Attorney, Agent, or Firm—Cumpston & Shaw

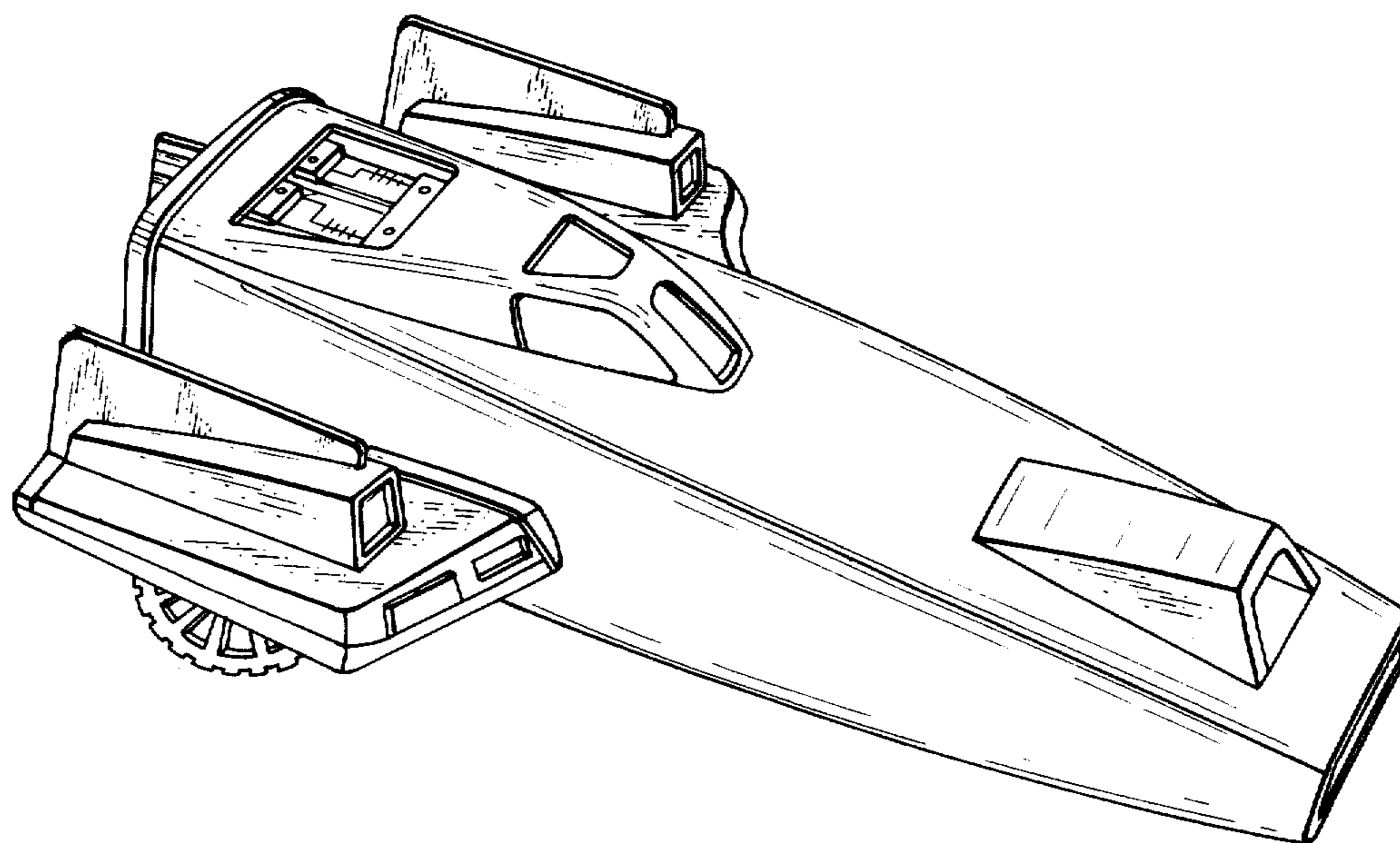
[57]

CLAIM

The ornamental design for a toy race car, substantially as shown.

DESCRIPTION

FIG. 1 is a front perspective view of a toy race car showing my new design;
FIG. 2 is a left-side elevational view thereof;
FIG. 3 is a bottom plan view thereof; and
FIG. 4 is rear elevational view thereof.



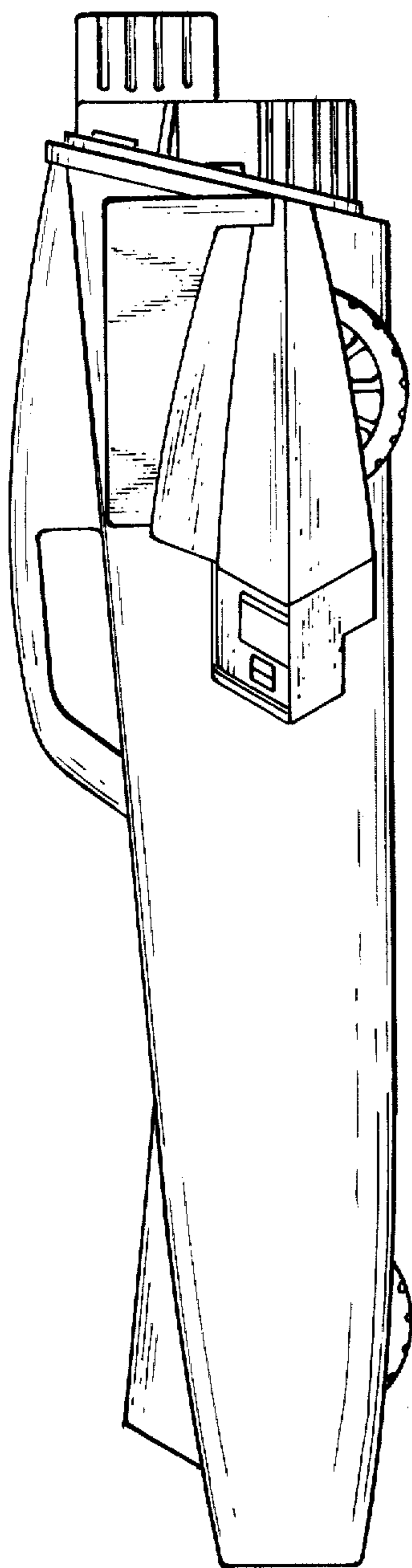


FIG. 2

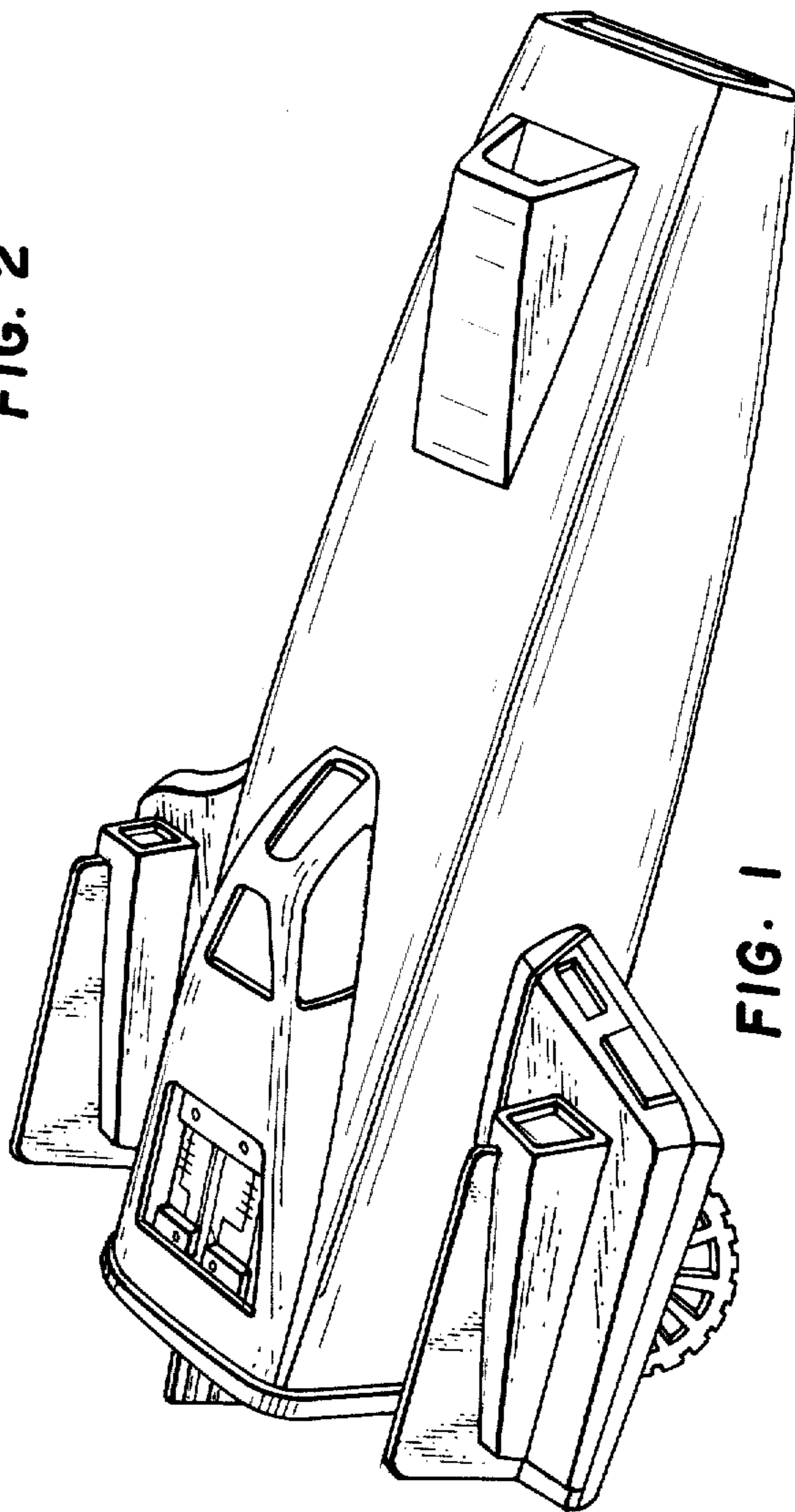


FIG. 1

