

[54] TOY TRACTOR

[75] Inventor: **Kenneth R. Wilkes**, East Aurora,
N.Y.
[73] Assignee: **The Quaker Oats Company**, Chicago,
Ill.
[**] Term: **14 Years**
[21] Appl. No.: **228,776**
[22] Filed: **Jan. 27, 1981**

[51] Int. Cl. **D21-01**
[52] U.S. Cl. **D21/132; D15/23**
[58] Field of Search **D15/23; D21/124, 128,**
D21/132, 134, 135-137, 76, 78, 79; 46/214, 201,
221, 222

[56]

References Cited

U.S. PATENT DOCUMENTS

D. 213,312	2/1969	Renquist	D15/23
D. 224,588	8/1972	Bauer	D15/23
D. 231,006	3/1974	Root	D15/23
D. 238,955	2/1976	Peterson	D21/79

Primary Examiner—Charles A. Rademaker
Attorney, Agent, or Firm—Cumpston & Shaw

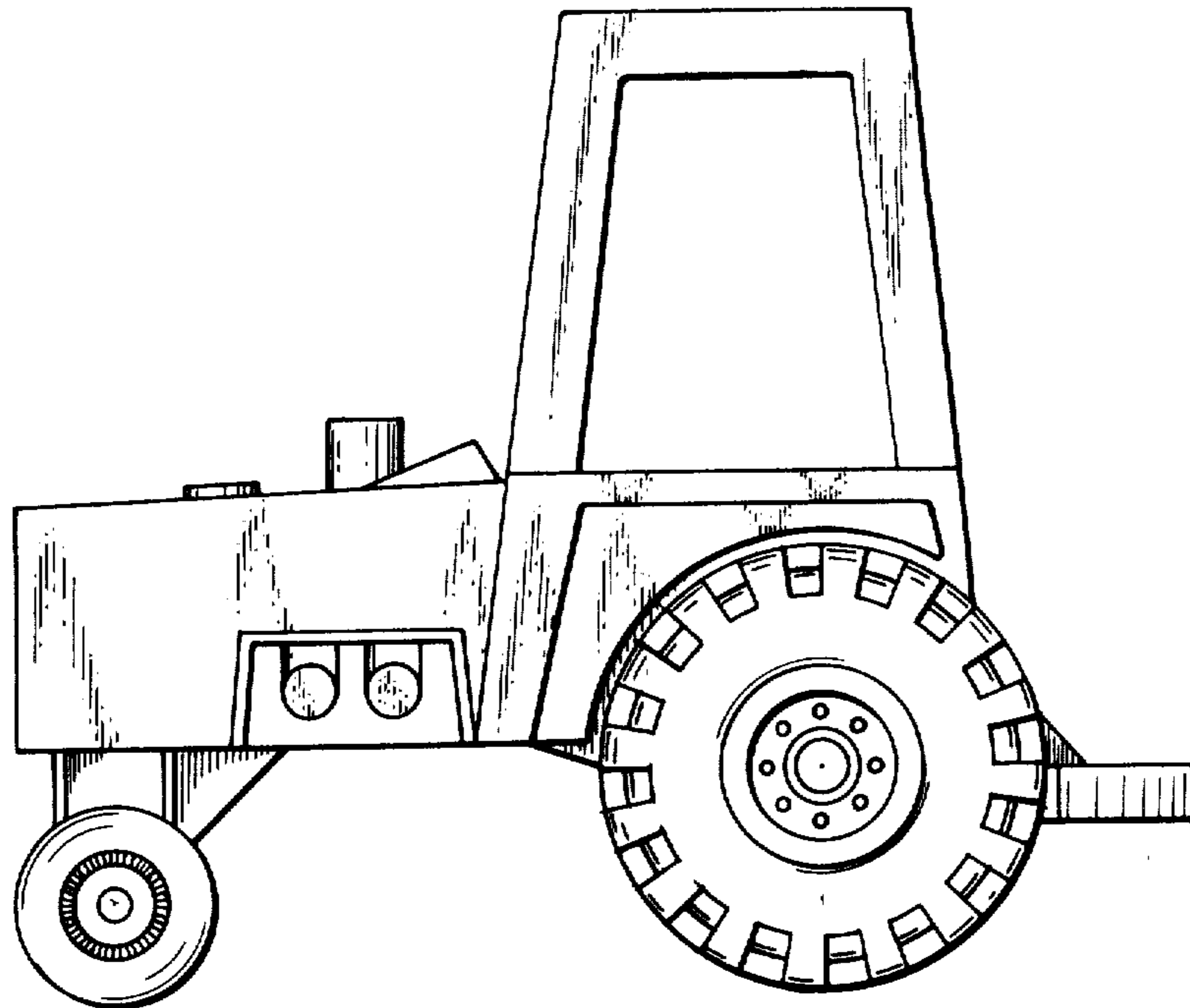
[57]

CLAIM

The ornamental design for a toy tractor, substantially as shown.

DESCRIPTION

FIG. 1 is a left-side elevational view of a toy tractor showing my new design;
FIG. 2 is a top plan view thereof;
FIG. 3 is a right-side elevational view thereof;
FIG. 4 is a front elevational view thereof;
FIG. 5 is a rear elevational view thereof; and
FIG. 6 is a bottom plan view thereof.



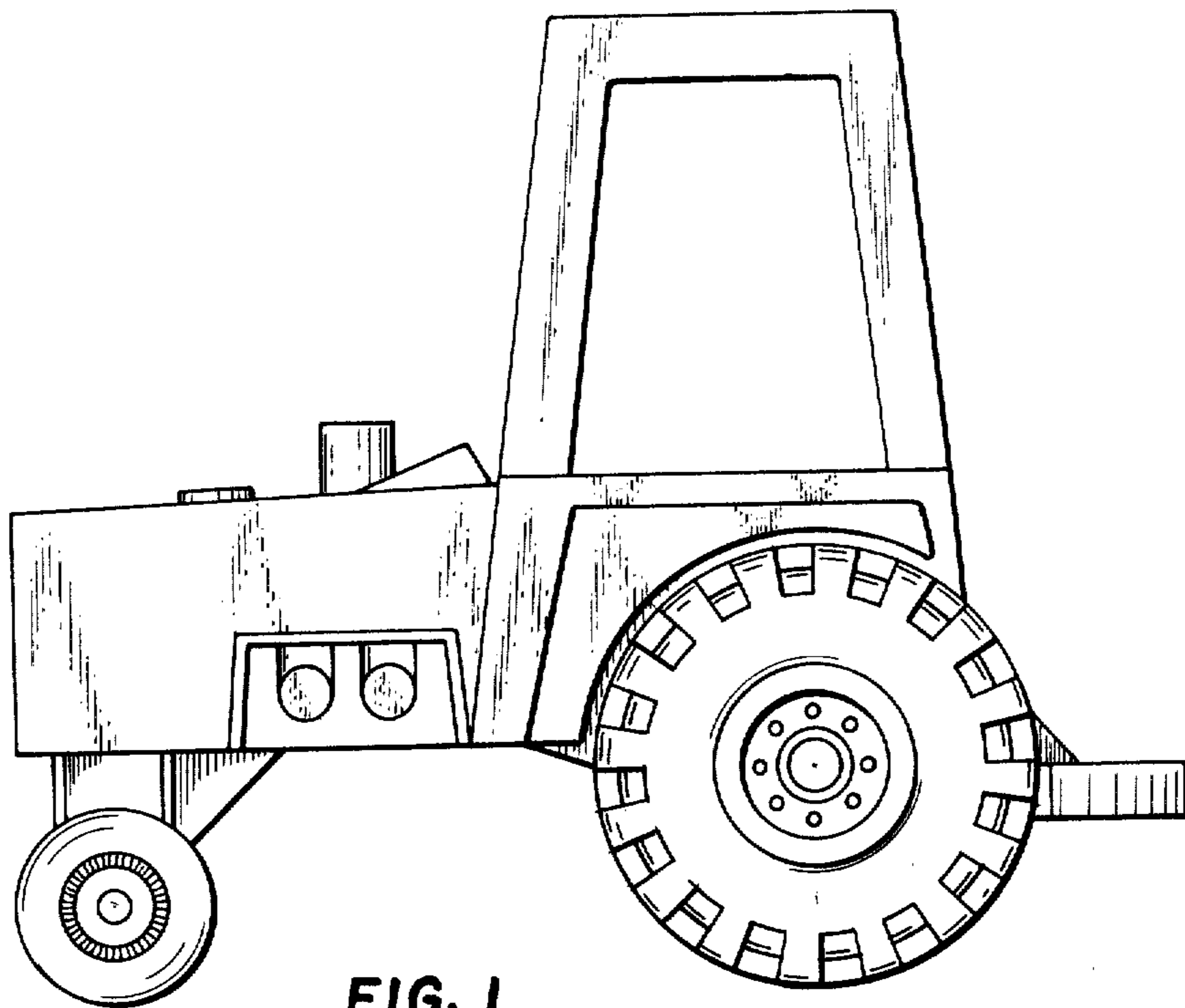


FIG. 1

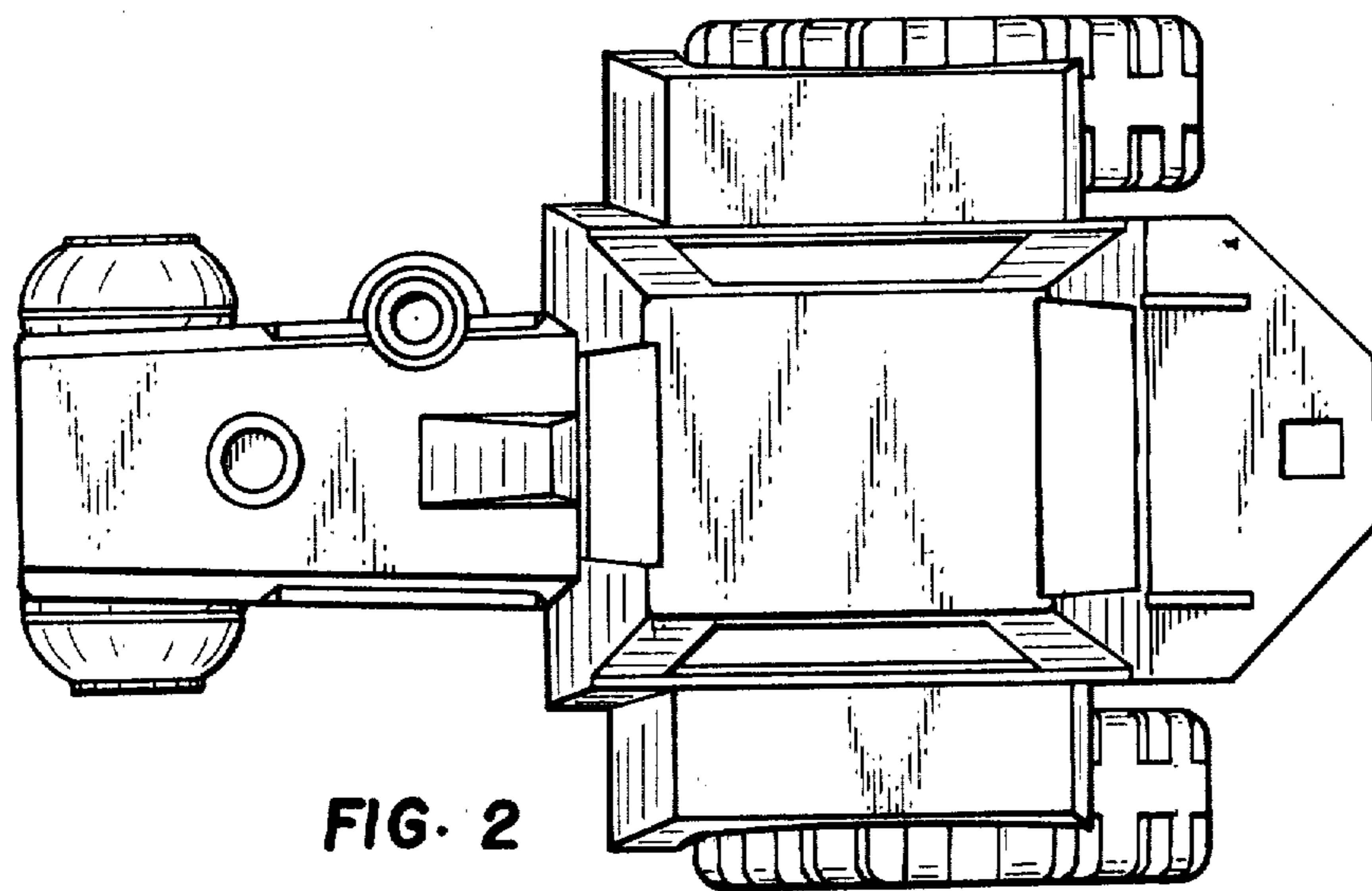


FIG. 2

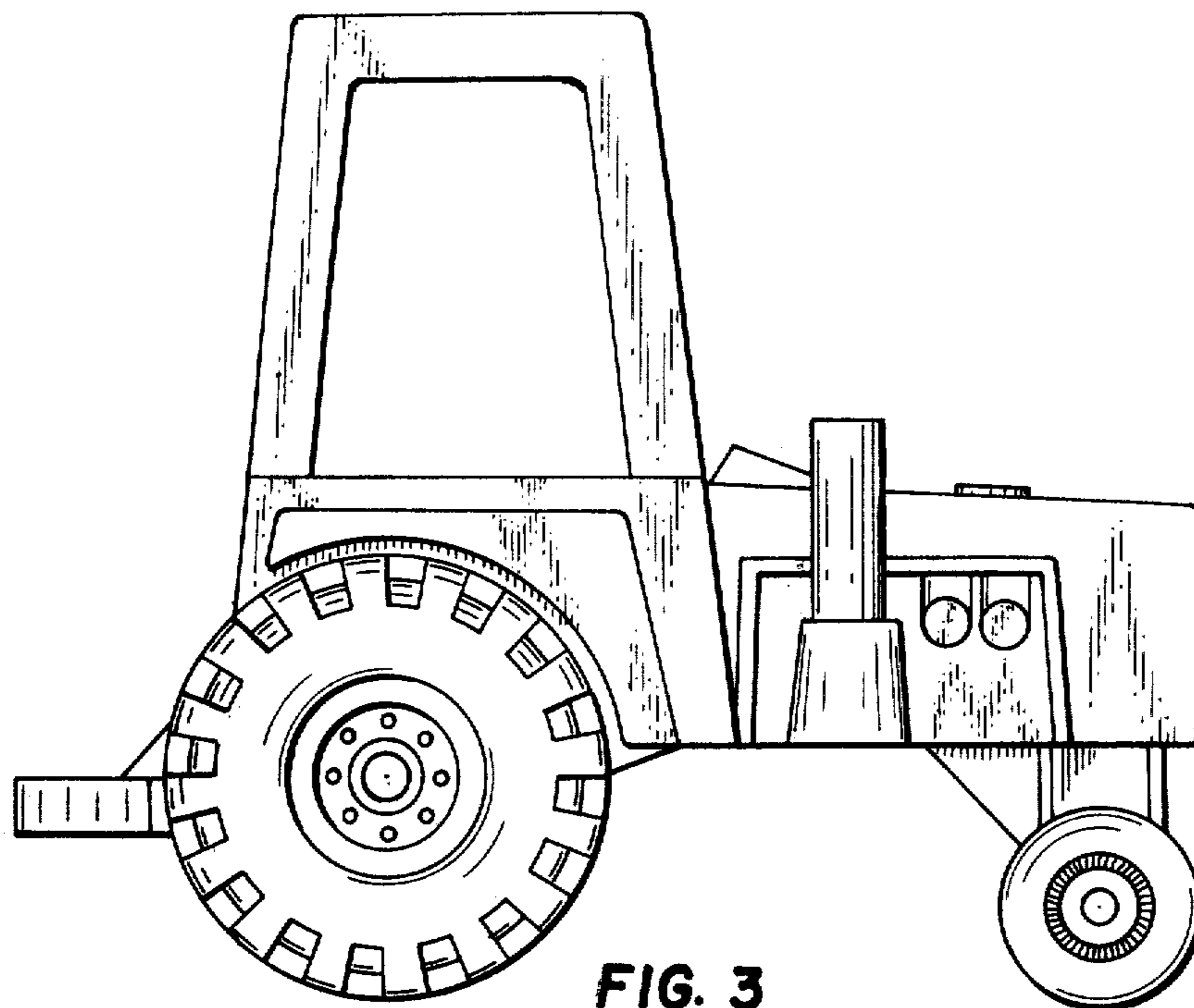


FIG. 3

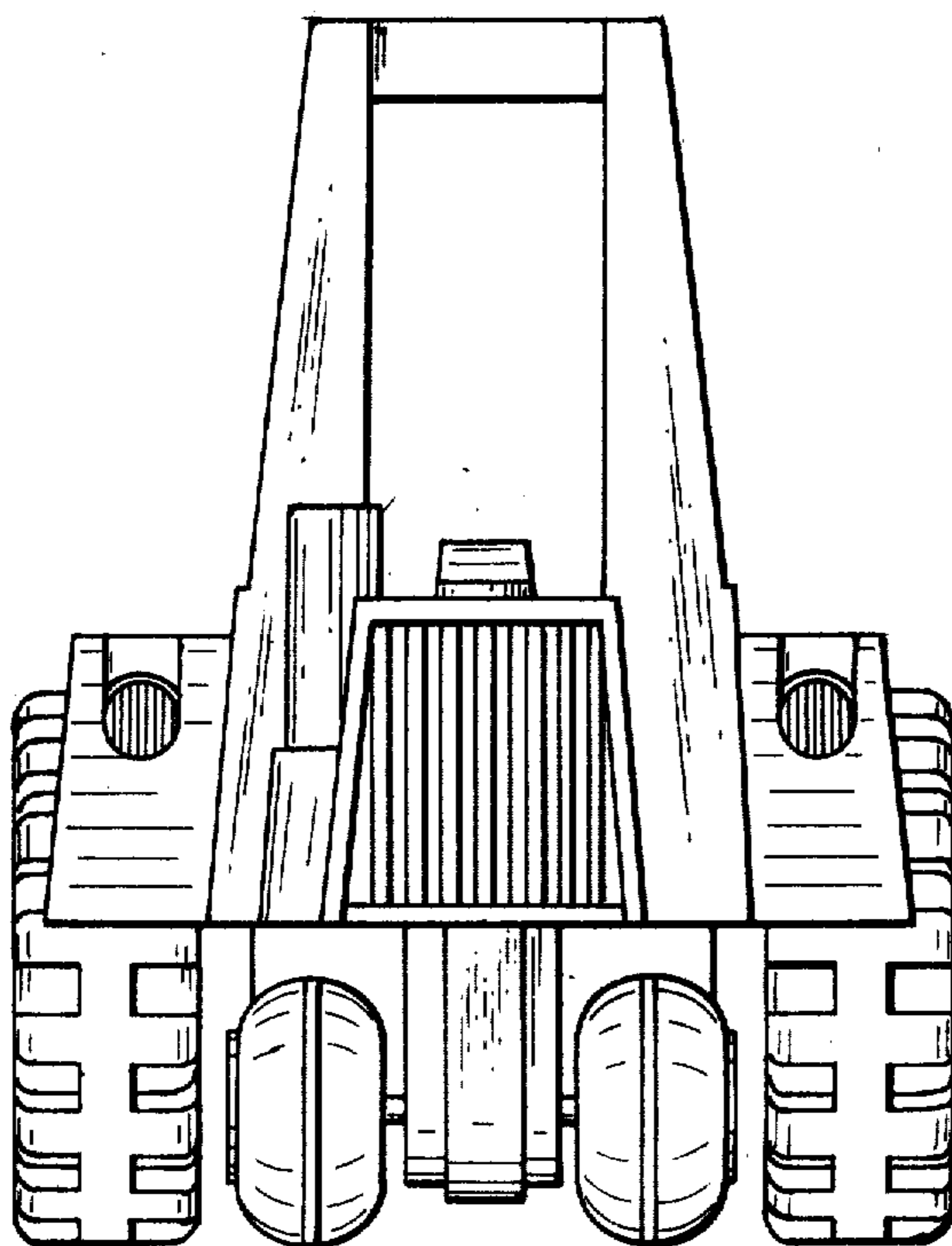


FIG. 4

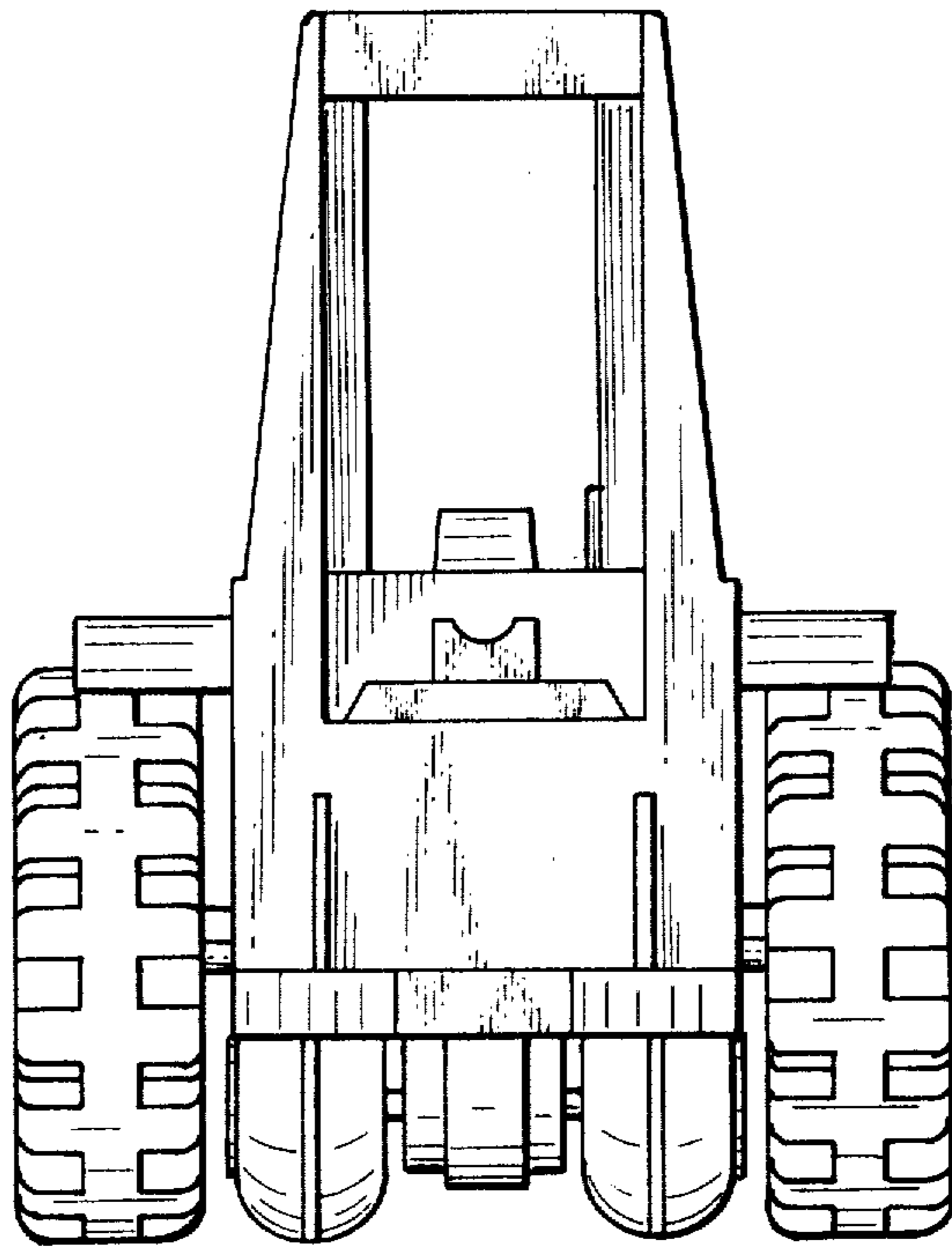


FIG. 5

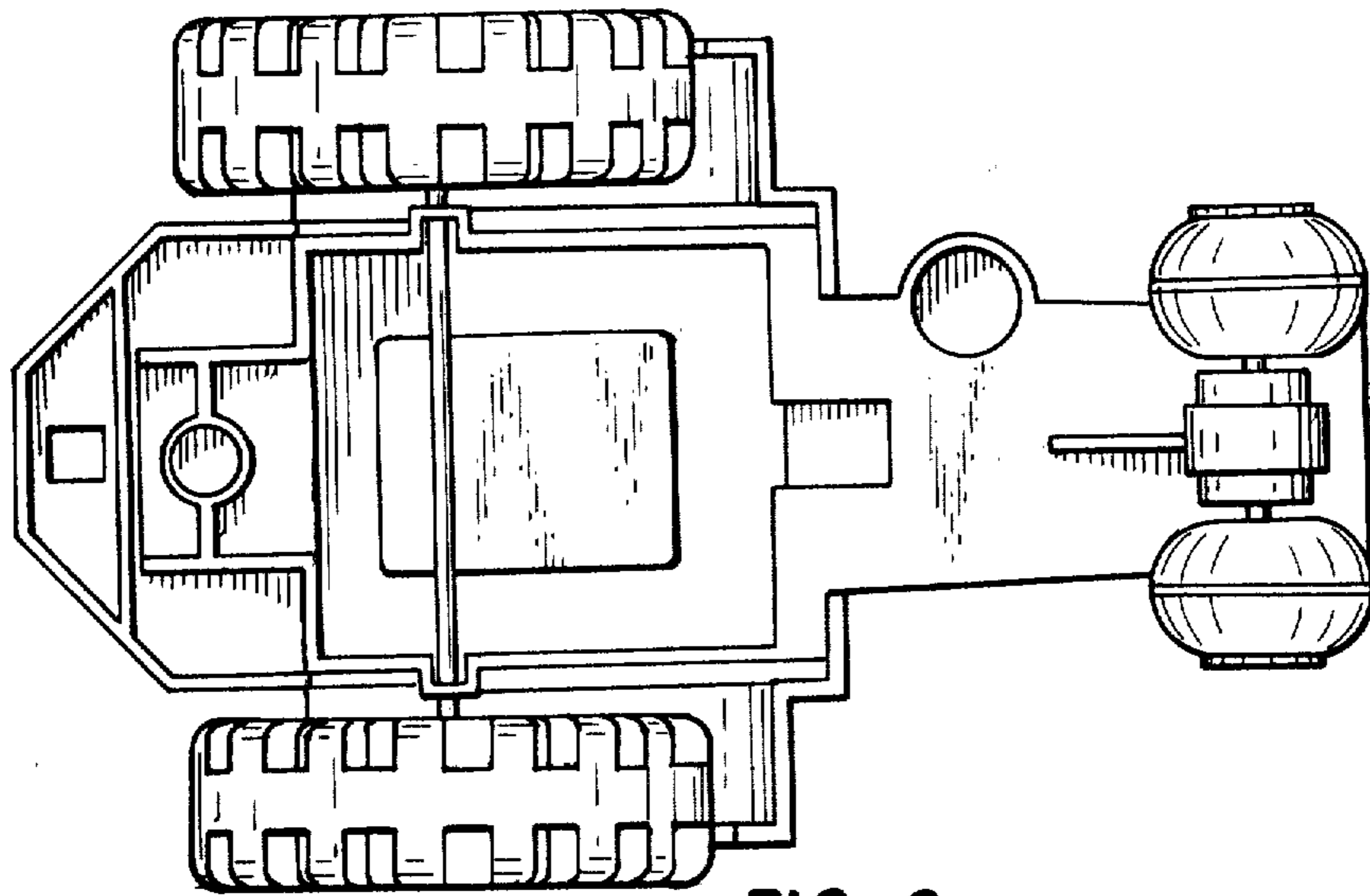


FIG. 6