

[54] SINGLE LENS REFLEX CAMERA

[75] Inventors: Herbert Schultes, Fürstfeldbruck; Karl-Heinz Rubner, Munich, both of Fed. Rep. of Germany

[73] Assignee: Agfa-Gevaert AG, Leverkusen, Fed. Rep. of Germany

[**] Term: 14 Years

[21] Appl. No.: 172,430

[22] Filed: Jul. 25, 1980

[51] Int. Cl. D16-01

[52] U.S. Cl. D16/8

[58] Field of Search D16/1-10, D16/38; 354/288, 202, 152-163, 170-174

[56] References Cited

U.S. PATENT DOCUMENTS

- D. 251,975 5/1979 Kramer D16/8
- D. 253,475 11/1979 Kramer D16/6

OTHER PUBLICATIONS

Konica FS-1 Flyer-2/79-front cover-SLR Camera.
Rolleiflex SL 35E Flyer-7/78-front cover-SLR Camera.

Hi-Fi Stereo Review-4/68-p. 82-SLR Camera at right.

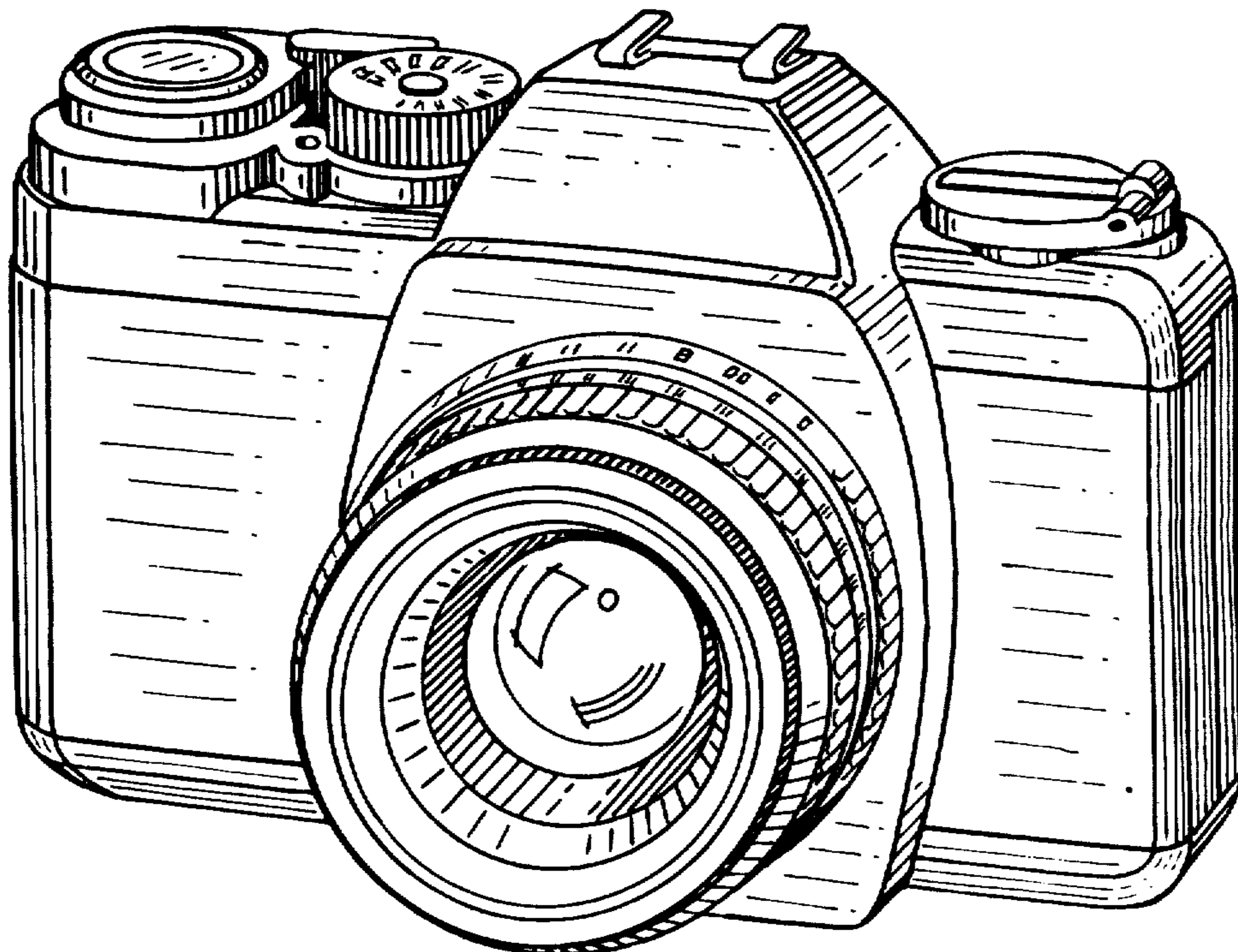
Primary Examiner-Nelson C. Holtje
Attorney, Agent, or Firm-Michael J. Striker

[57] CLAIM

The ornamental design for a single lens reflex camera, substantially as shown and described.

DESCRIPTION

FIG. 1 is a top and right front perspective view of a single lens reflex camera showing our new design;
 FIG. 2 is a front elevational view thereof;
 FIG. 3 is a rear elevational view thereof;
 FIG. 4 is a top plan view thereof;
 FIG. 5 is a bottom plan view thereof;
 FIG. 6 is a right side elevational view thereof;
 FIG. 7 is a left side elevational view thereof.



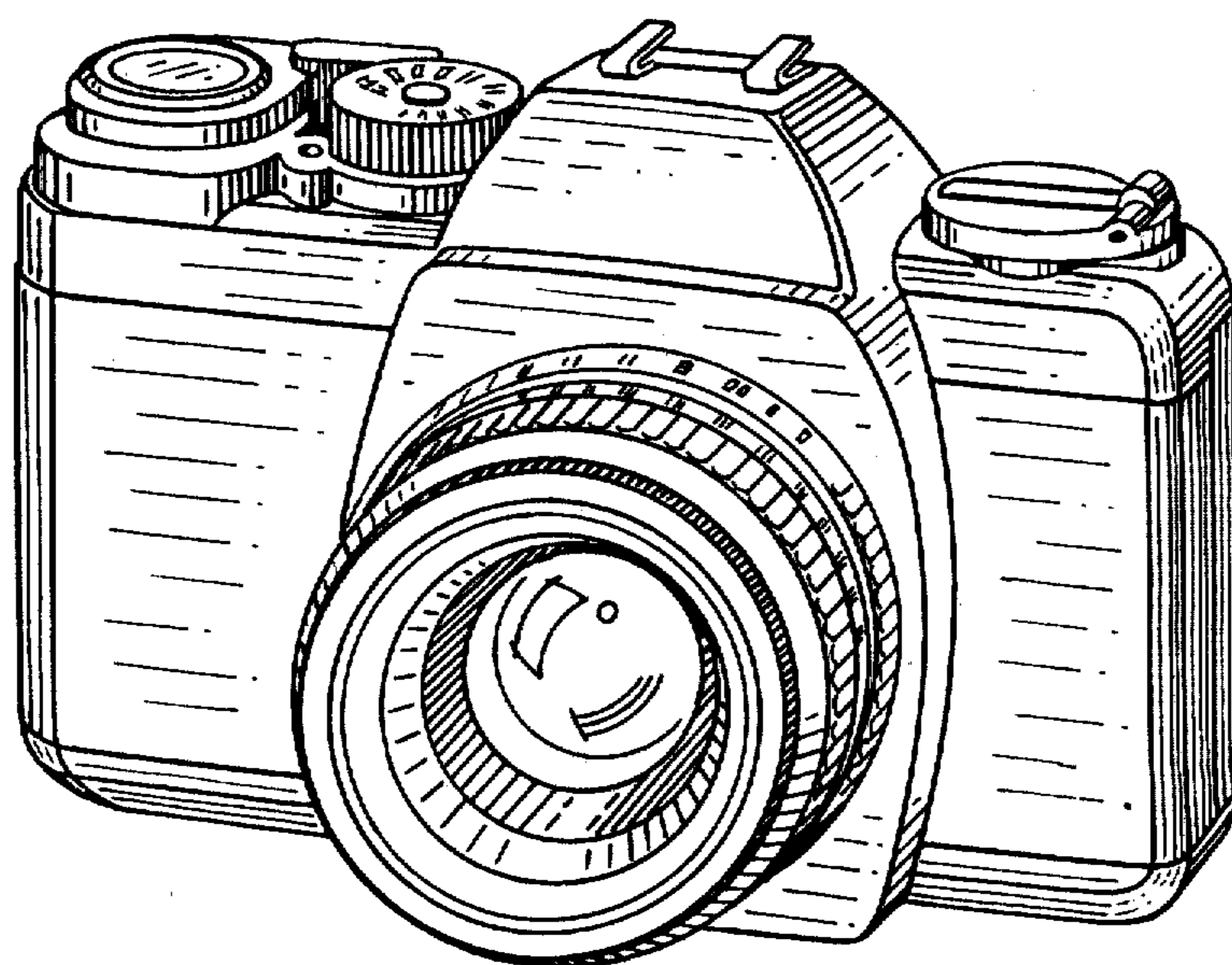


Fig. 1

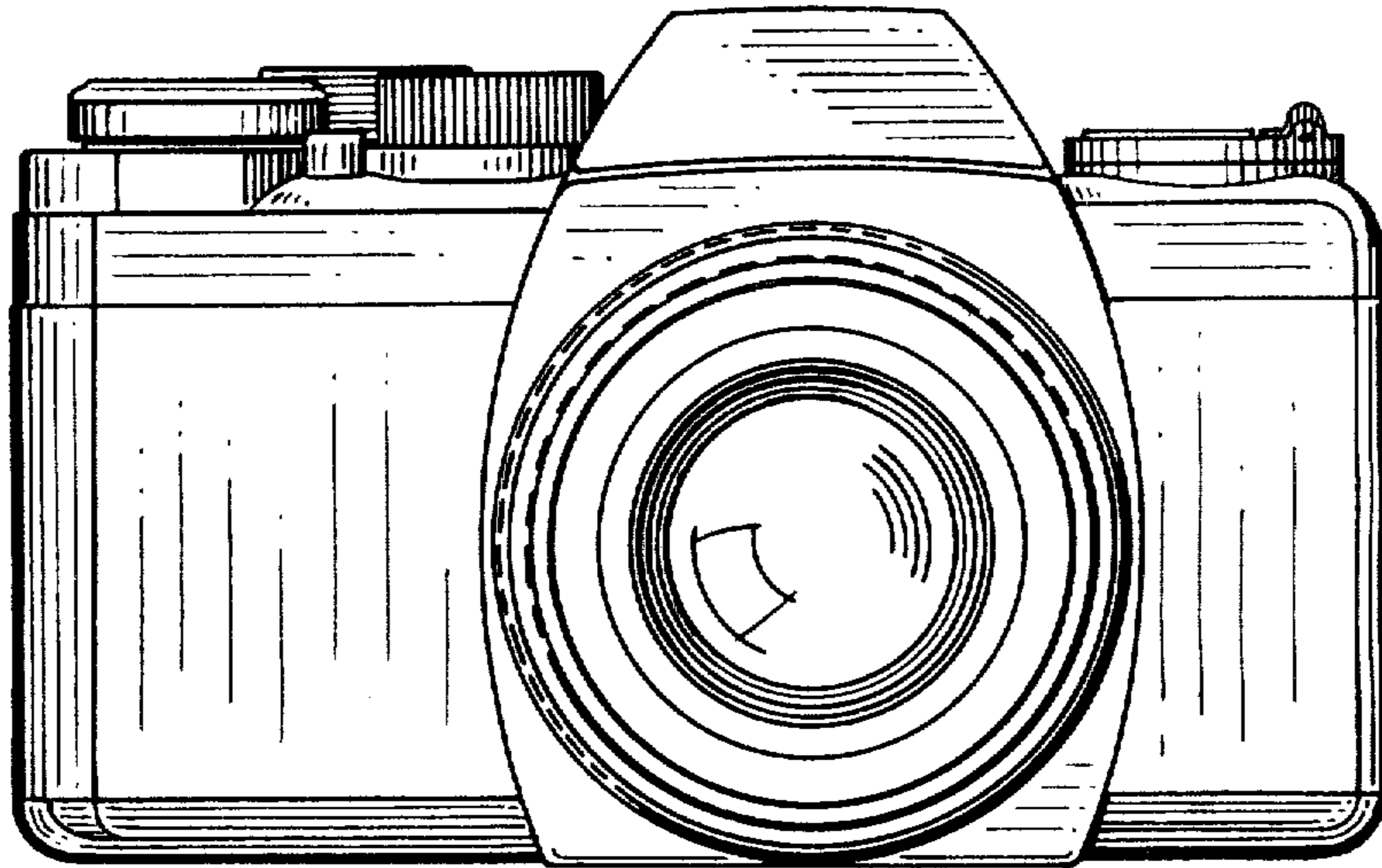


Fig. 2

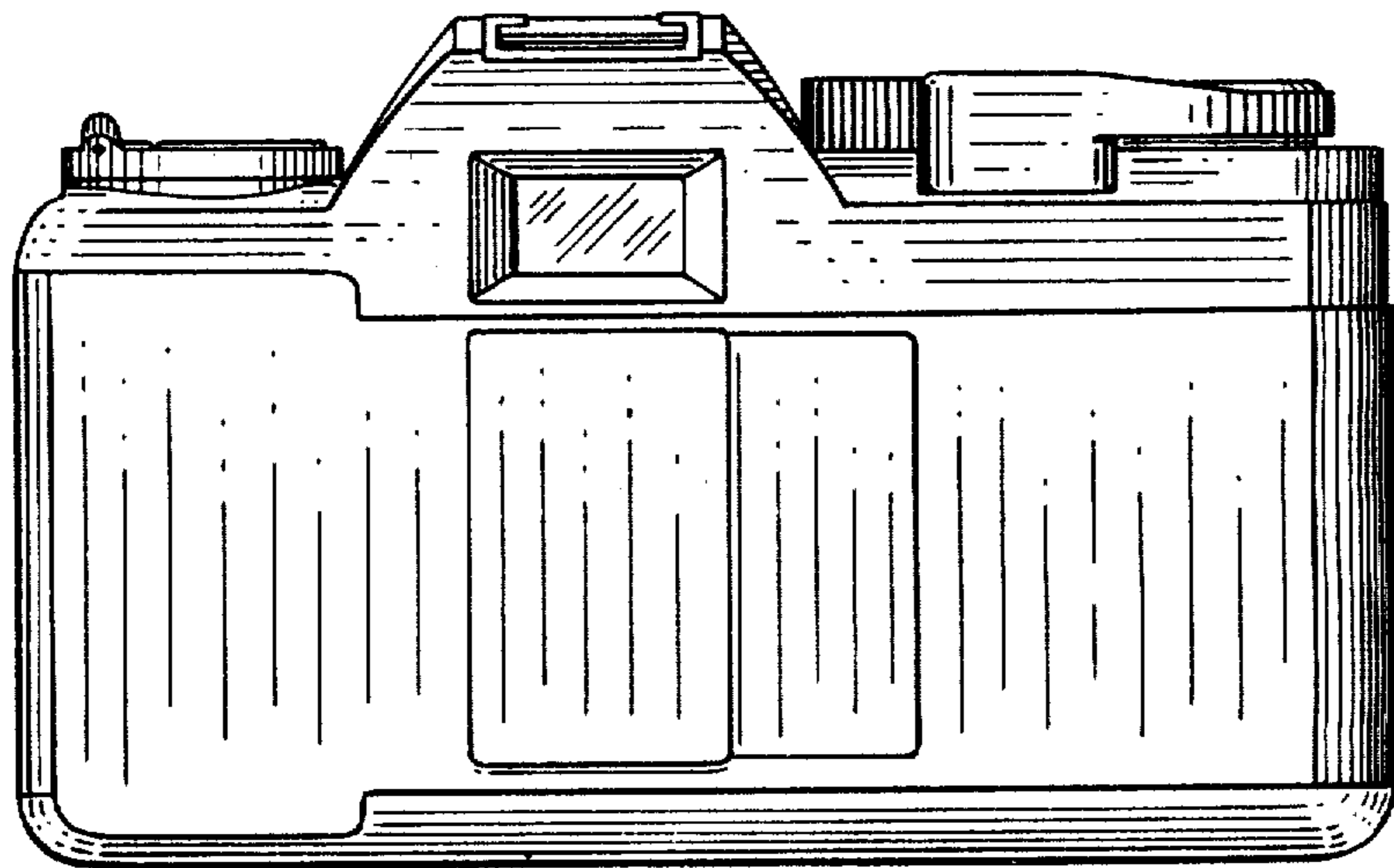


Fig. 3

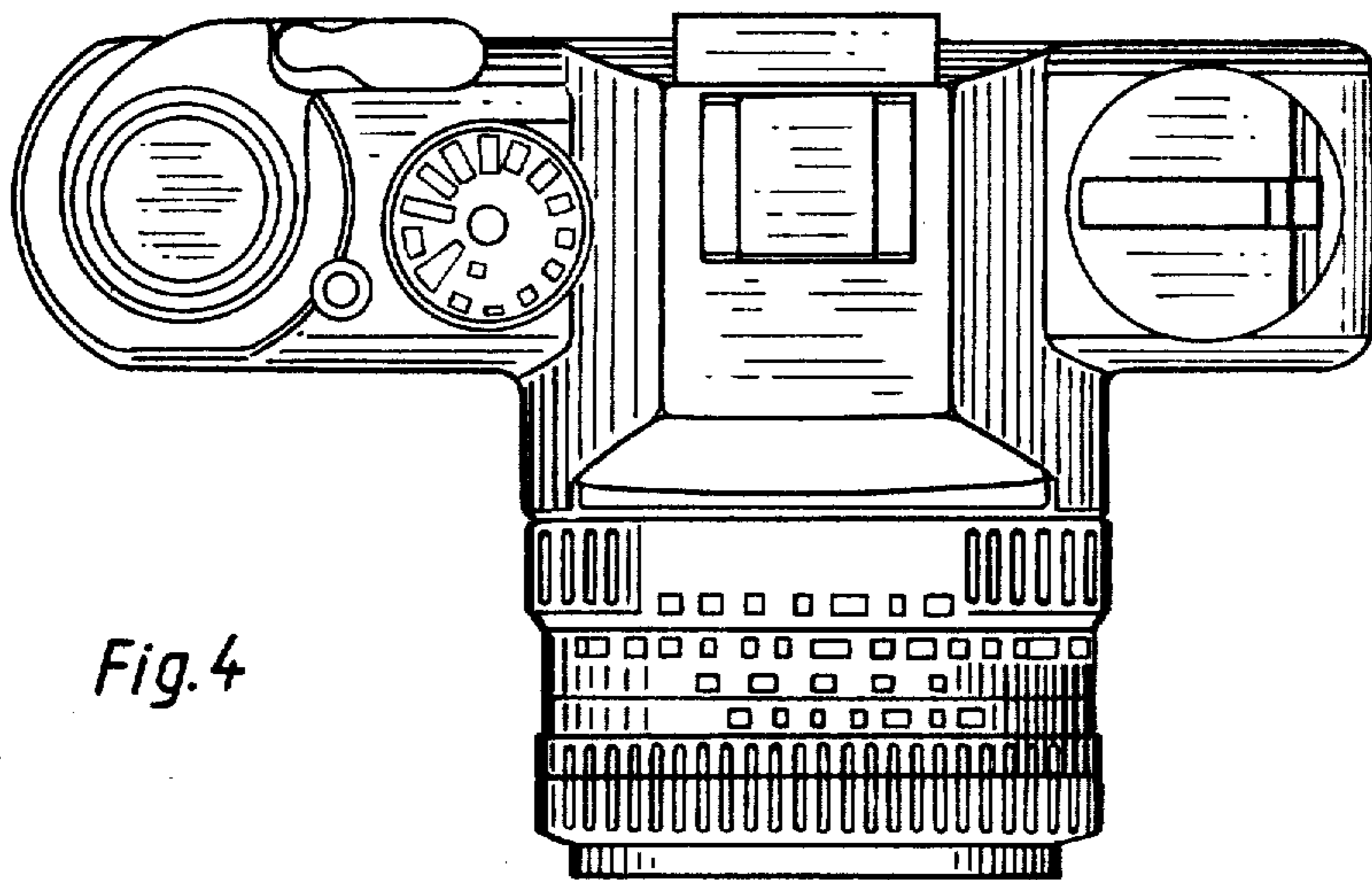


Fig. 4

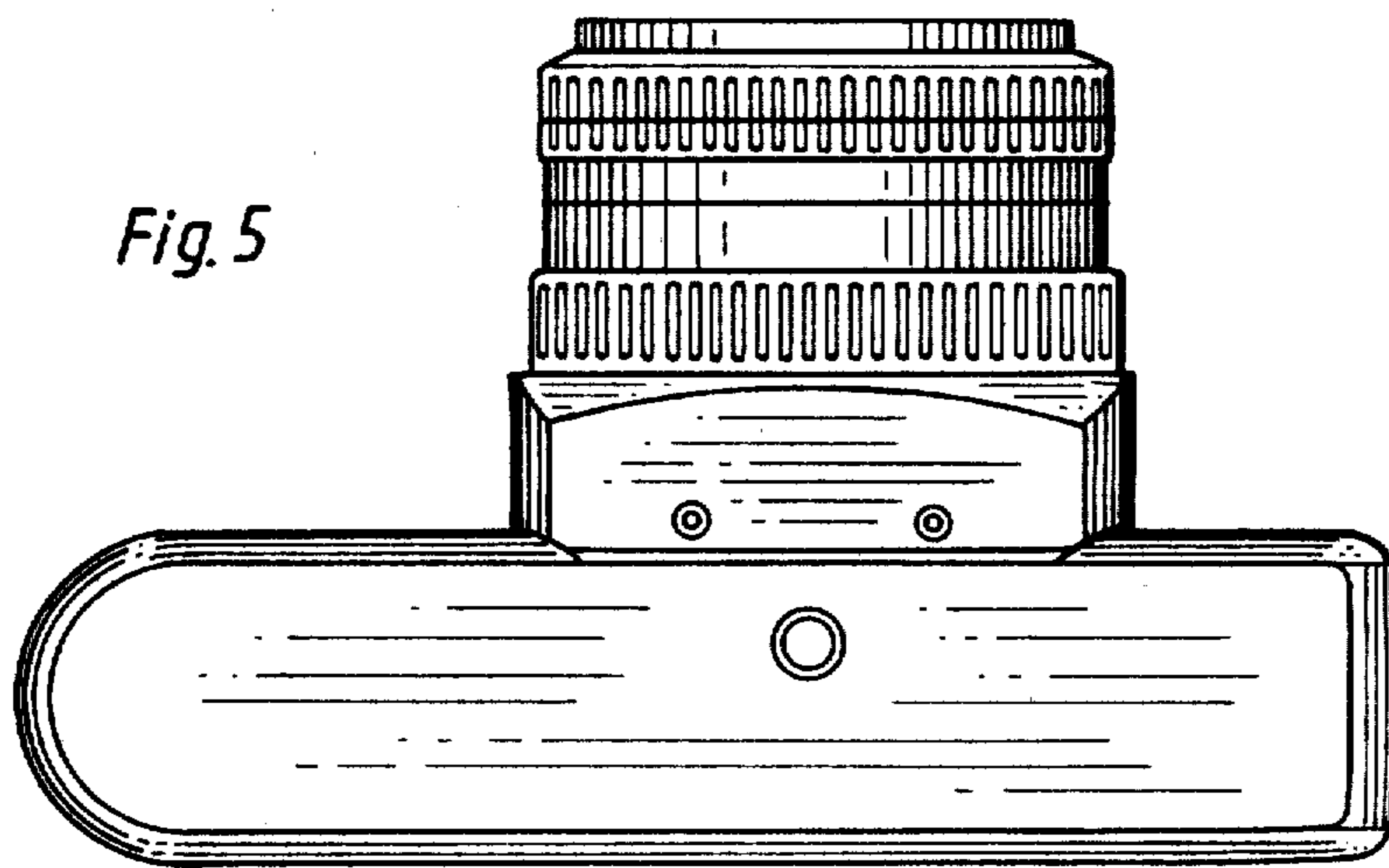


Fig. 5

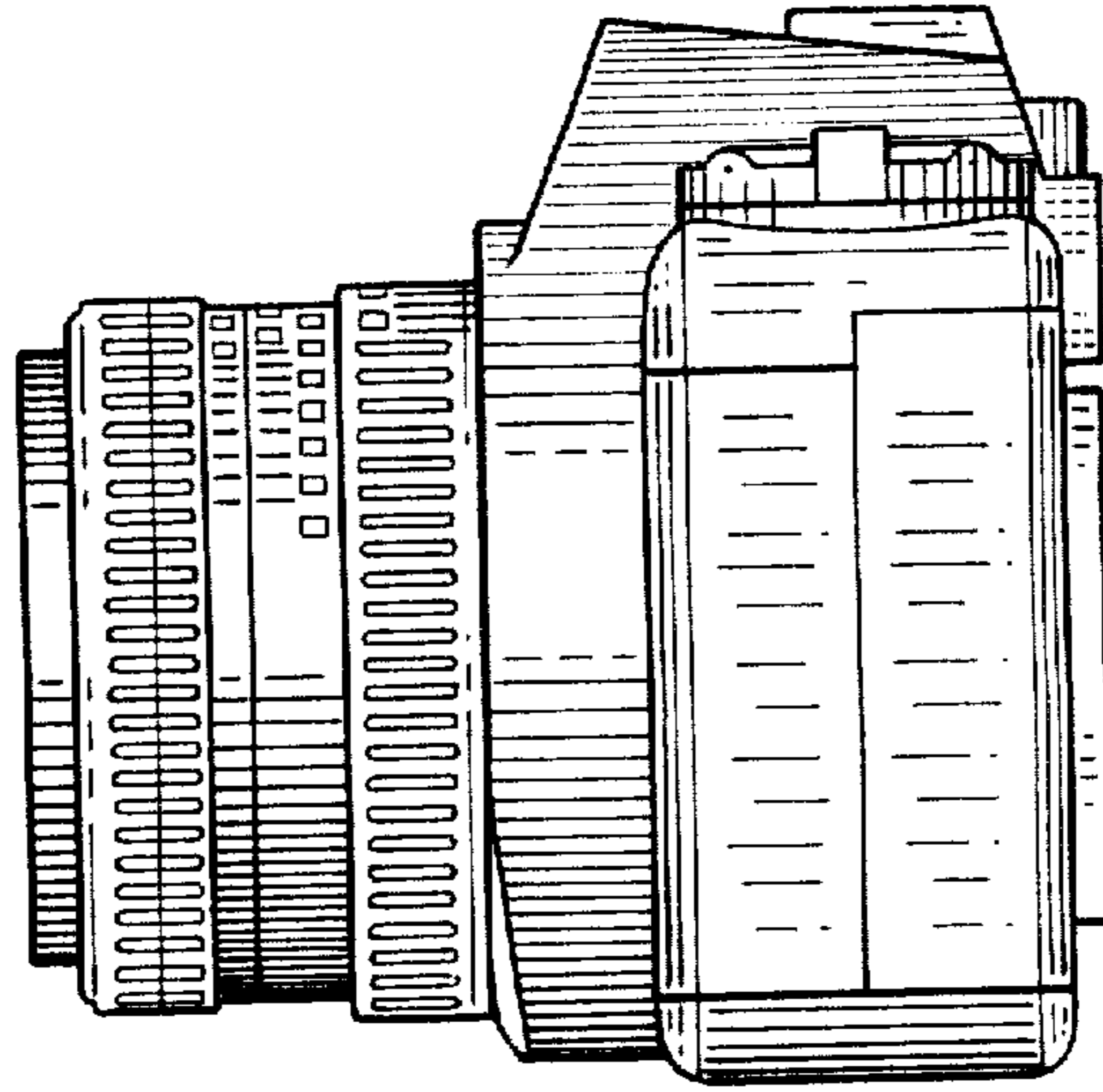


Fig. 6

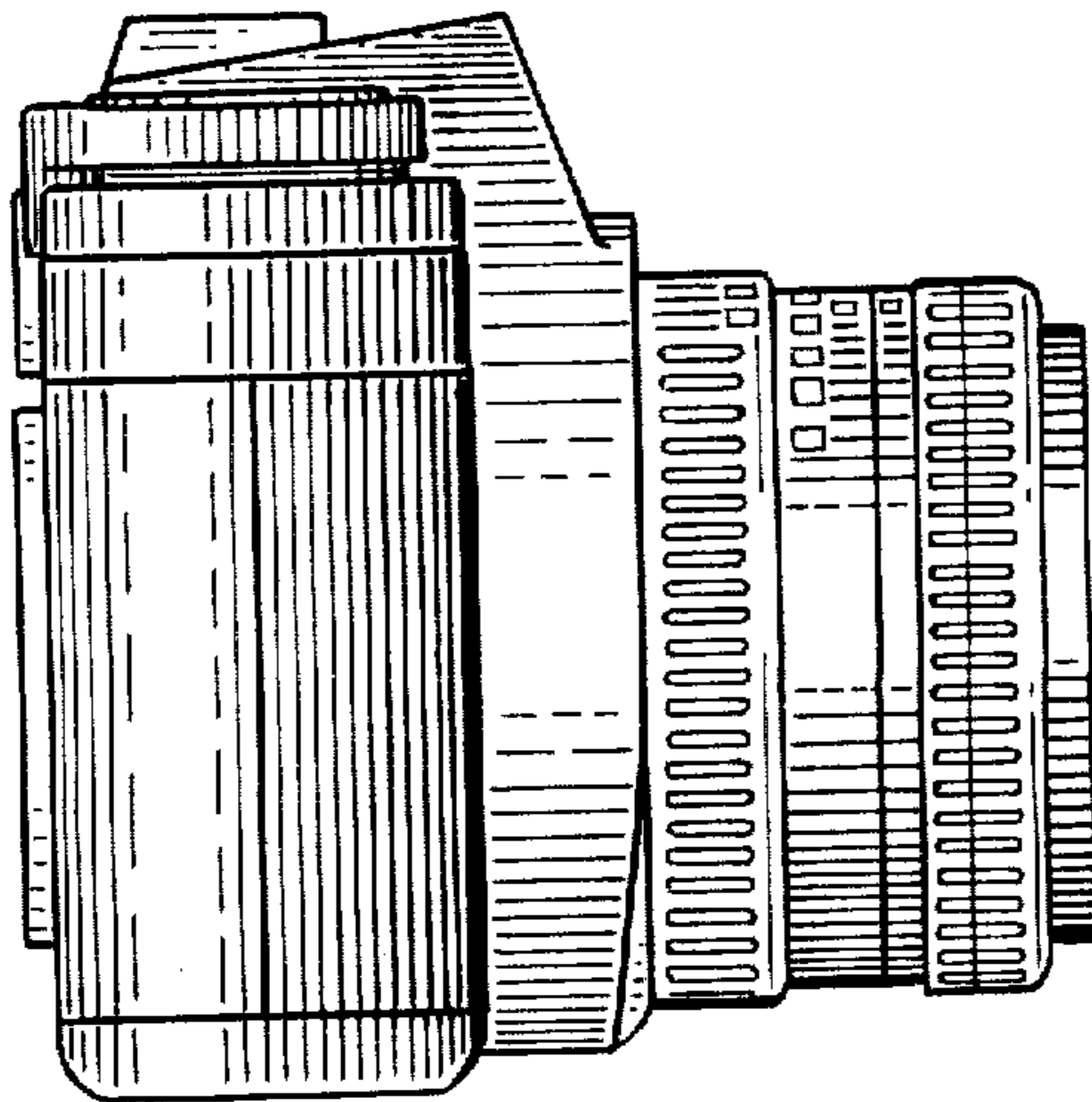


Fig. 7