

[54] COMBINATION SUPPORT AND CONTROL FOR A HEAT SHRINK ROLLER

[76] Inventor: Shirley F. Fleshman, P.O. Box 75402, Oklahoma City, Okla. 73147

[\*\*] Term: 14 Years

[21] Appl. No.: 40,329

[22] Filed: May 18, 1979

[51] Int. Cl. .... D15-99

[52] U.S. Cl. .... D15/144; D15/148; D15/146; D6/114; D6/125; 248/300; 248/311.2; 248/313; 248/DIG. 5

[58] Field of Search .... D15/144, 145, 146; D6/114, 125; 248/300, 311.2, 313, DIG. 5

[56] References Cited

U.S. PATENT DOCUMENTS

D. 236,950	9/1975	Goldman	.....	D30/12
2,488,326	11/1949	Pratt	.....	248/309
3,007,177	11/1961	Jackson et al.	.....	248/DIG. 5
3,857,015	12/1974	Clark et al.	.....	156/579

3,870,212 3/1975 Polk ..... 248/311.2

OTHER PUBLICATIONS

Lafayette 1975 Electronics Catalog No. 750, Syosset, L. J., N.Y. p. 70.

Primary Examiner—Veronica O’Keefe  
Attorney, Agent, or Firm—Dunlap & Codding

[57] CLAIM

The ornamental design for a combination support and control for a heat shrink roller, as shown and described.

DESCRIPTION

FIG. 1 is a front elevational view of a combination support and control for a heat shrink roller design of the present invention.

FIG. 2 is a bottom plan view thereof.

FIG. 3 is a top plan view thereof.

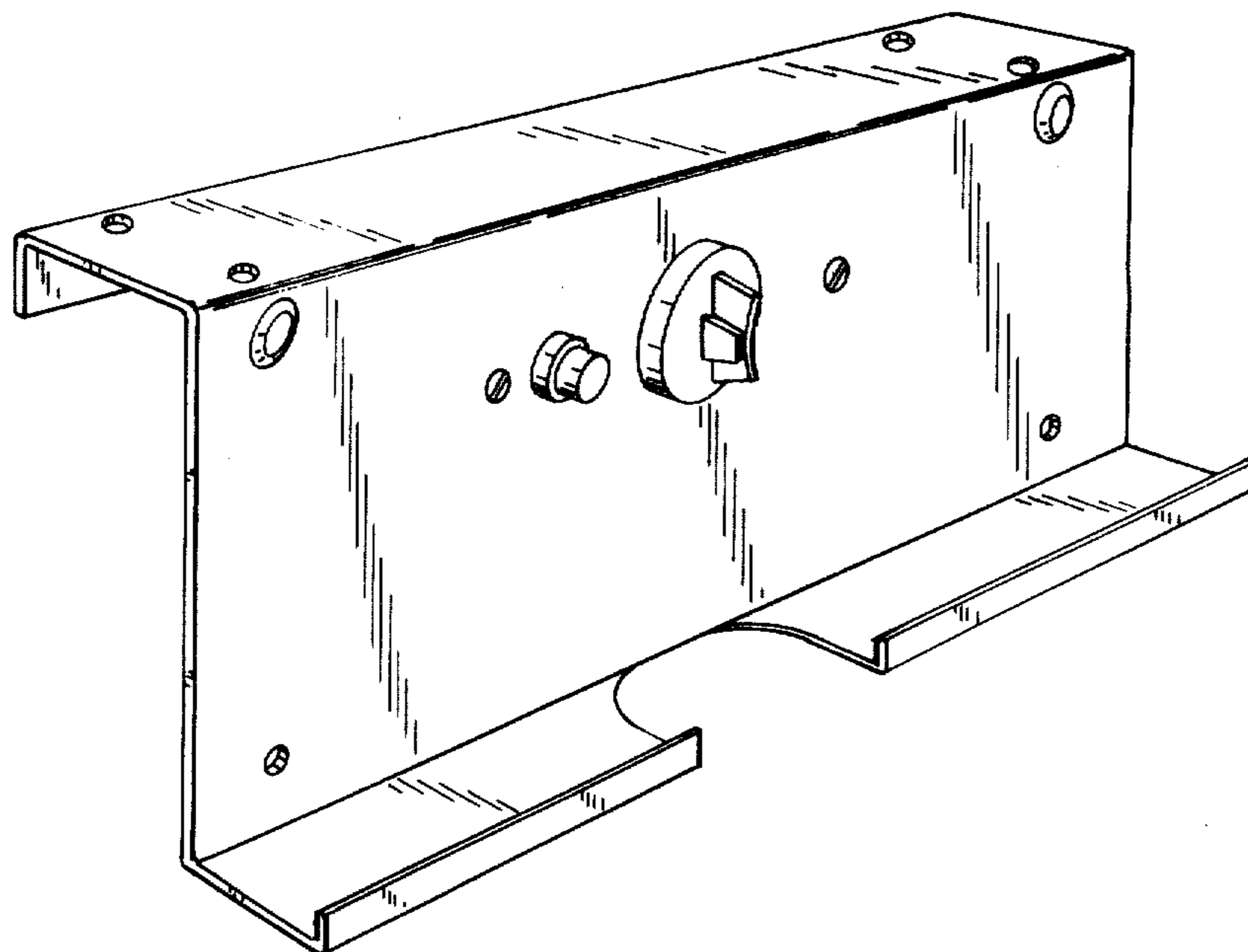
FIG. 4 is an elevational view thereof.

FIG. 5 is an elevational view thereof.

FIG. 6 is a rear elevational view thereof.

FIG. 7 is a perspective view thereof from the front.

FIG. 8 is a perspective view thereof from the rear.



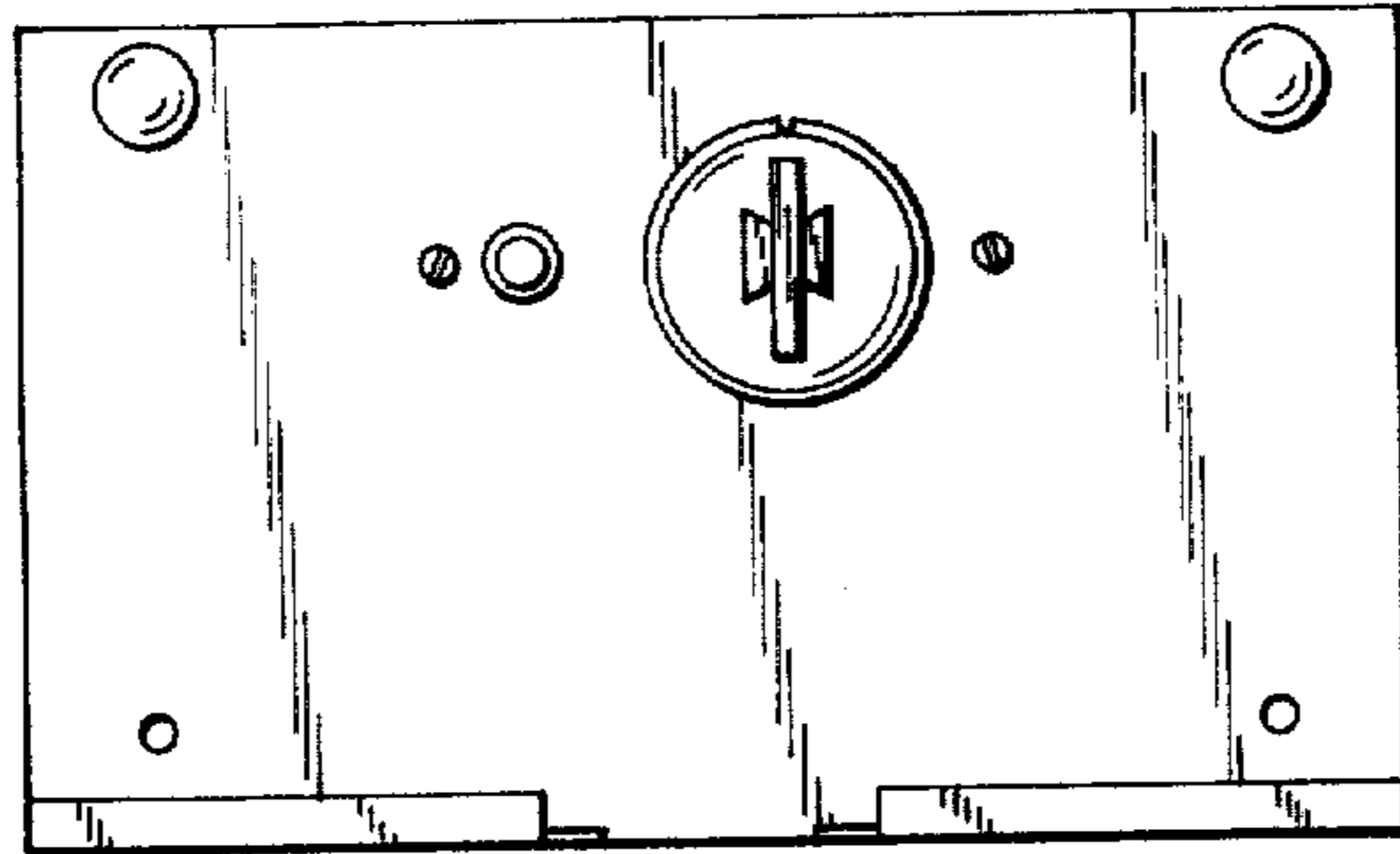


FIG. 1

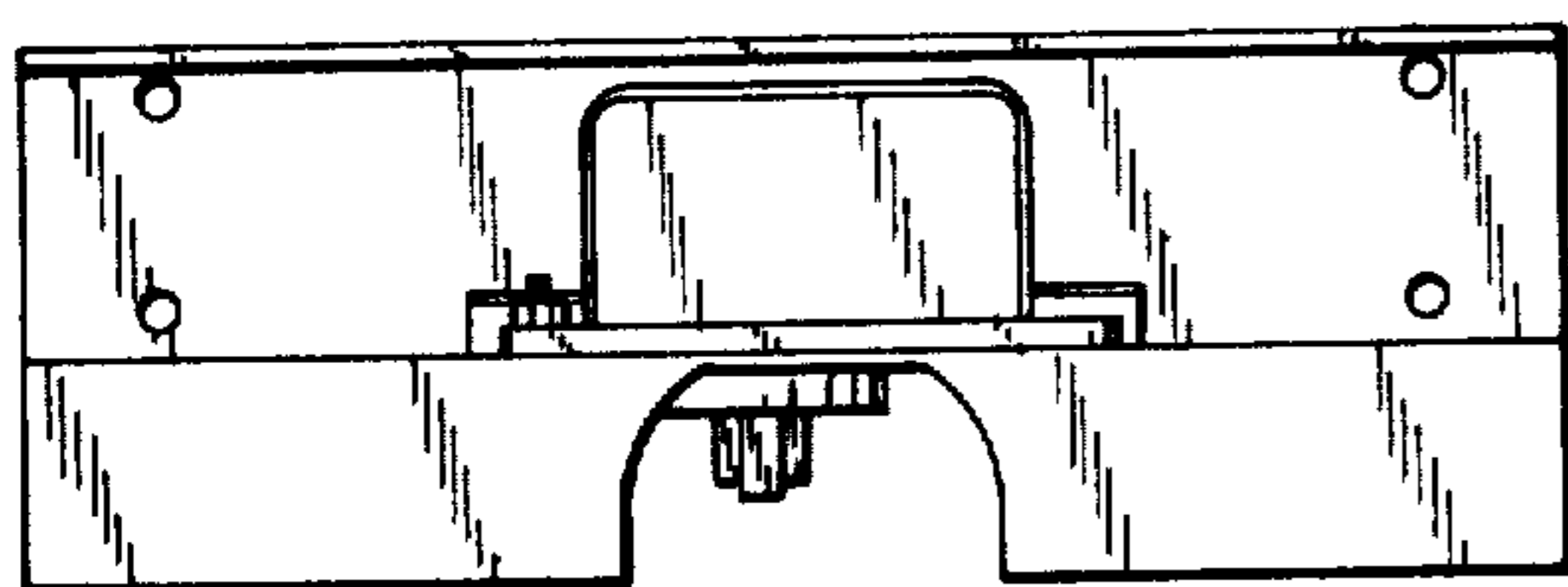


FIG. 2

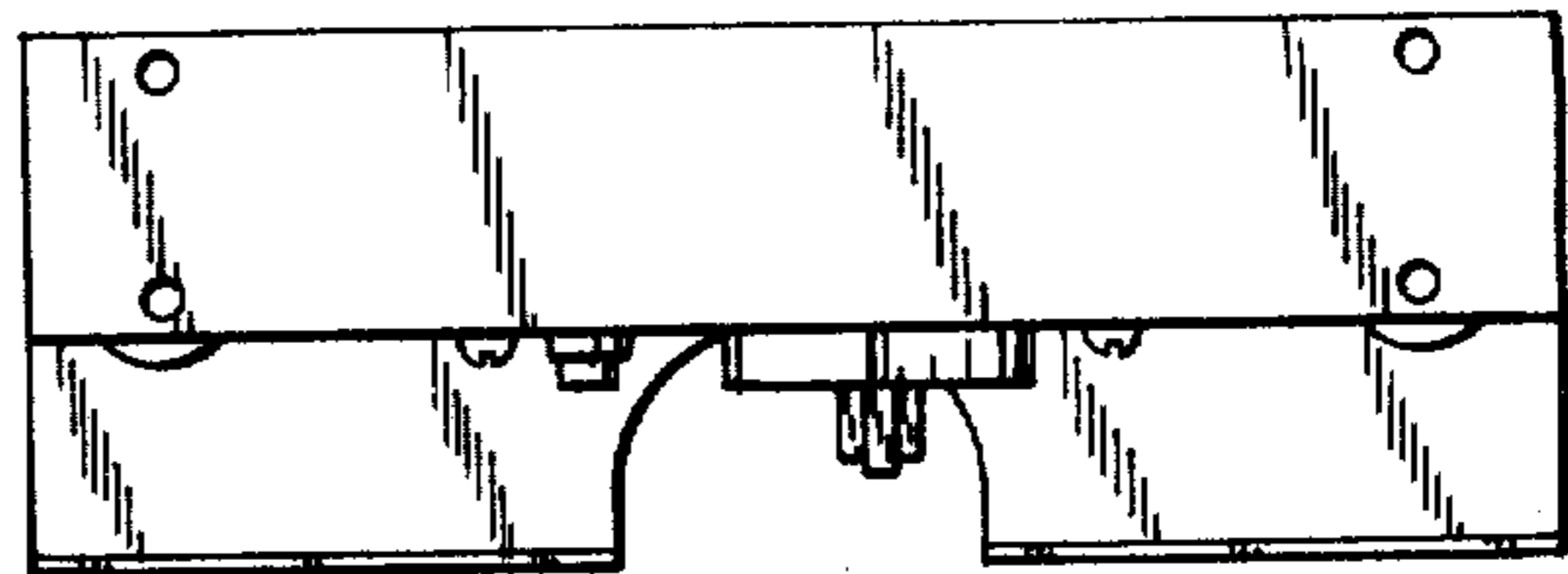


FIG. 3

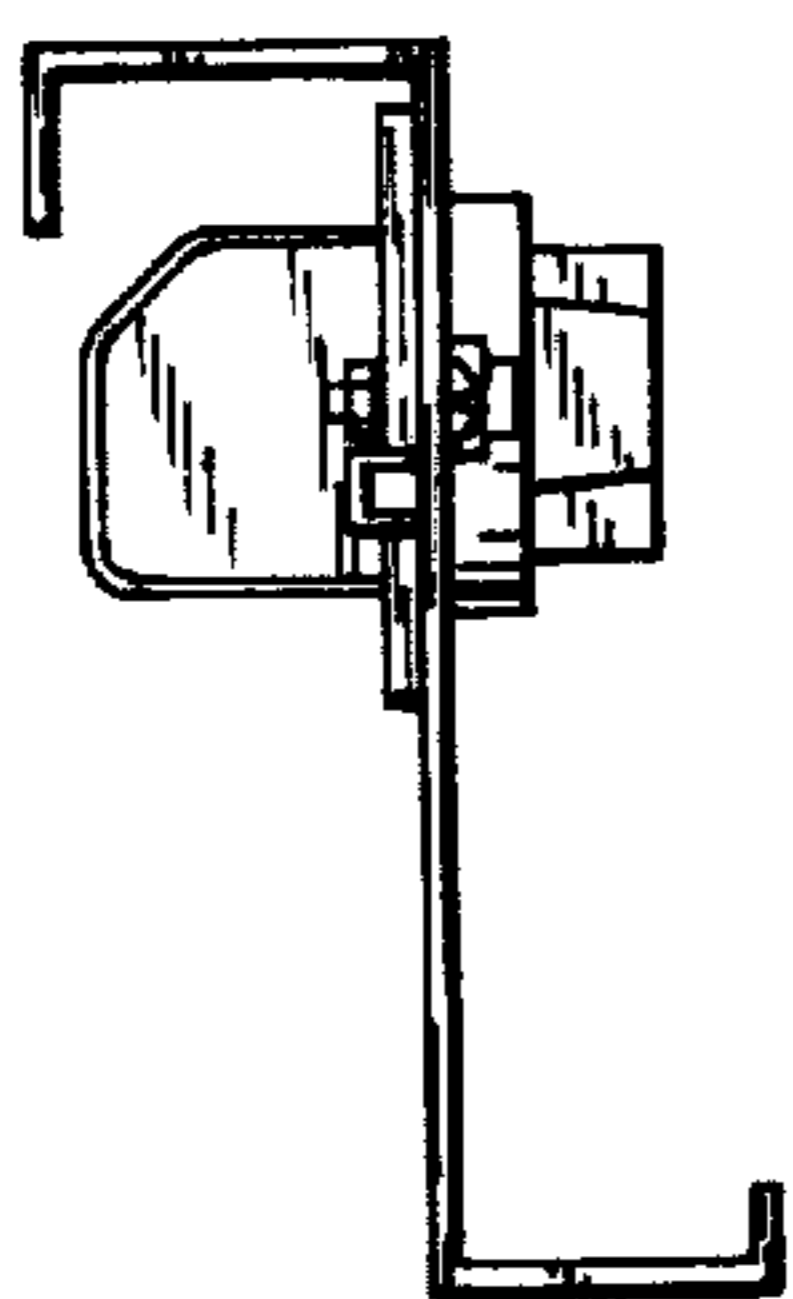


FIG. 4

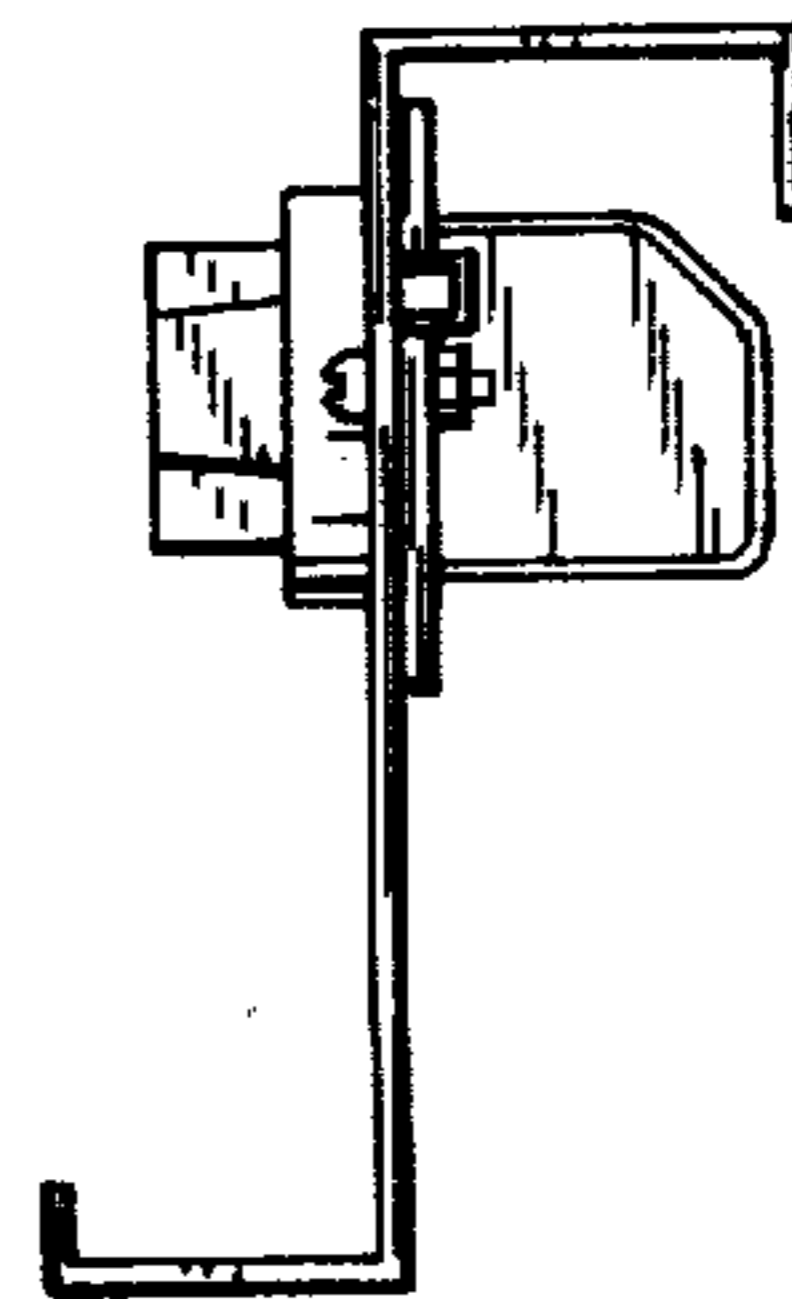


FIG. 5

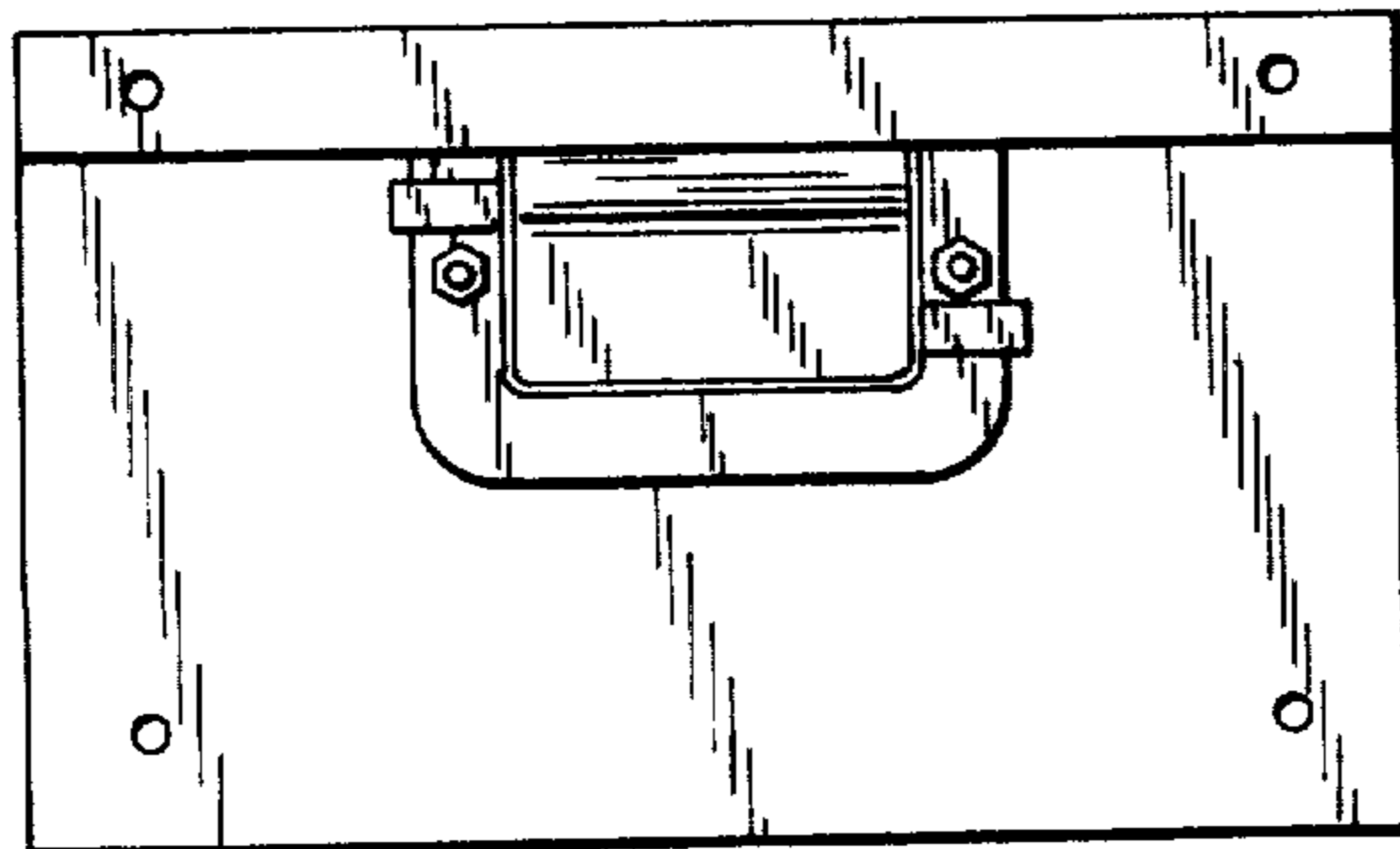


FIG. 6

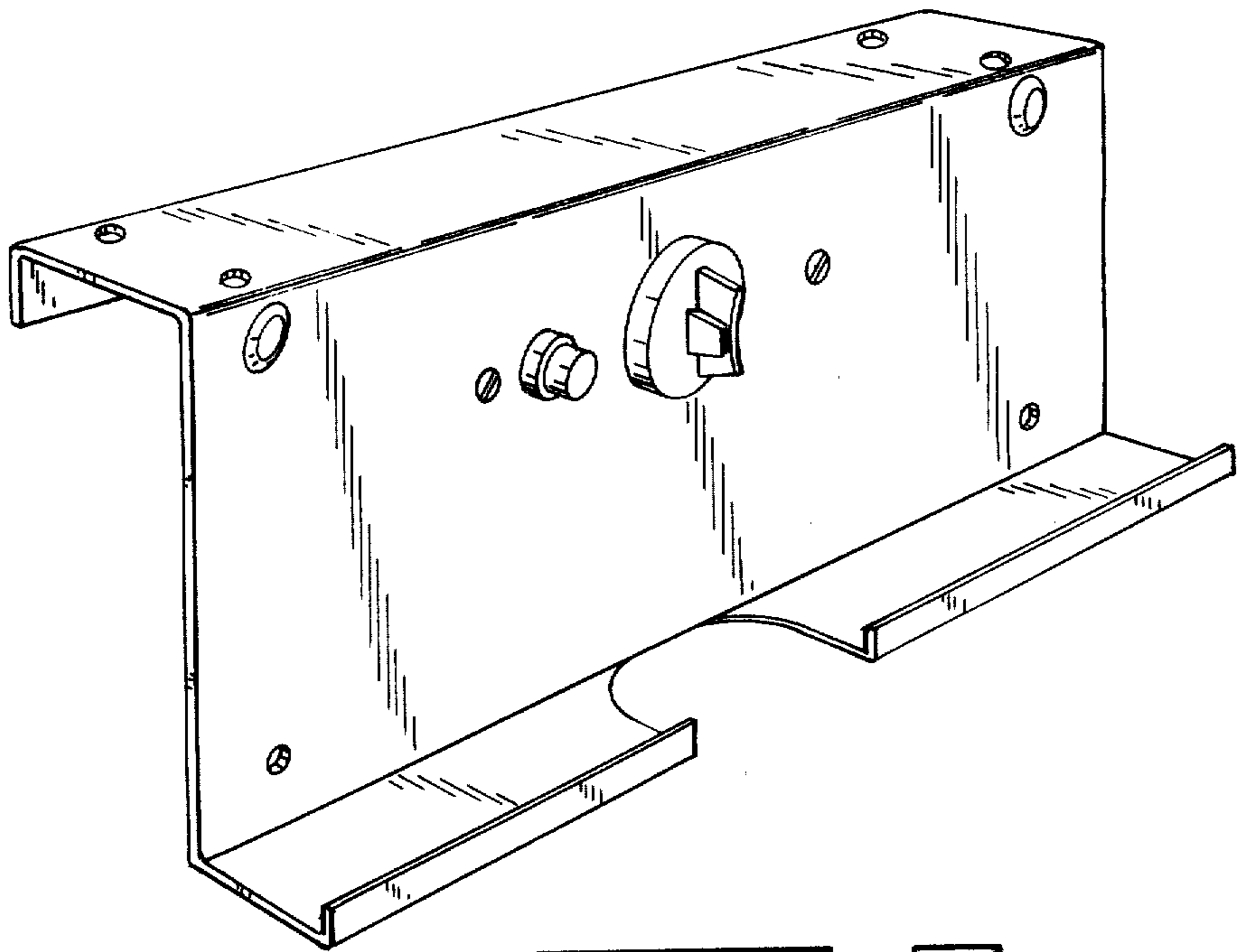


FIG. 7

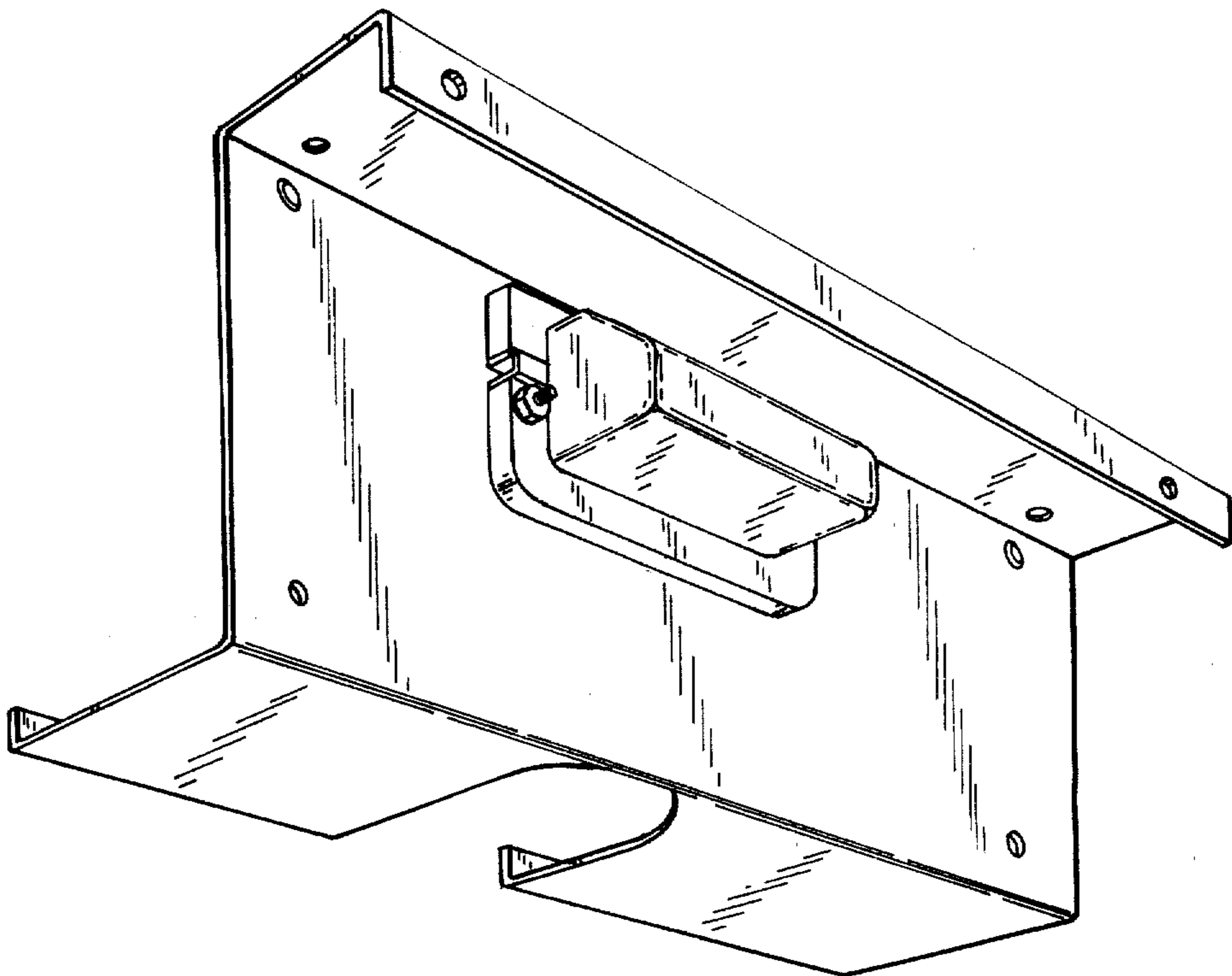


FIG. 8