

[54] TELEPHONE CONSOLE

[76] Inventor: Joseph J. Butchko, P.O. Box G-747 - Station "G", Calgary, Alberta, Canada

[**] Term: 14 Years

[21] Appl. No.: 43,390

[22] Filed: May 29, 1979

[51] Int. Cl. D14-03

[52] U.S. Cl. D14/63

[58] Field of Search D14/53, 63, 64; 179/100 D, 179

[56] References Cited

U.S. PATENT DOCUMENTS

- D. 218,314 8/1970 Tyson D14/64
- D. 244,472 5/1977 Hiller D14/63
- D. 245,602 8/1977 Genaro et al. D14/63
- D. 248,758 8/1978 Krolopp et al. D14/53

- D. 257,841 1/1981 Tada D14/53
- 3,524,939 8/1970 Vlaminck 179/100 R

FOREIGN PATENT DOCUMENTS

- 1409283 5/1964 France 179/100 D

Primary Examiner—T. Tung
Attorney, Agent, or Firm—Stanley G. Ade

[57] CLAIM

The ornamental design for a telephone console, as shown and described.

DESCRIPTION

FIG. 1 is a side elevation of a telephone console showing my new design. The opposite side is a mirror image thereof.

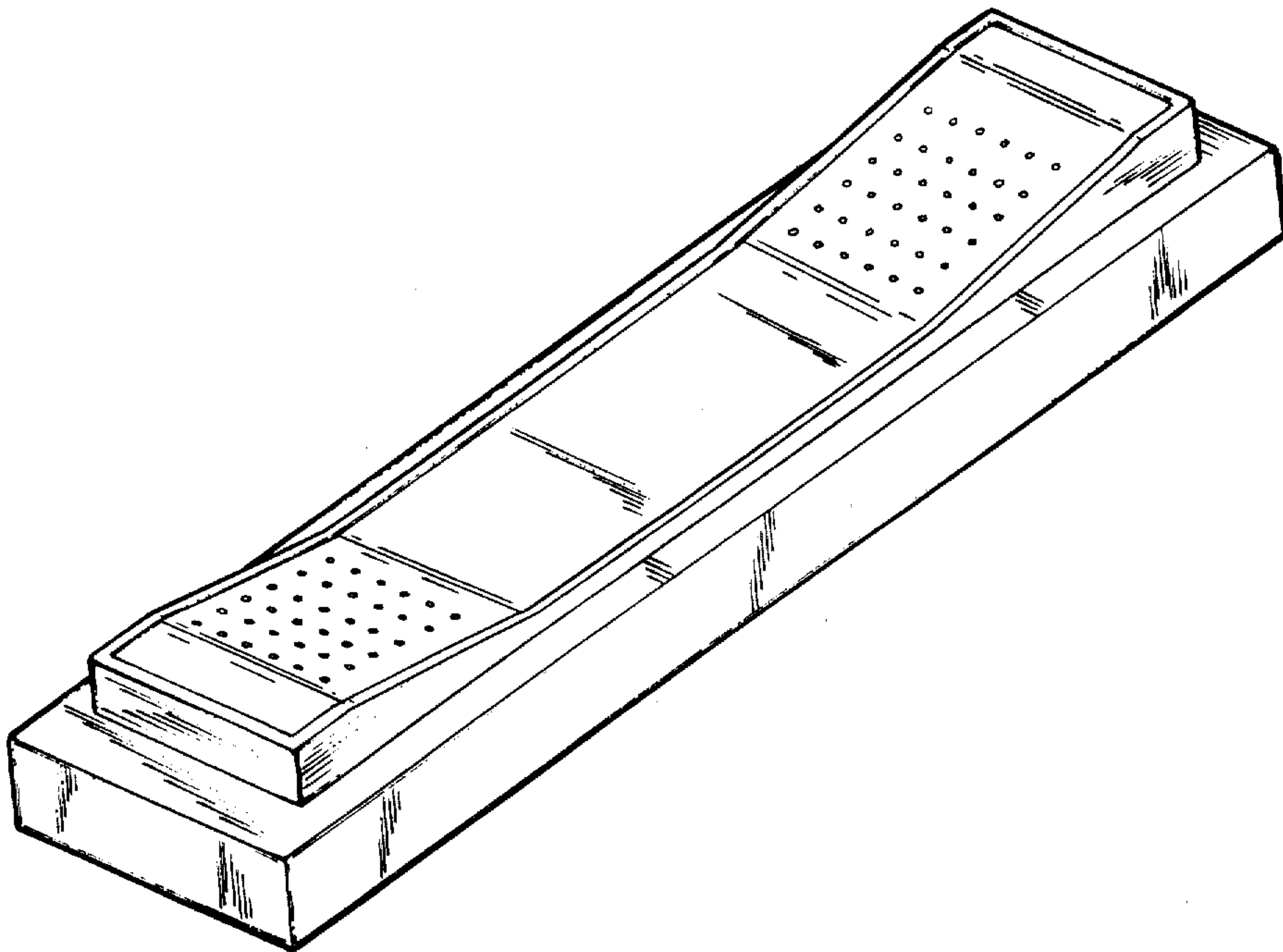
FIG. 2 is a top plan view thereof.

FIG. 3 is an underside plan view thereof.

FIG. 4 is an end view thereof. The opposite end view is a mirror image thereof.

FIG. 5 is an upper isometric view thereof.

FIG. 6 is a lower isometric view thereof.



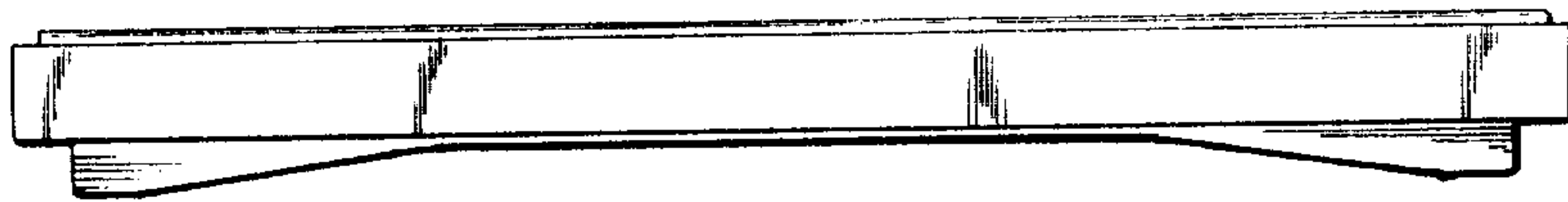


FIG. 1

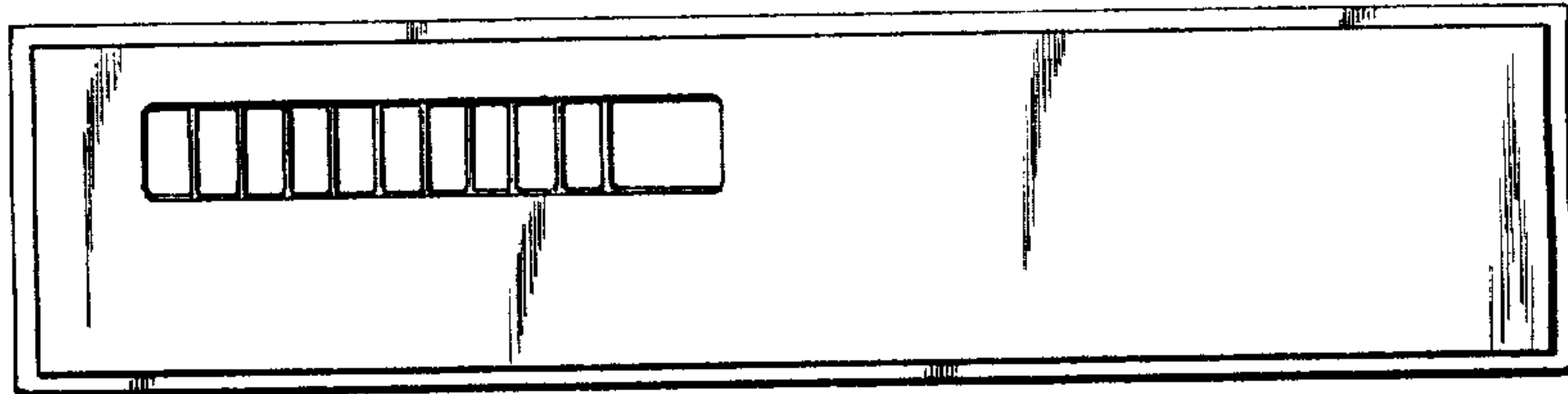


FIG. 2

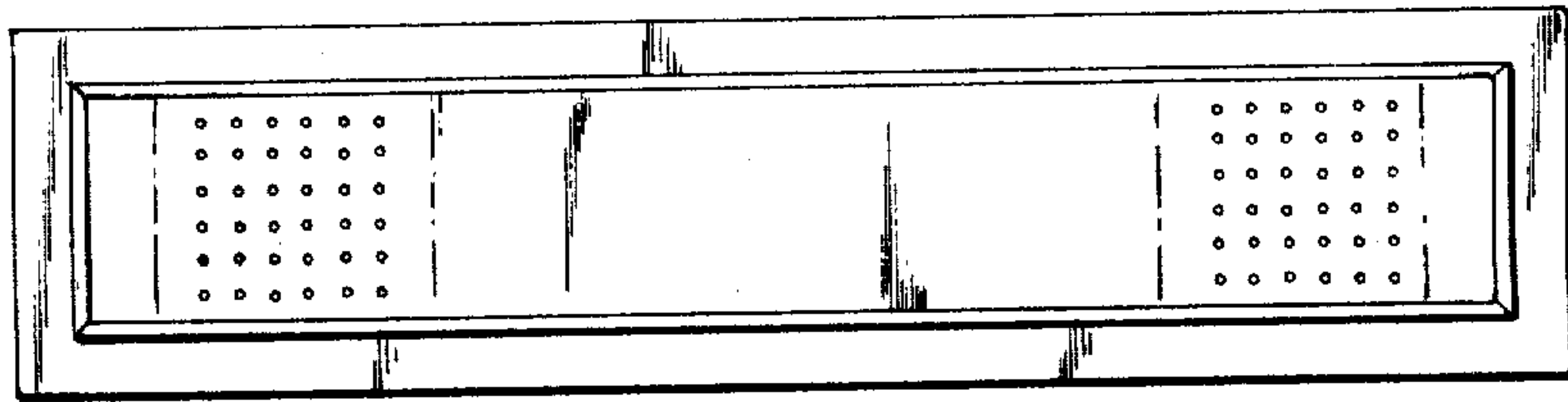


FIG. 3

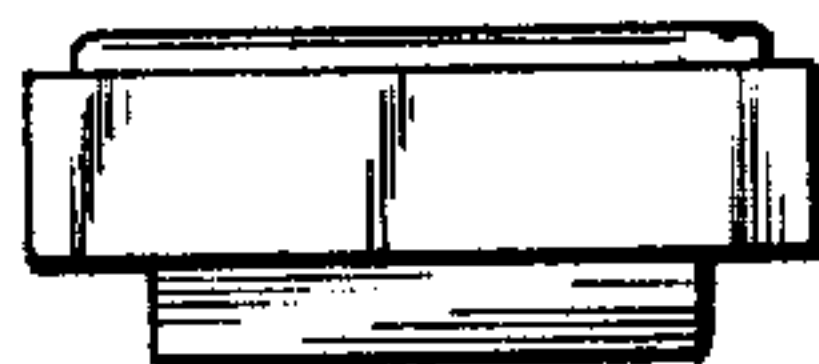


FIG. 4

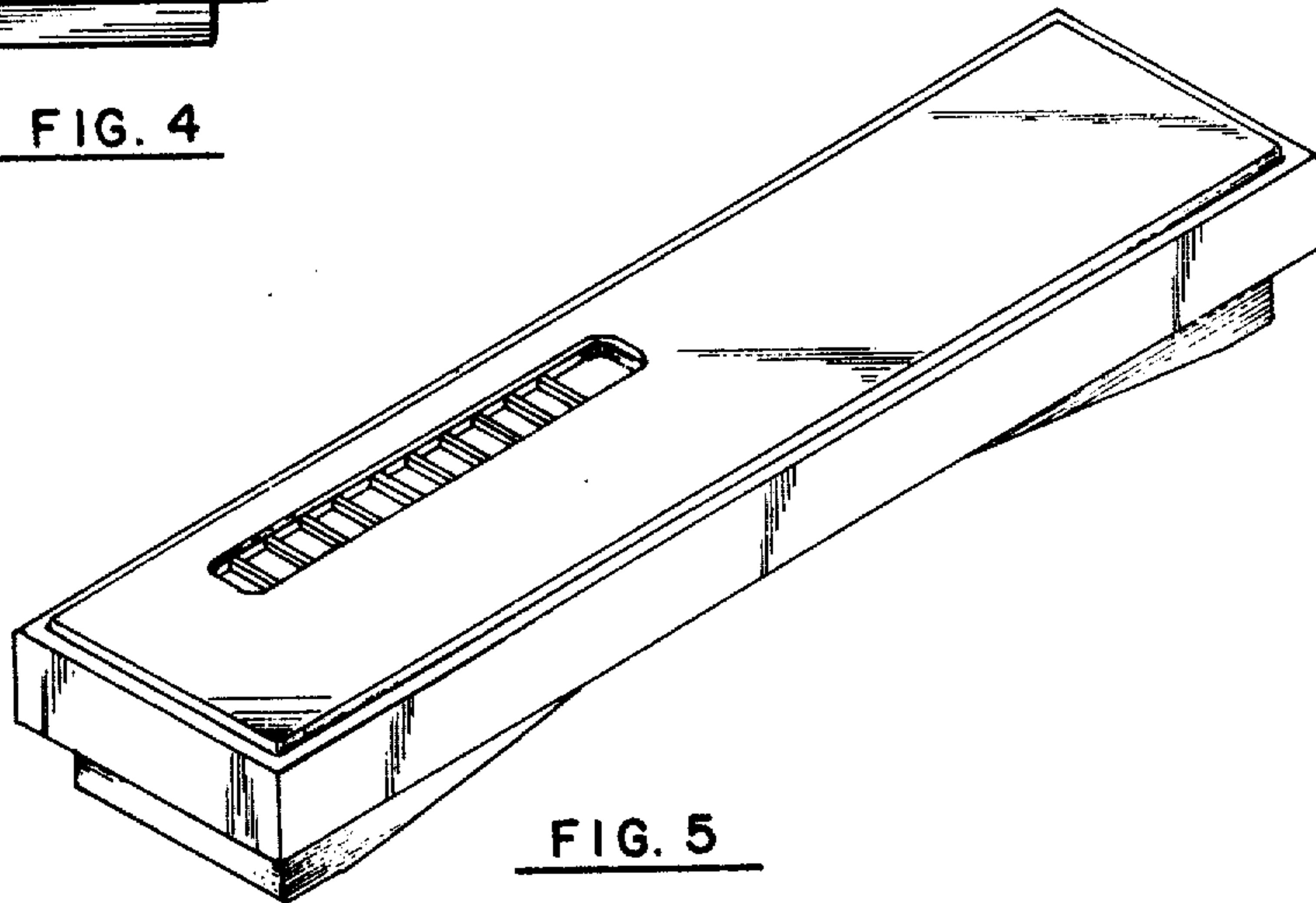


FIG. 5

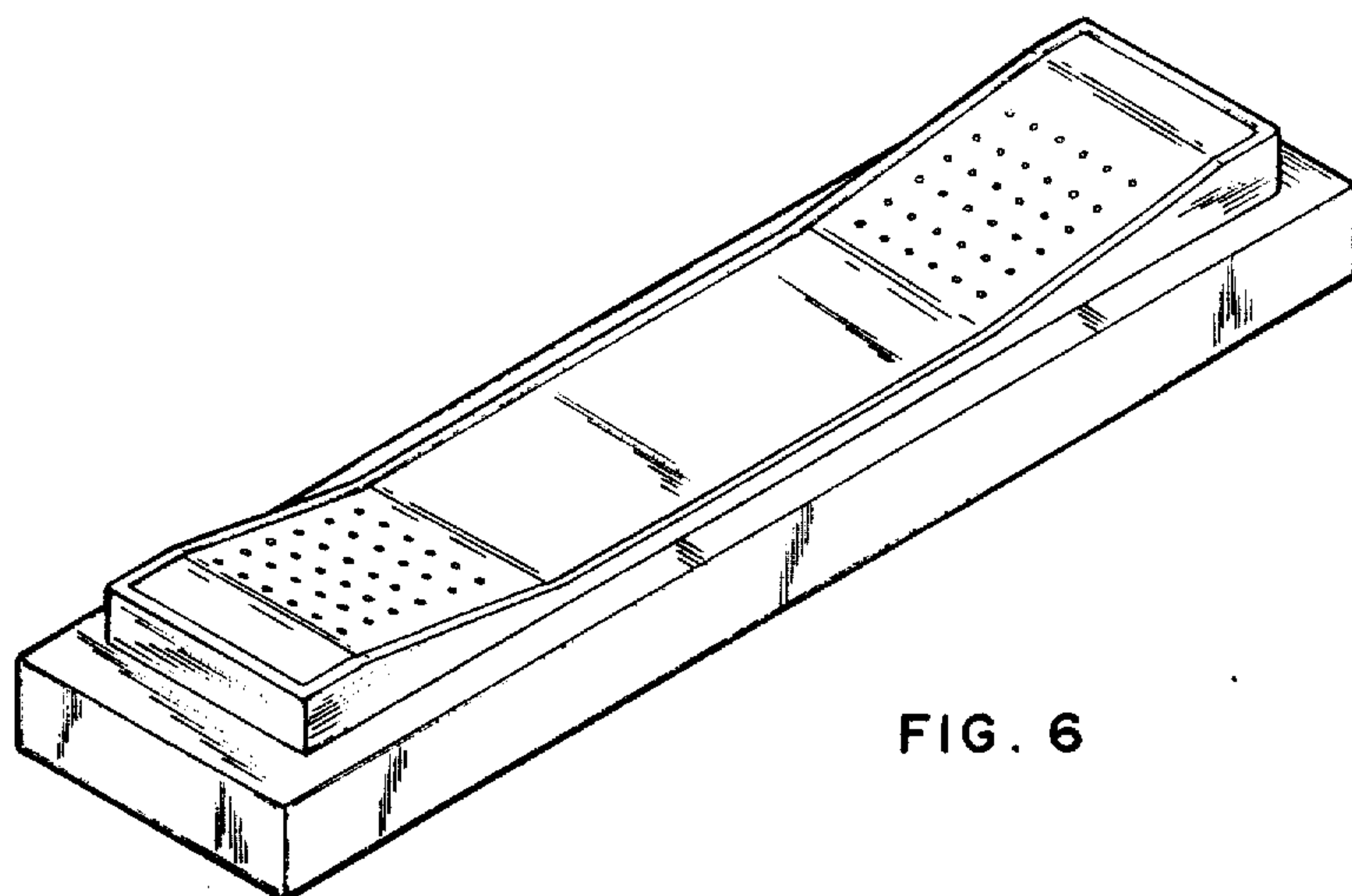


FIG. 6