

[54] WINDSHIELD FOR MOTORCYCLE

[75] Inventors: Minoru Morioka, Kawagoe; Hideki Sugihara, Tokyo, both of Japan

[73] Assignee: Honda Giken Kogyo Kabushiki Kaisha (Honda Motor Co., Ltd.), Tokyo, Japan

[**] Term: 14 Years

[21] Appl. No.: 63,332

[22] Filed: Aug. 2, 1979

[30] Foreign Application Priority Data

Feb. 6, 1979 [JP] Japan 54-42151

[51] Int. Cl. D12-11

[52] U.S. Cl. D12/182

[58] Field of Search D12/182; 296/78.1

[56] References Cited

PUBLICATIONS

Cycle, 6/79, p. 125, Motorcycle Fairing, top center of page.

Cycle World, 6/78, p. 25, Motorcycle Fairing, center of page.

Cycle World, 11/77, p. 53, Motorcycle Fairing, top of page.

Moto Rider, 9/78, p. 10, Shoei Fairing.

Moto Rider, 9/78, p. 208, Motorcycle Fairing.

Primary Examiner—James M. Gandy
Attorney, Agent, or Firm—Armstrong, Nikaido, Marmelstein & Kubovcik

[57] CLAIM

The ornamental design for a windshield for motorcycle, as shown.

DESCRIPTION

FIG. 1 is a top plan view of a windshield for motorcycle showing our new design;

FIG. 2 is a right side elevational view thereof;

FIG. 3 is a left side elevational view thereof;

FIG. 4 is a bottom plan view thereof;

FIG. 5 is a front elevational view thereof;

FIG. 6 is a rear elevational view thereof; and

FIG. 7 is a perspective view thereof.

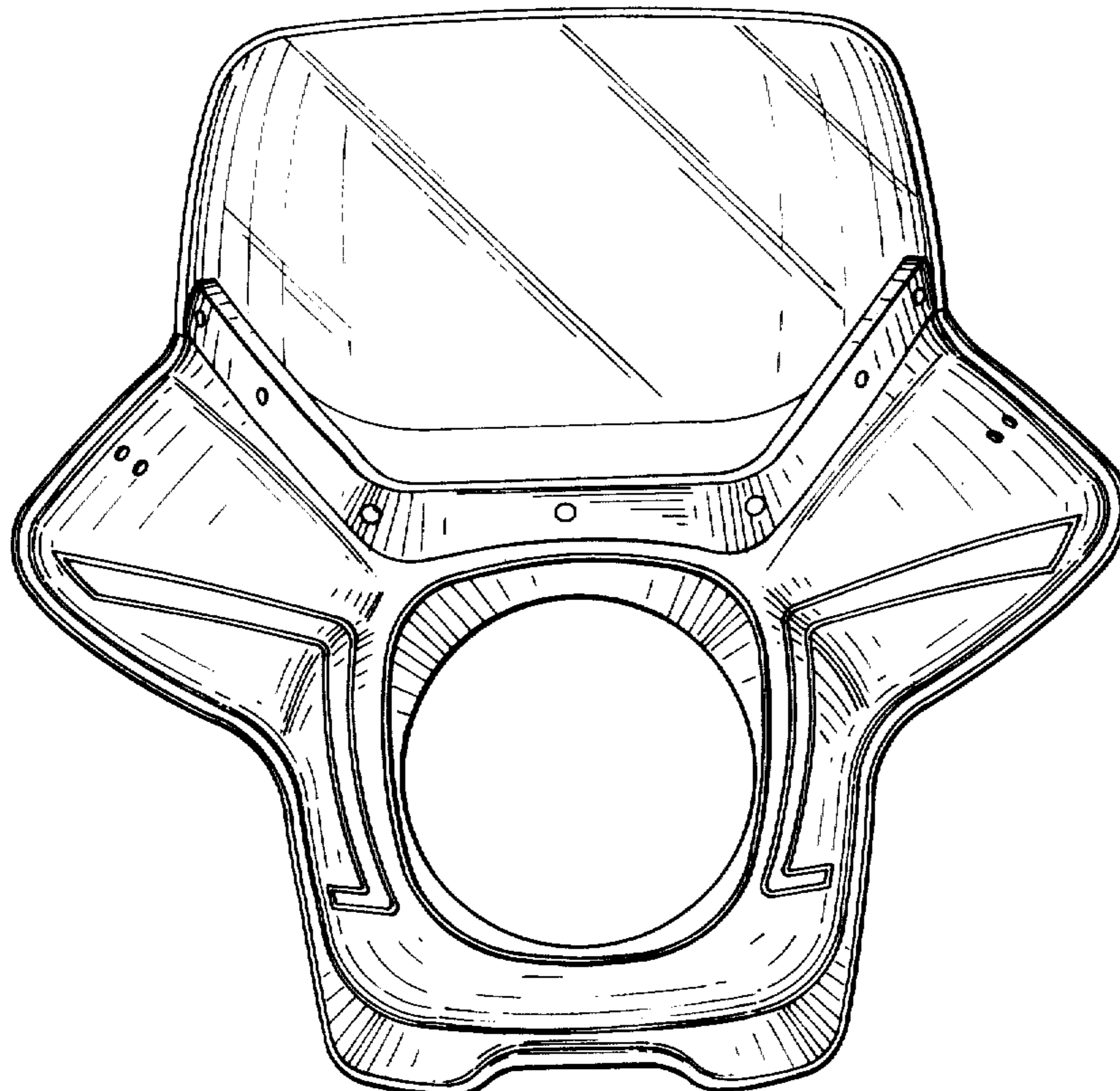


FIG. 1

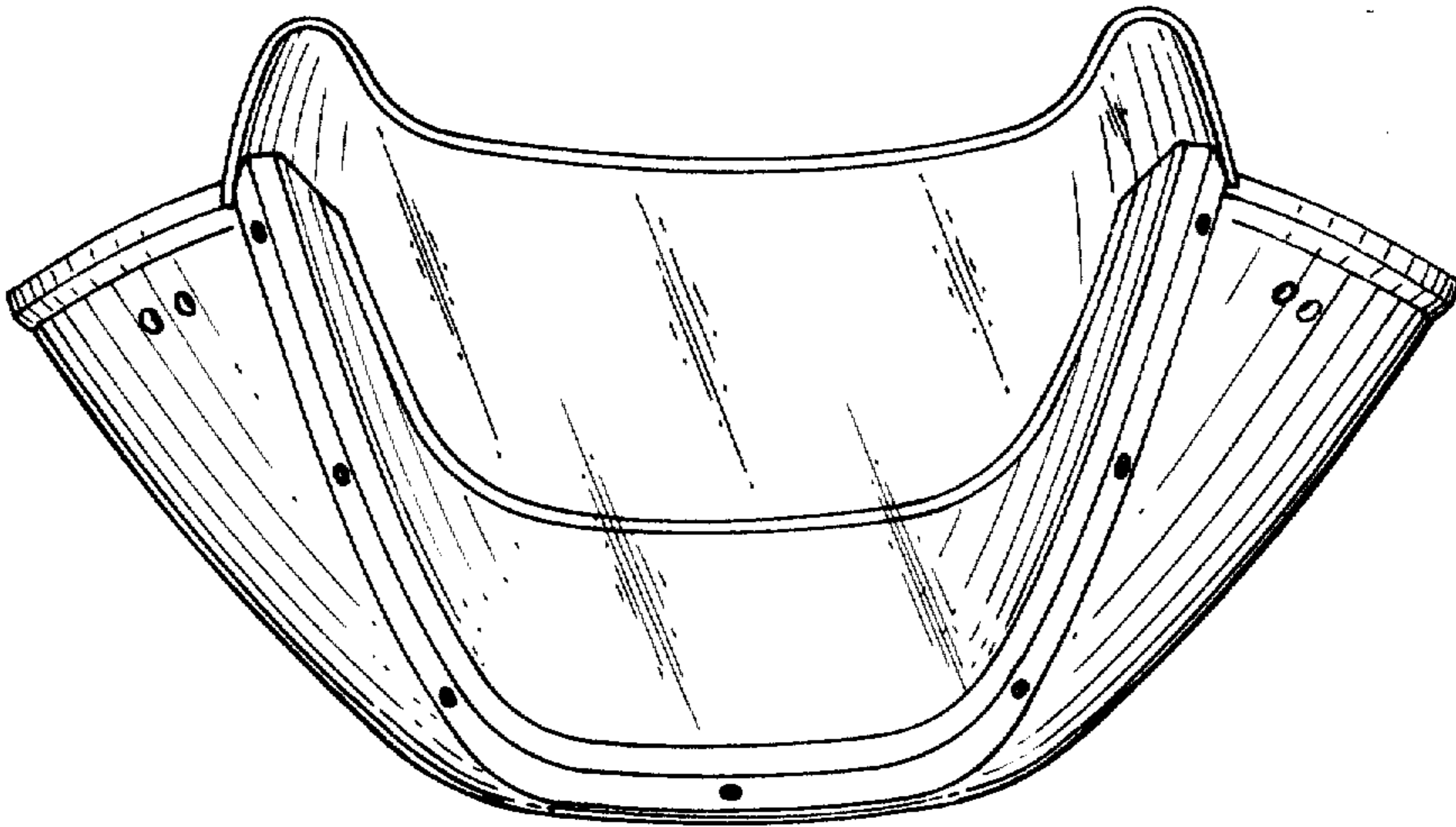


FIG. 2

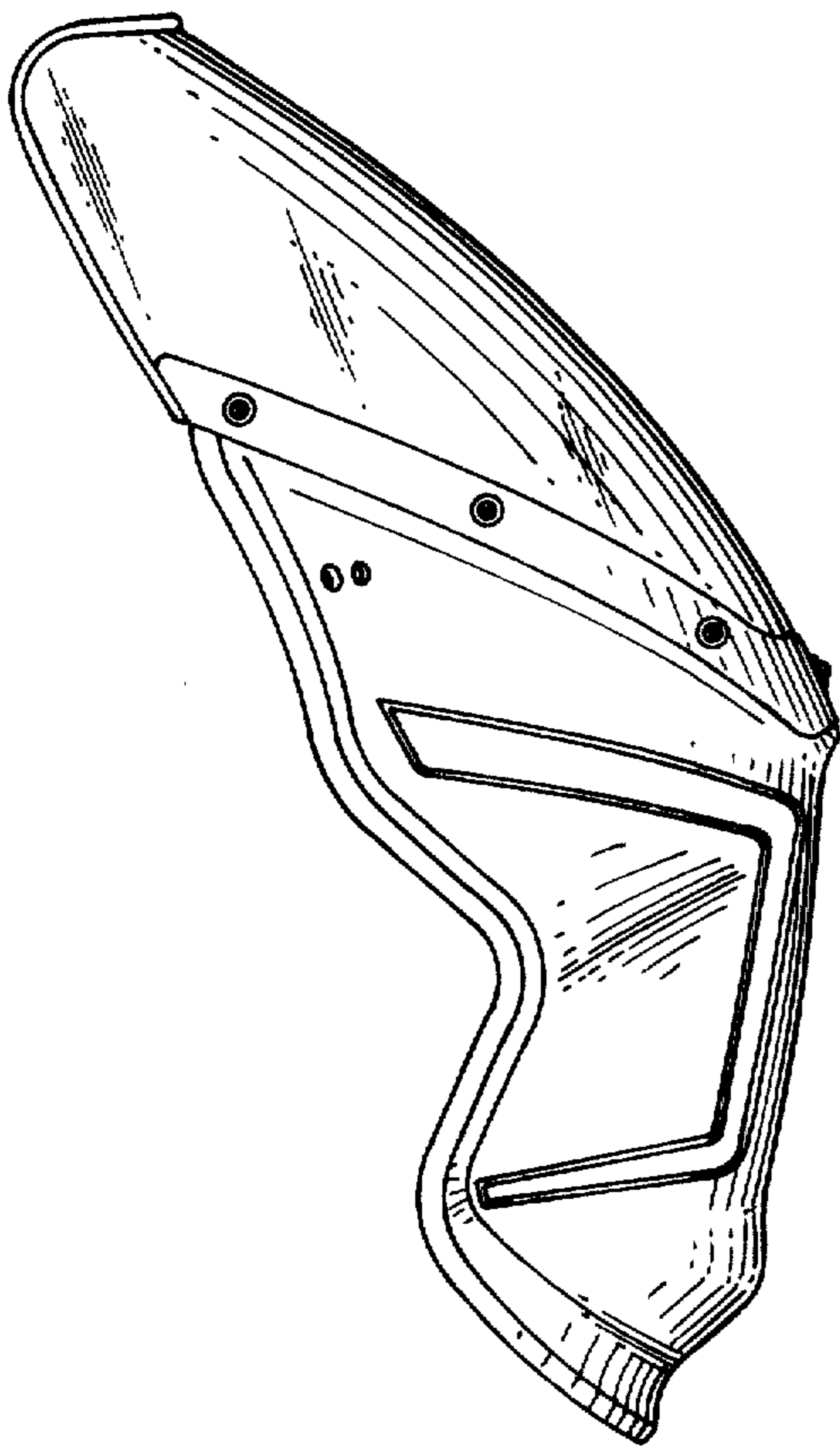
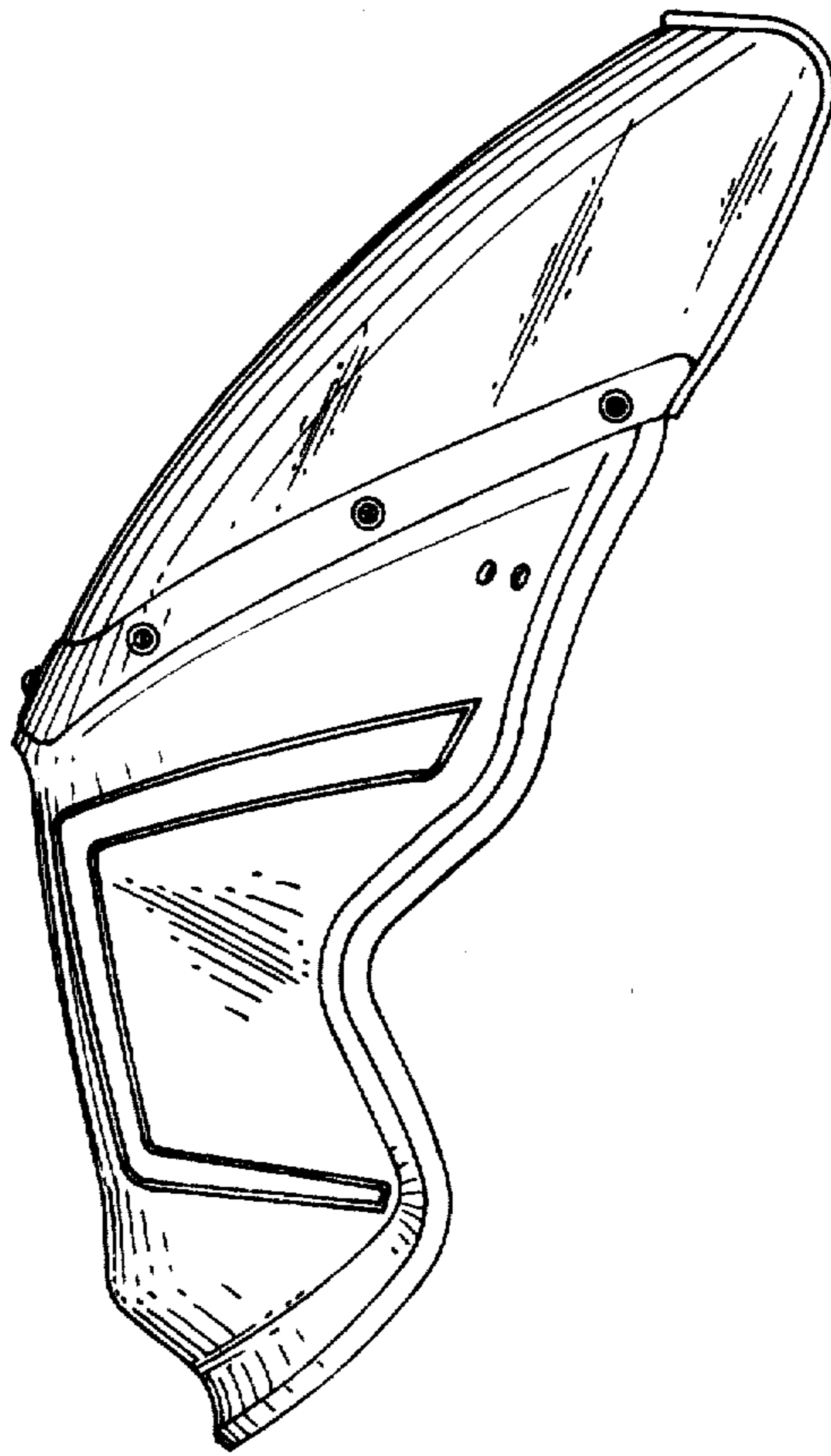


FIG. 3



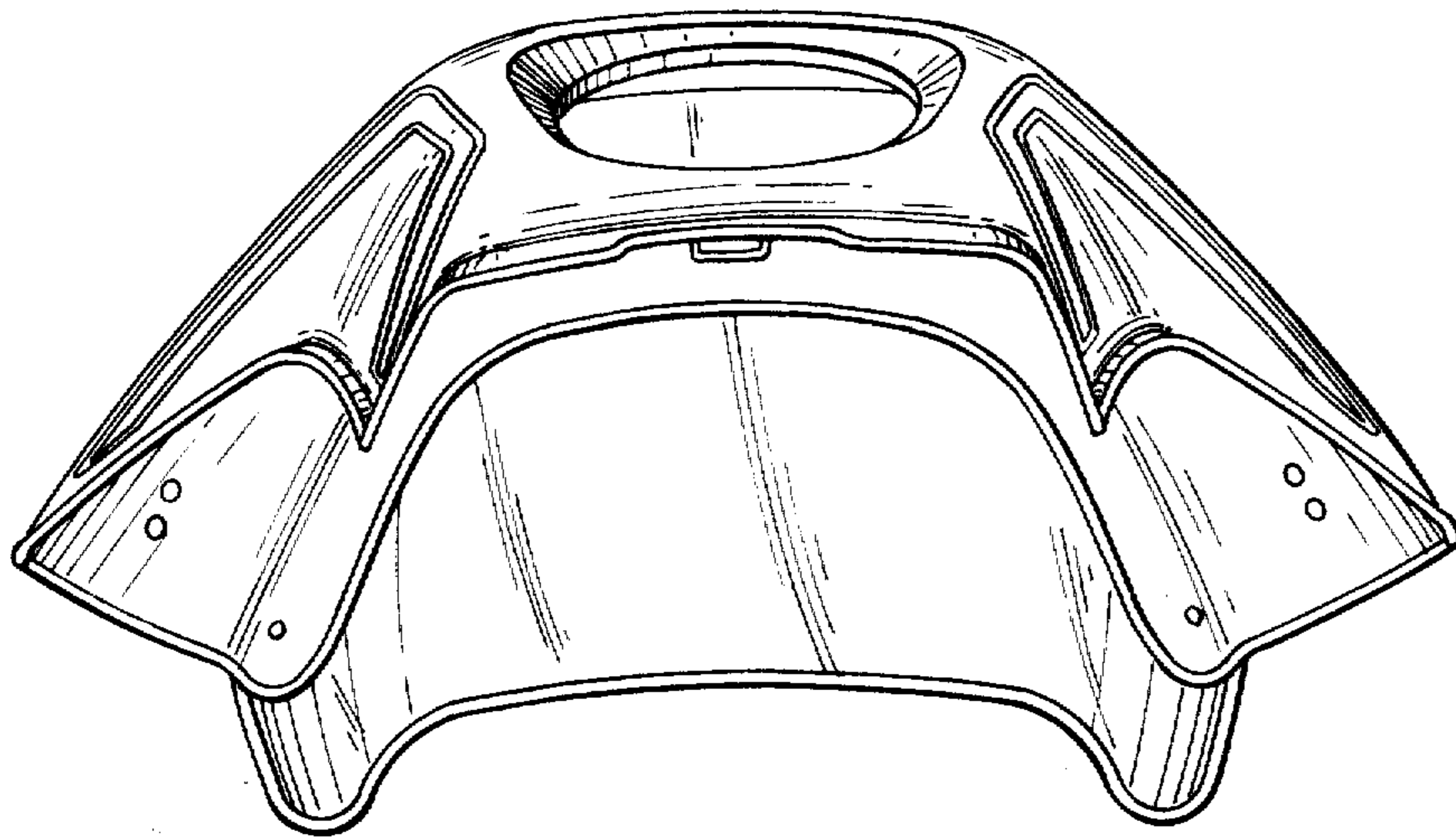


FIG. 4

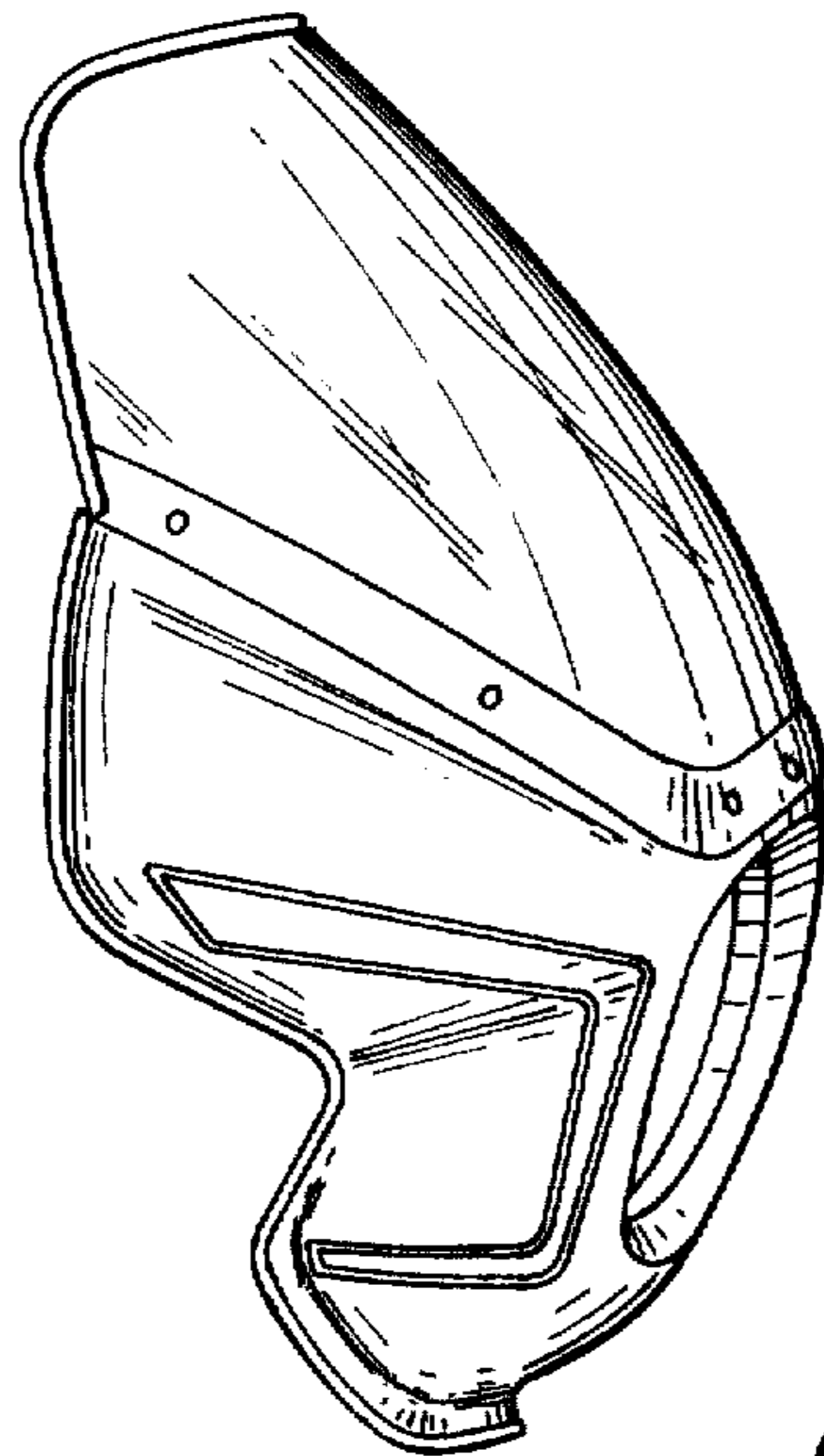


FIG. 7

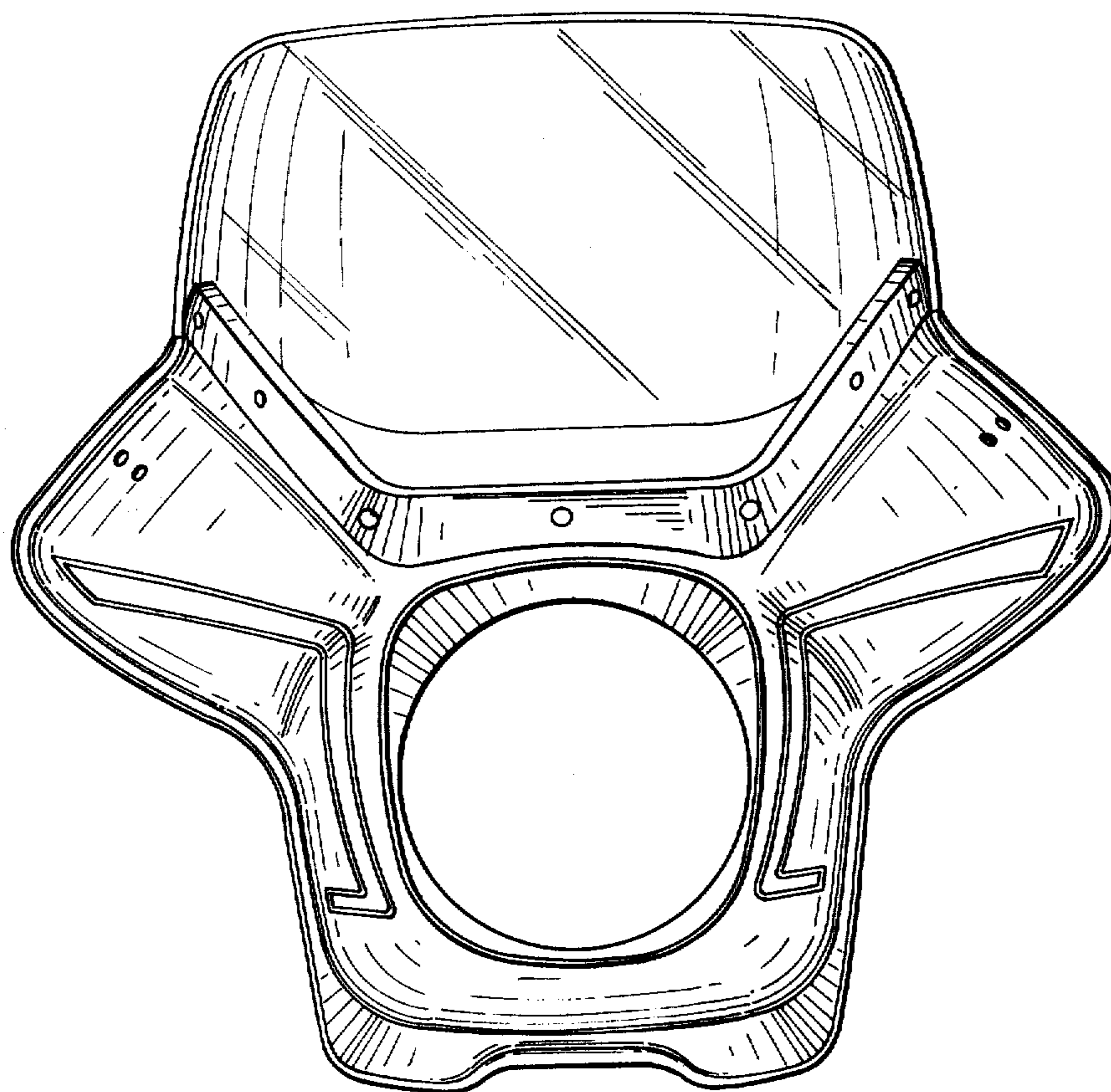


FIG. 5

FIG. 6

