

[54] FOOTGAUGE

[75] Inventors: Noël J. Haring, Woking; Laurence A. Snook, Winchester, both of England

[73] Assignee: Clarks Limited, Somerset, England

[**] Term: 14 Years

[21] Appl. No.: 177,057

[22] Filed: Aug. 11, 1980

[30] Foreign Application Priority Data

Mar. 19, 1980 [GB] United Kingdom 994114

[51] Int. Cl. D10-04

[52] U.S. Cl. D10/70; D10/64

[58] Field of Search D10/61, 62, 64, 70, D10/71; 33/3 R, 3 A, 3 B, 3 C, 174 D

[56] References Cited

U.S. PATENT DOCUMENTS

D. 96,111 7/1935 Griffin D10/70

115,761 6/1871 McNichol 33/3 A
D. 178,863 10/1956 Brannock D10/70
2,519,677 8/1950 Mackay 33/3 B

FOREIGN PATENT DOCUMENTS

972577 10/1964 United Kingdom 33/3 A

Primary Examiner—Nelson C. Holtje
Attorney, Agent, or Firm—St. Onge, Steward, Johnston, Reens & Nöe

[57] CLAIM

The ornamental design for a footgauge, substantially as shown and described.

DESCRIPTION

FIG. 1 is a top and left front perspective view of a footgauge showing our new design;
FIG. 2 is a rear elevational view thereof;
FIG. 3 is a cross-sectional view thereof as taken from line 3-3 of FIG. 4;
FIG. 4 is a right side elevational view thereof;
FIG. 5 is a bottom plan view thereof.

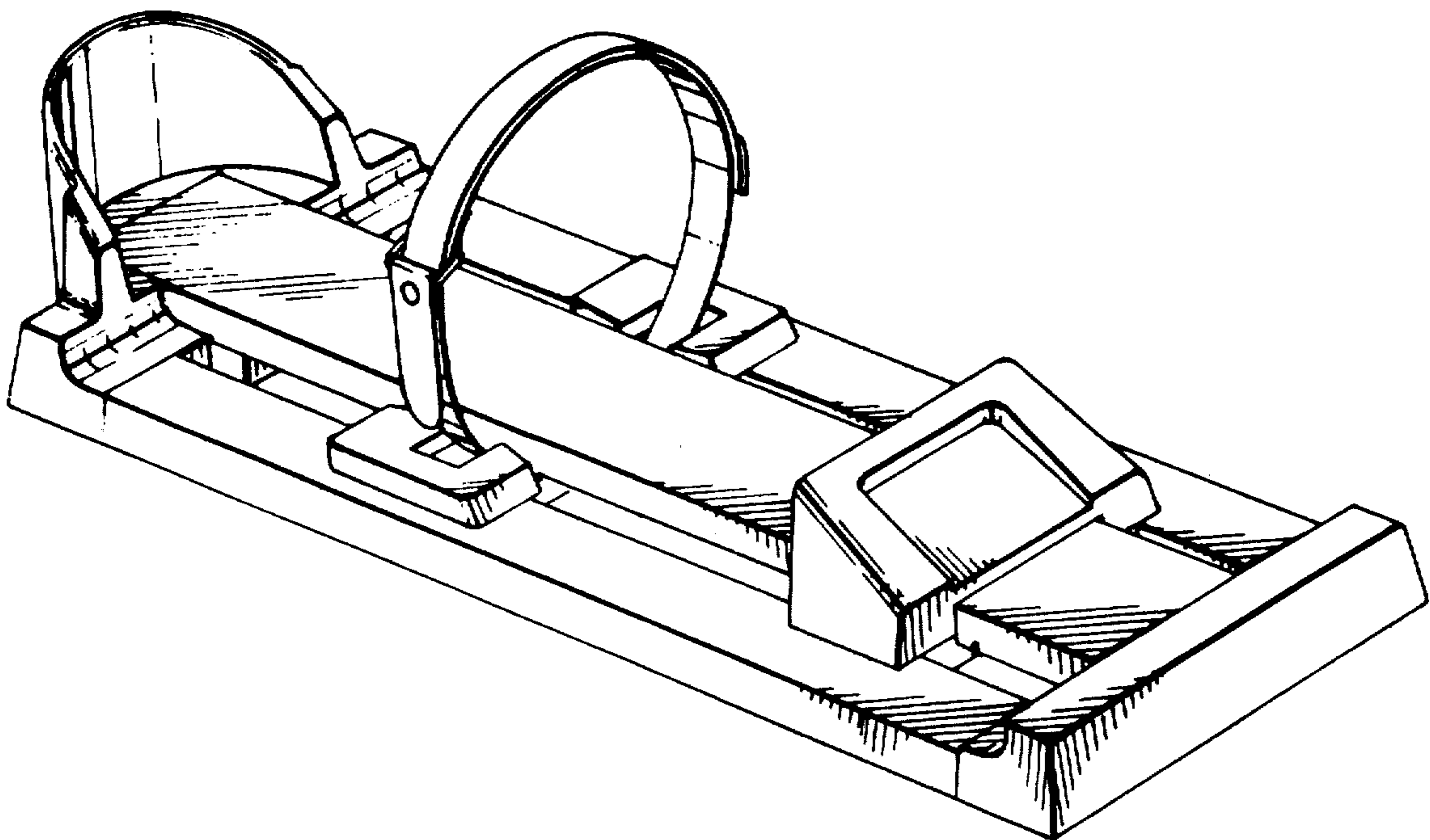


FIG. 1

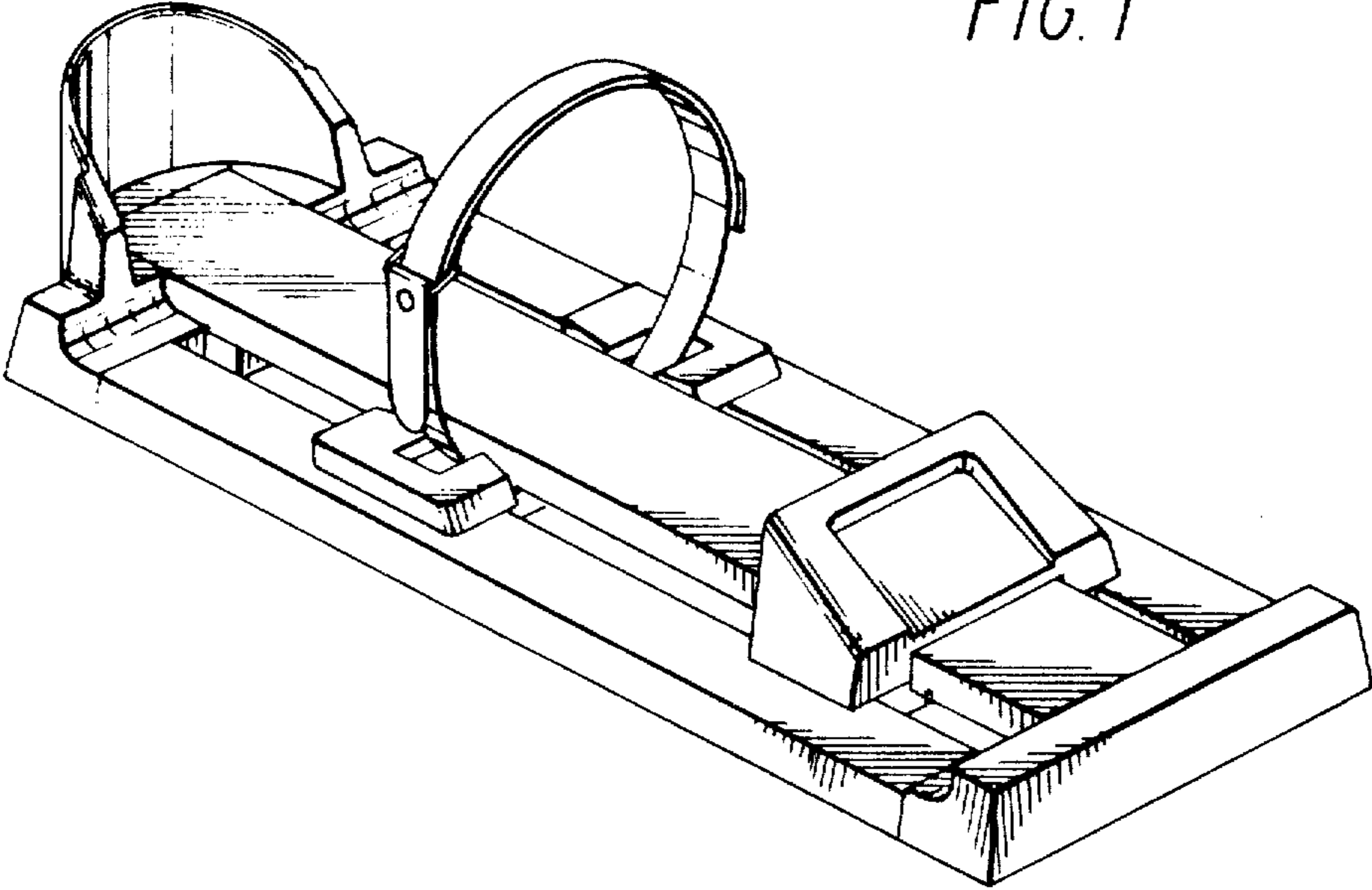


FIG. 2

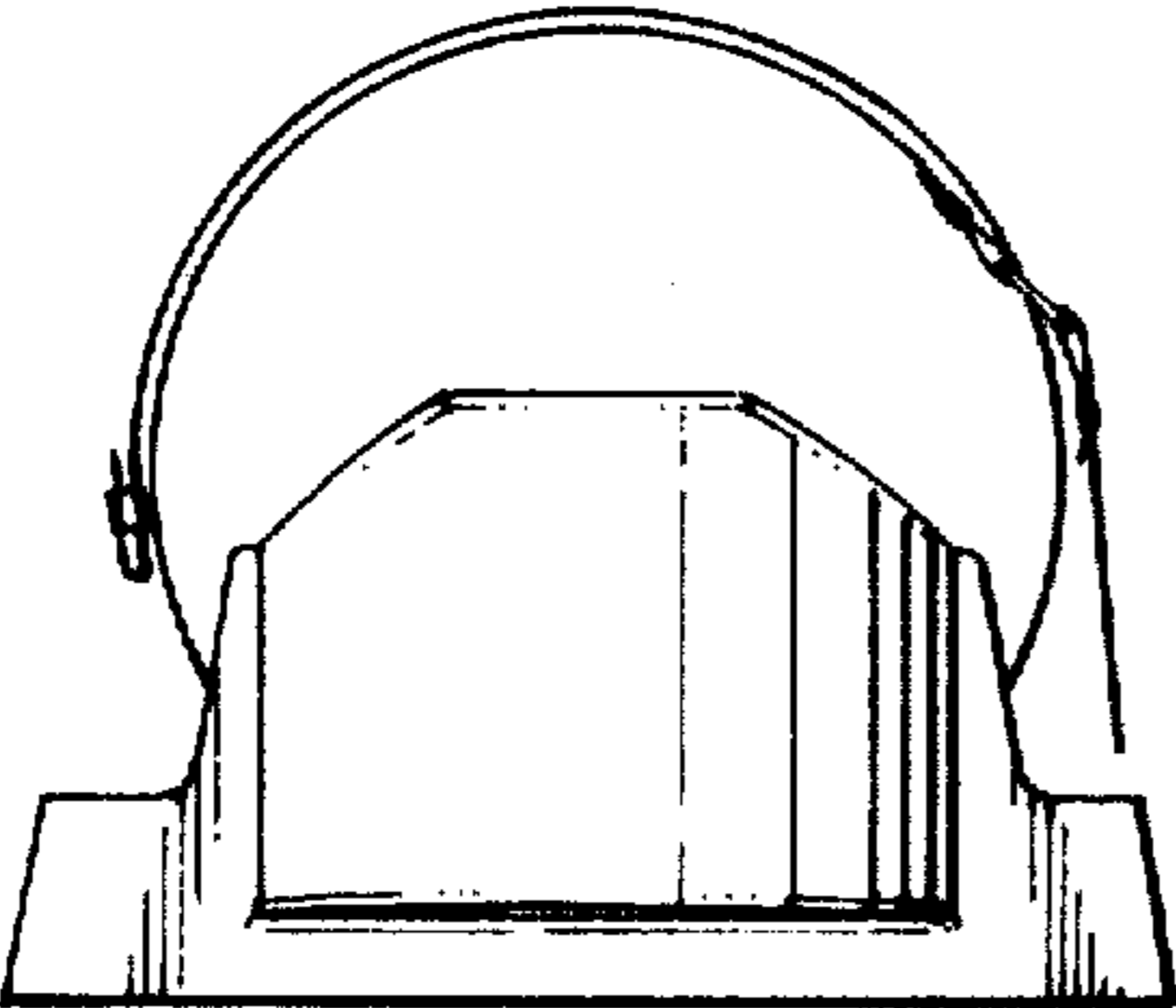


FIG. 3

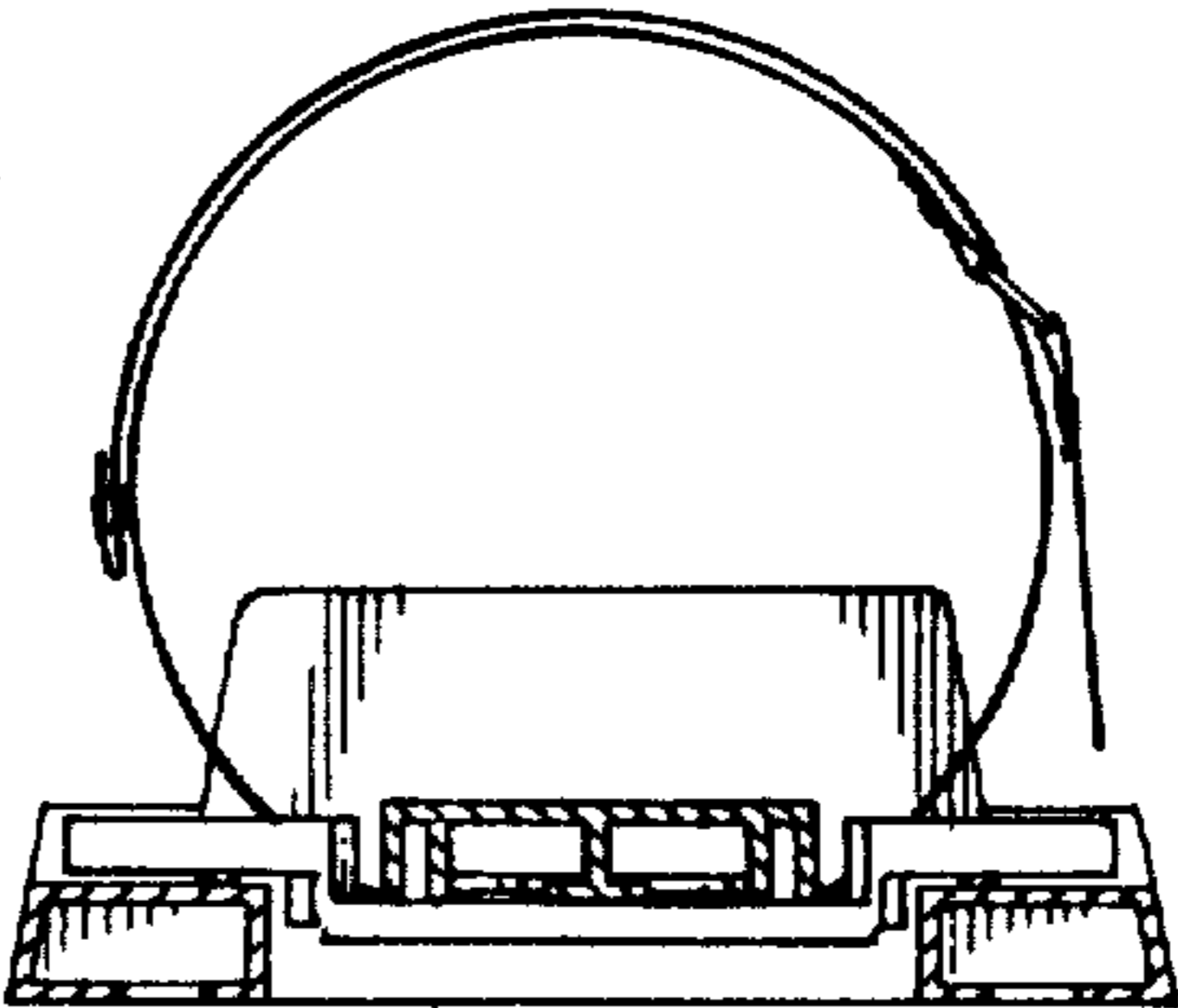


FIG. 4

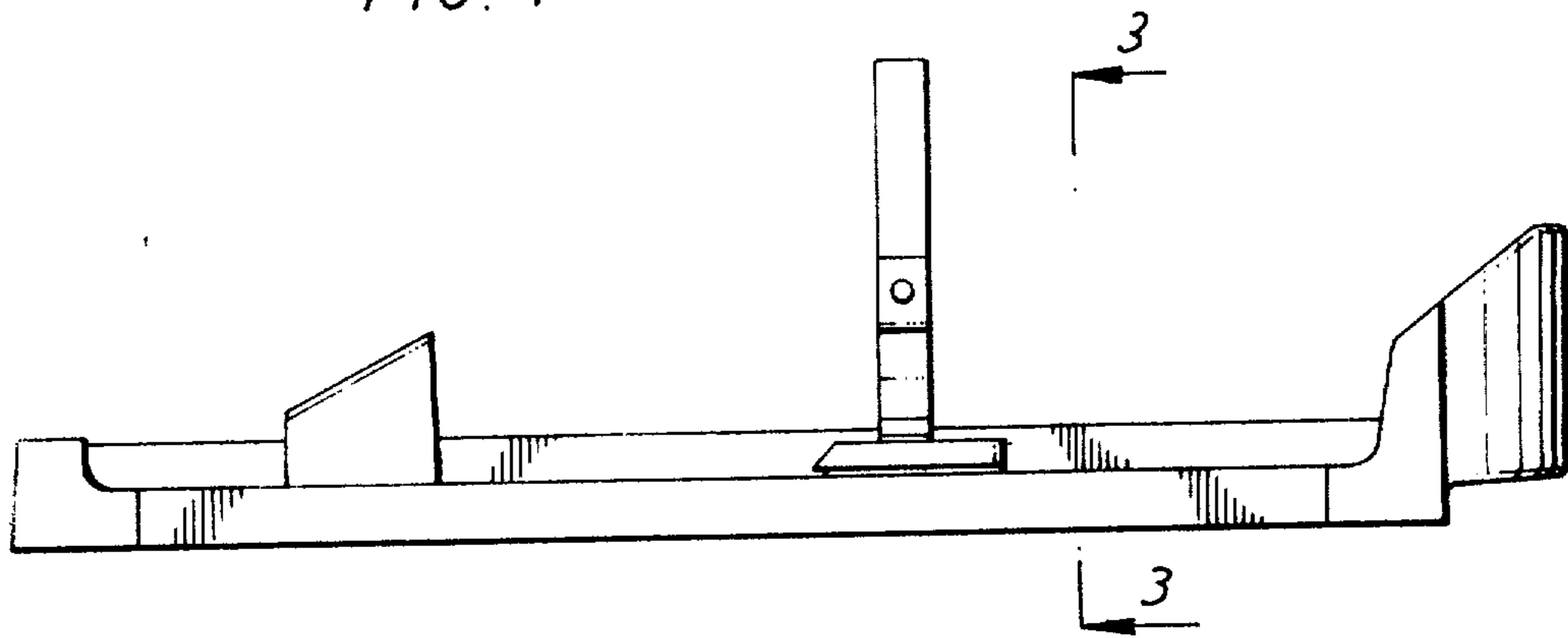


FIG. 5

