

[54] COOKING PAN UNIT

[75] Inventor: Yanta H. T. Lam, Kowloon, Hong Kong

[73] Assignee: Meyer Manufacturing Co. Ltd., Kowloon, Hong Kong

[**] Term: 14 Years

[21] Appl. No.: 37,769

[22] Filed: May 10, 1979

[30] Foreign Application Priority Data

Apr. 4, 1979 [GB] United Kingdom 79 989358

[51] Int. Cl. D07-02

[52] U.S. Cl. D7/94; D7/96

[58] Field of Search D7/85, 90, 94, 95, 96, D7/97, 41, 87, 123

[56] References Cited

U.S. PATENT DOCUMENTS

D. 53,155 4/1919 Popper D7/123
D. 98,922 3/1936 Farber D7/123

D. 162,573 3/1951 Painter D7/123 X
3,941,967 3/1976 Sumi et al. D7/85 X

OTHER PUBLICATIONS

Woodies Home Fashion Blooms Fresh, Suppl. to Wash. Star, Sunday 5-9-76, p. 9, Item 9D "Cooker with Teflon Tray", top, right.

Primary Examiner—Winifred E. Herrmann
Attorney, Agent, or Firm—Wood, Herron & Evans

[57] CLAIM

The ornamental design for a cooking pan unit, as shown and described.

DESCRIPTION

FIG. 1 is a perspective view of a cooking pan unit showing my new design;
FIG. 2 is a side elevational view thereof taken in the direction of arrow X on FIG. 1, the side opposite being identical thereto;
FIG. 3 is a side elevational view thereof taken in the direction of arrow Y on FIG. 1, the side opposite being identical thereto; and
FIG. 4 is a bottom plan view thereof.

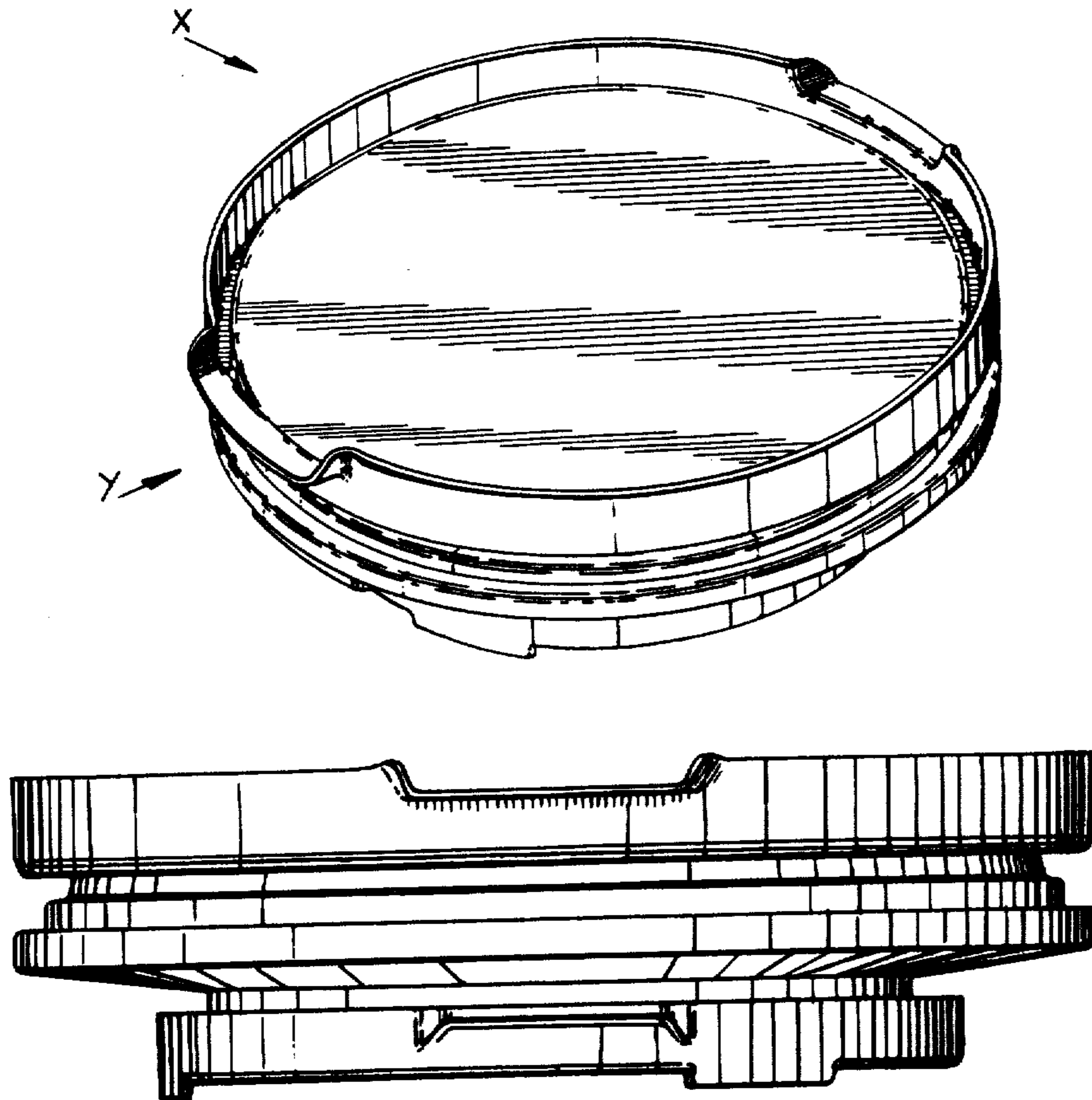


FIG. 1.

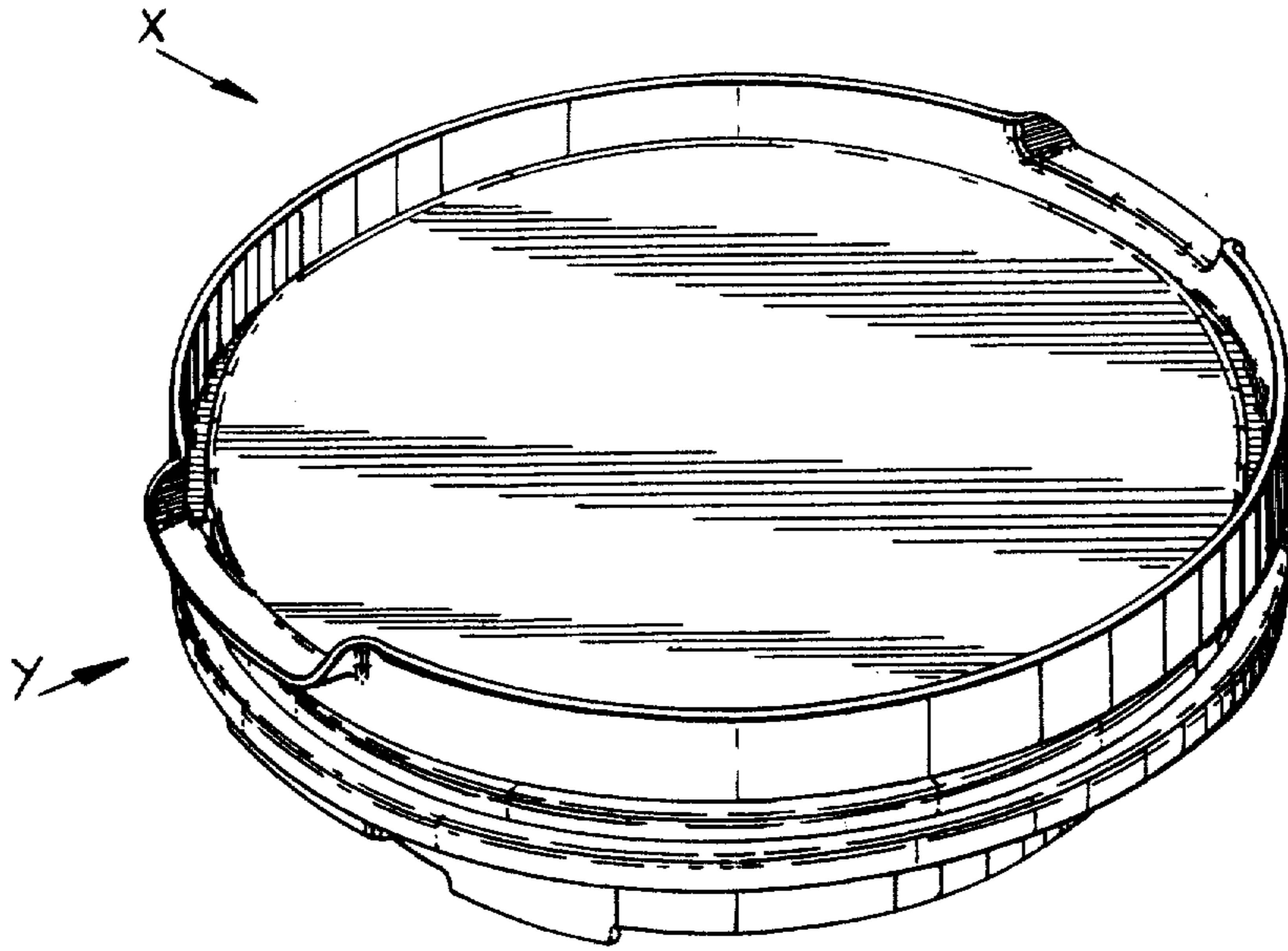


FIG. 2.

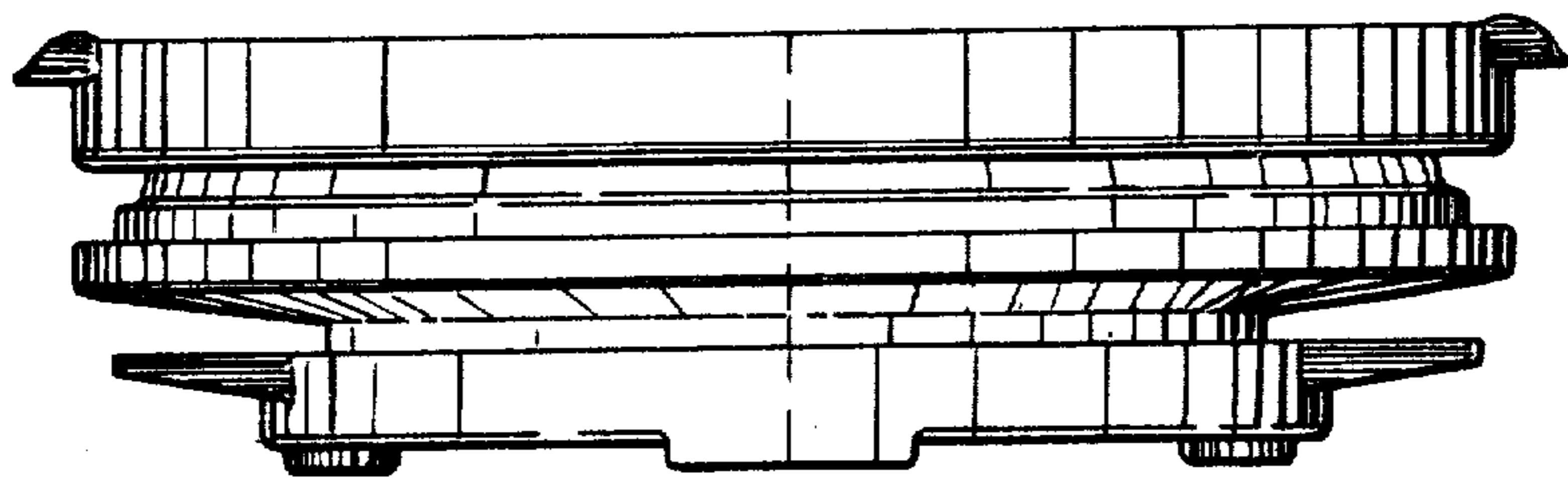


FIG. 3

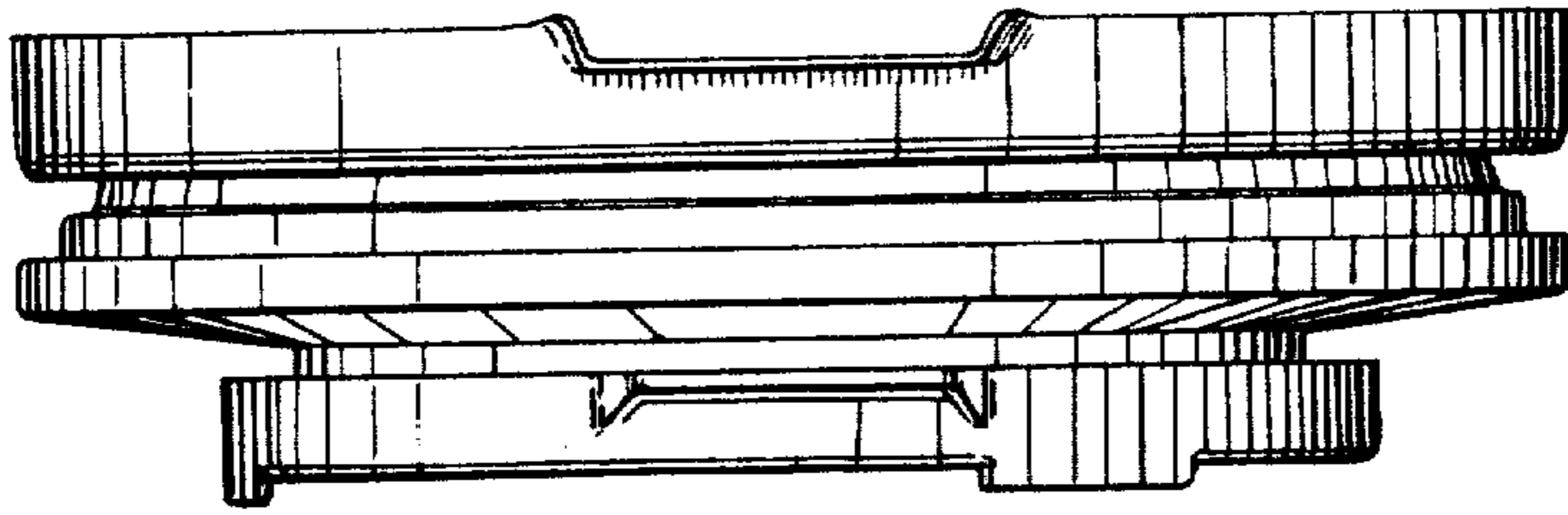


FIG. 4

