

[54] MEAT GRILL

[75] Inventor: Pierre Ansel, Vagney, France

[73] Assignee: SEB, Selongey, France

[**] Term: 14 Years

[21] Appl. No.: 90,448

[22] Filed: Nov. 1, 1979

[30] Foreign Application Priority Data

May 23, 1979 [FR] France 79 160

[51] Int. Cl. D7-02

[52] U.S. Cl. D7/88; D7/110

[58] Field of Search D7/87, 88, 89, 94, 110;
D15/104; 99/372, 374, 376, 377, 379; 219/524,
525

[56] References Cited

U.S. PATENT DOCUMENTS

- D. 204,580 4/1966 Cornwell et al. D7/88
- D. 213,931 4/1969 Bardeau D15/104
- D. 232,012 7/1974 Bardeau D7/88
- D. 242,975 1/1977 Daher D7/88
- 4,002,112 1/1977 Snyder 219/458 X

- 4,178,500 12/1979 Brindopke 219/521 X
- 4,226,178 10/1980 Geissler et al. 99/474 X

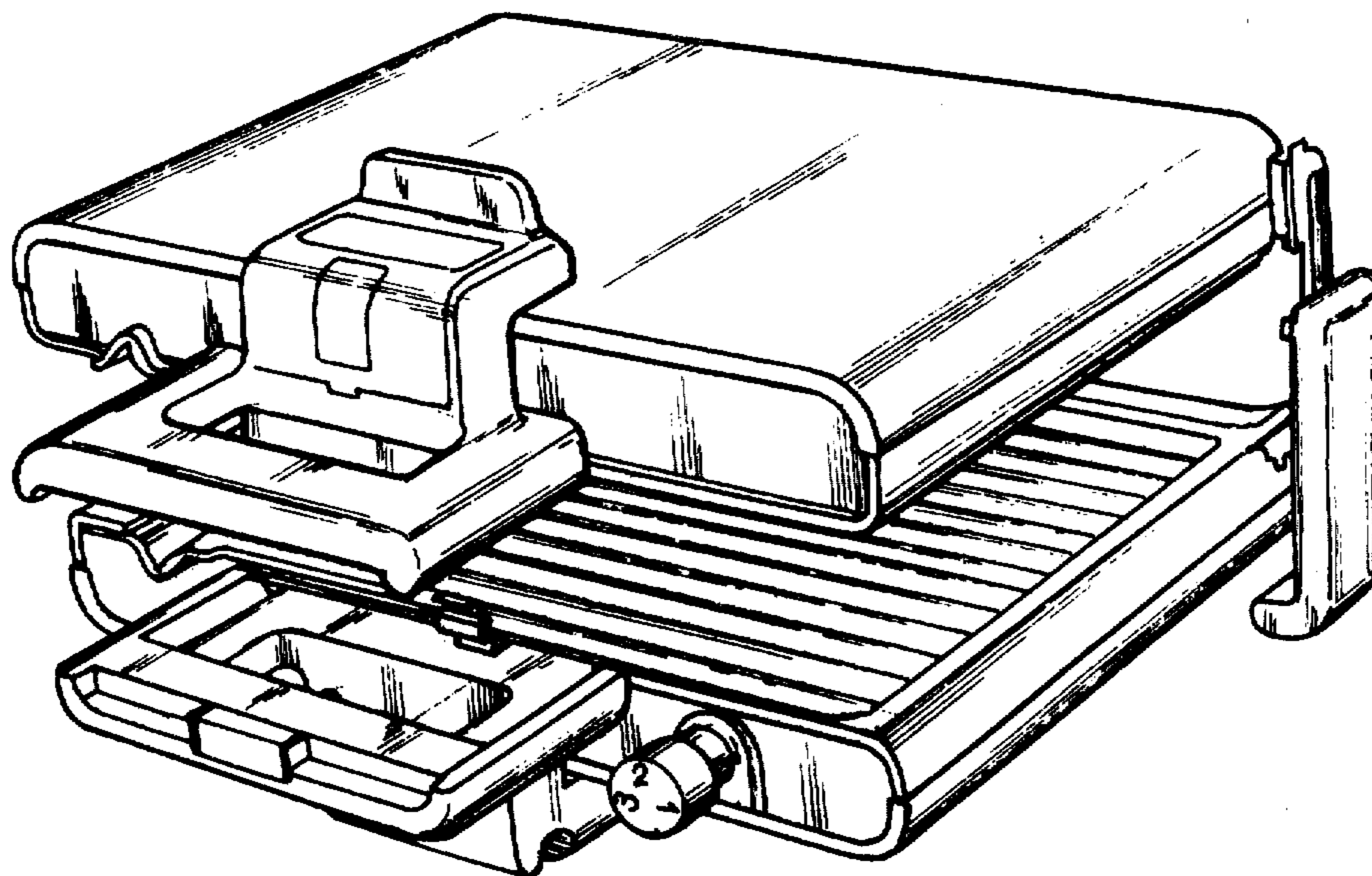
Primary Examiner—Catherine E. Kemper
Attorney, Agent, or Firm—Young & Thompson

[57] CLAIM

The ornamental design for a meat grill, as shown and described.

DESCRIPTION

FIG. 1 is a front elevational view of a meat grill, showing my new design, in the closed position;
 FIG. 2 is a rear elevational view thereof;
 FIG. 3 is a side elevational view thereof;
 FIG. 4 is a side elevational view thereof, opposite FIG. 3;
 FIG. 5 is a top plan view thereof;
 FIG. 6 is a bottom plan view thereof;
 FIG. 7 is a top perspective view thereof;
 FIG. 8 is a top perspective view thereof, the top part of the grill being lifted vertically;
 FIG. 9 is a front perspective view of the grill when partially open;
 FIG. 10 is a top perspective view thereof partially open;
 FIG. 11 is a top perspective view of the grill completely open.



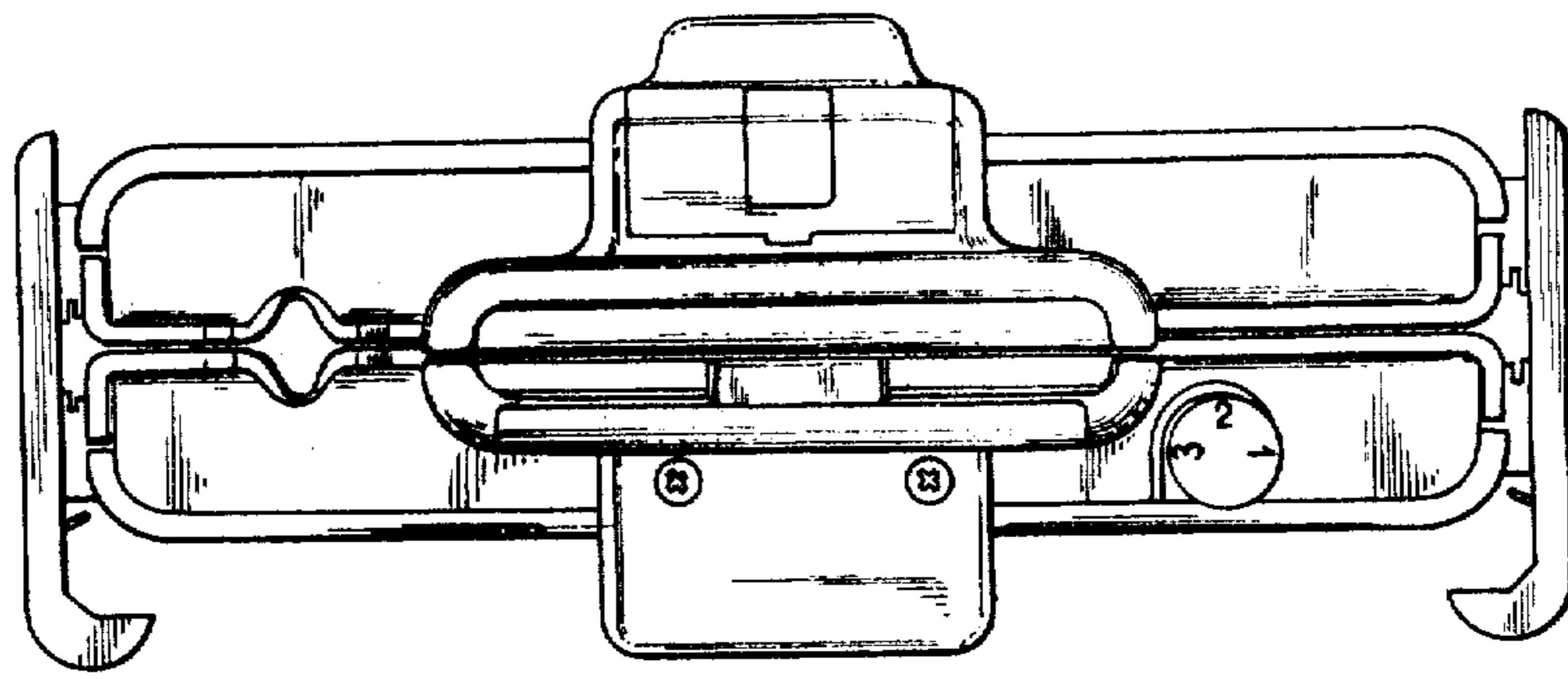


FIG. 1

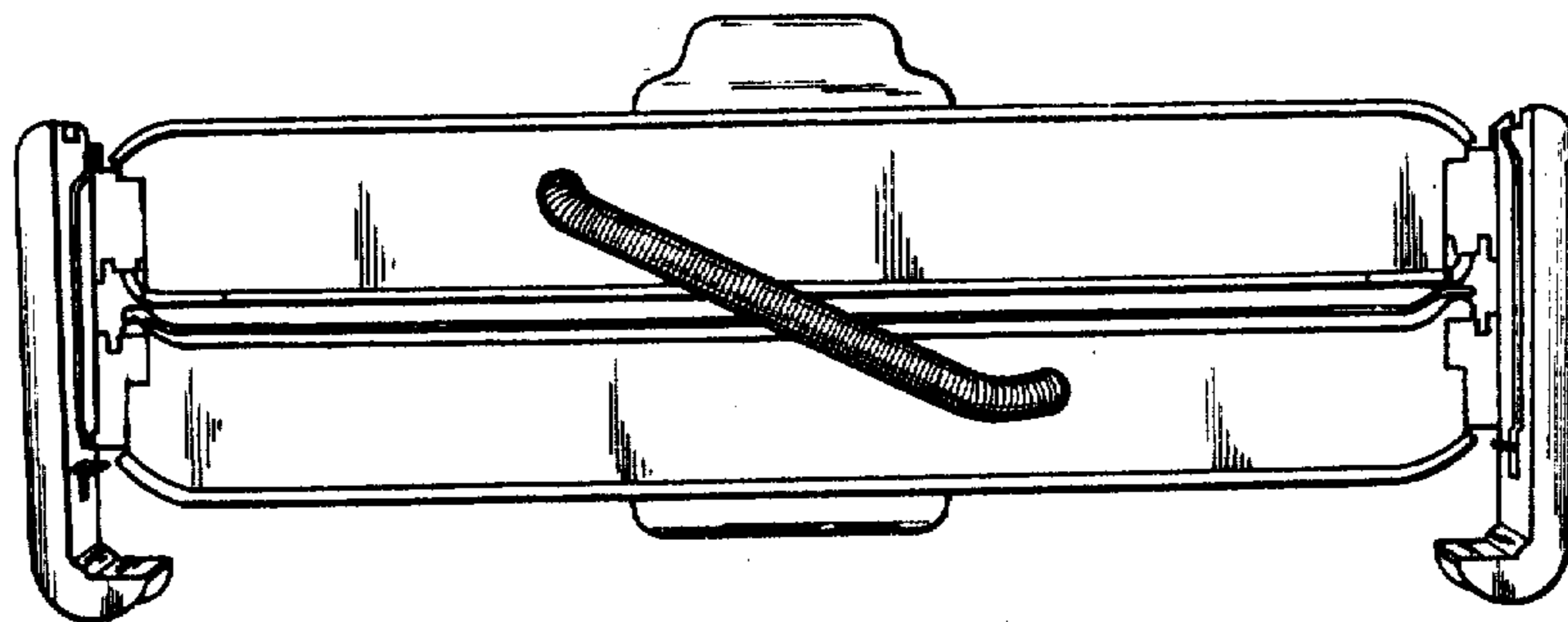


FIG. 2

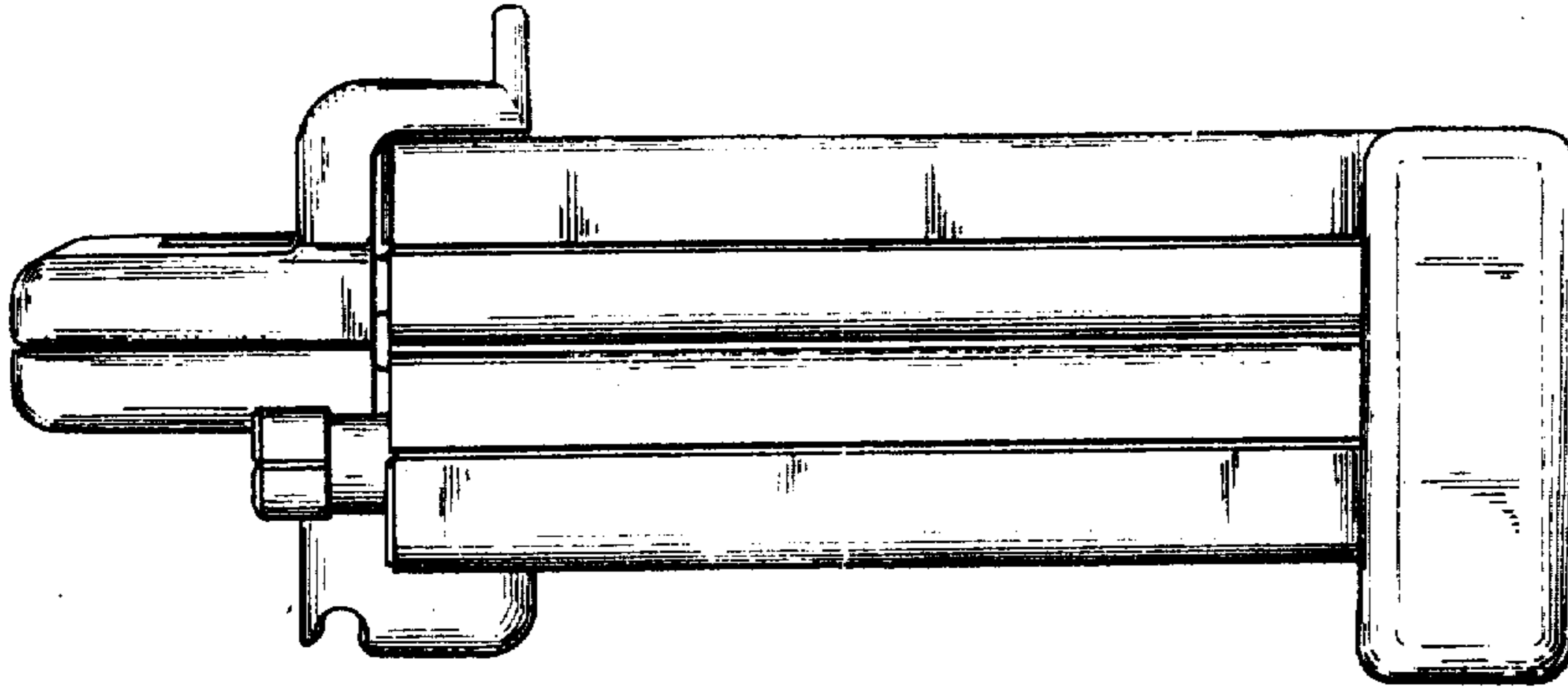


FIG. 3

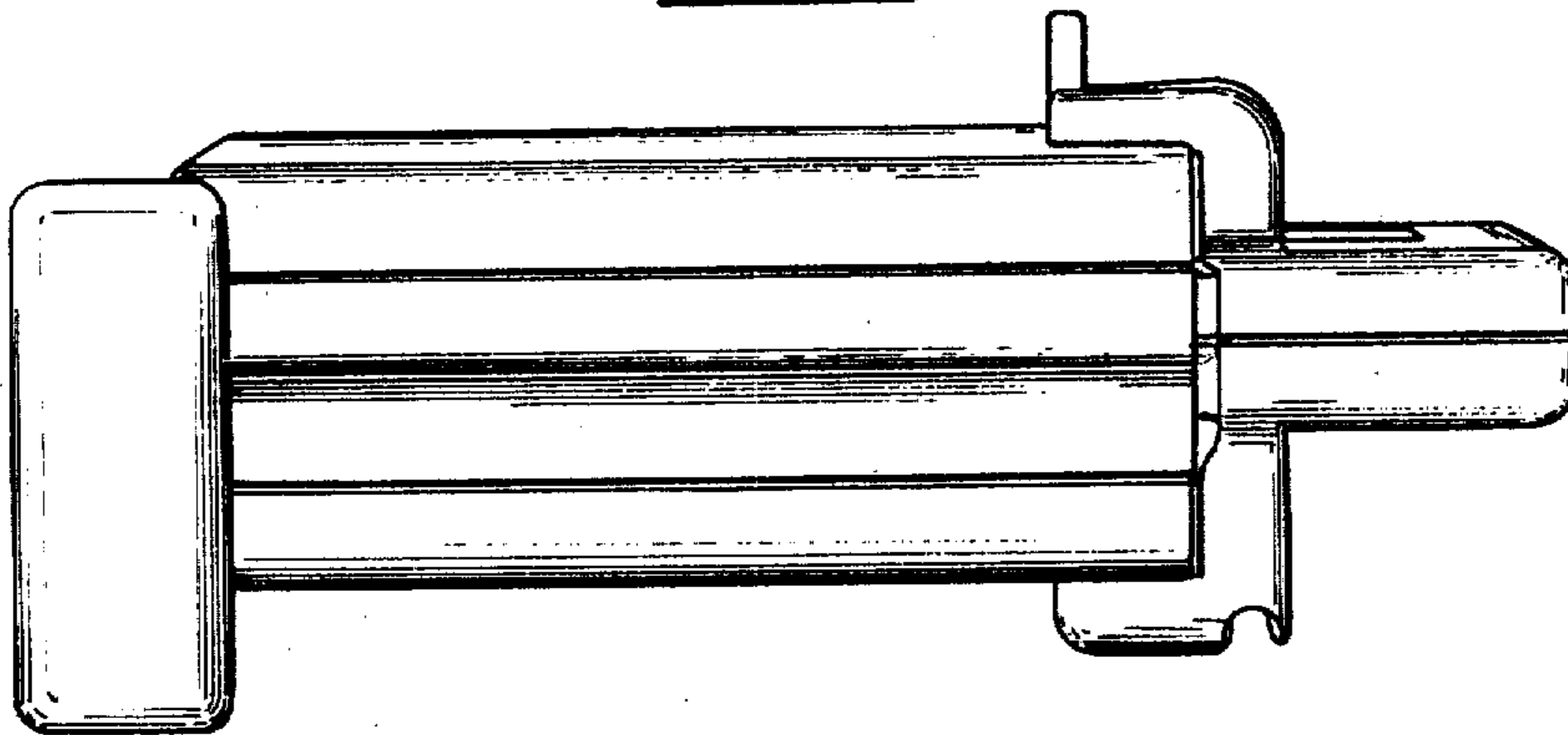


FIG. 4

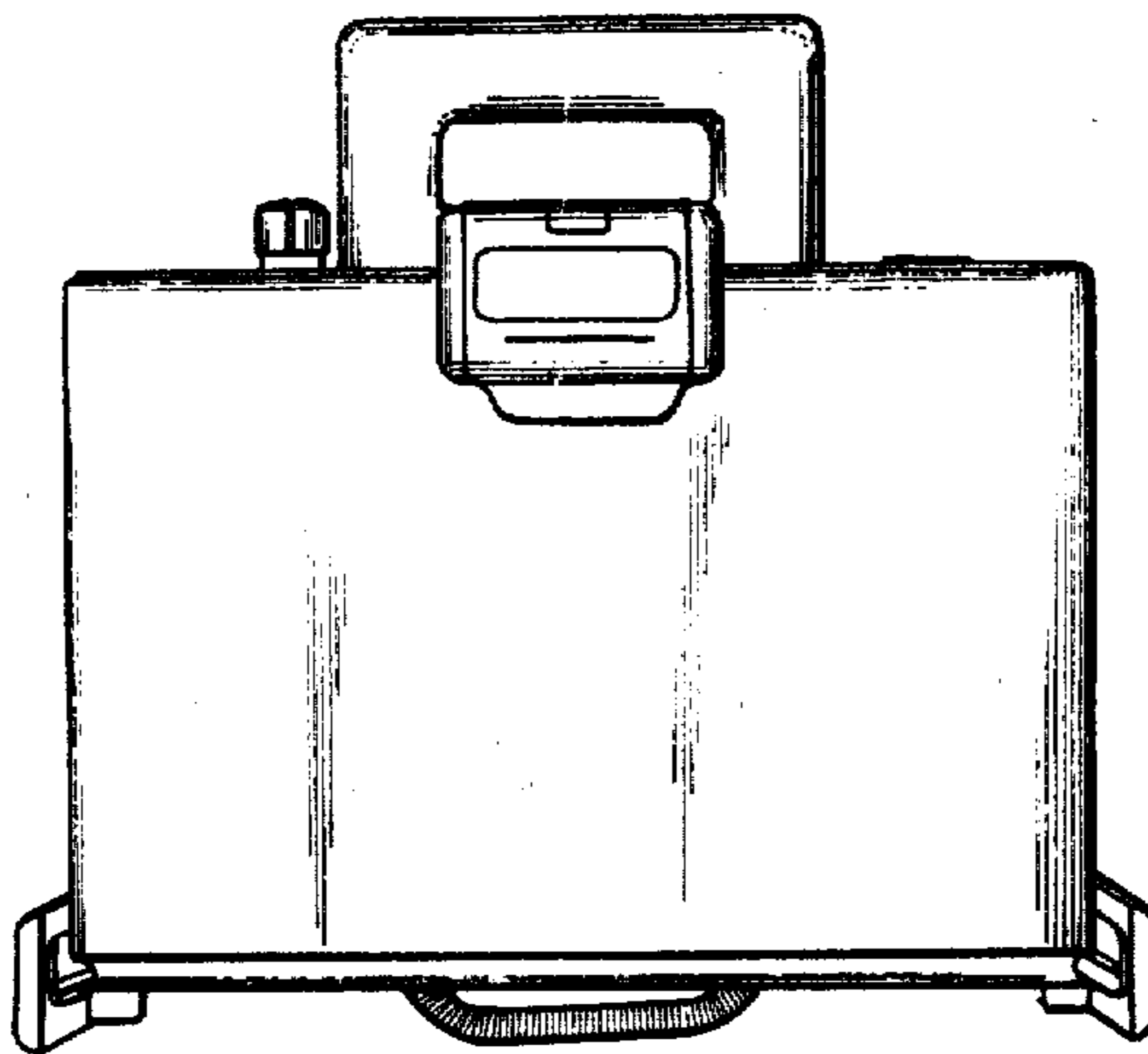


FIG. 5

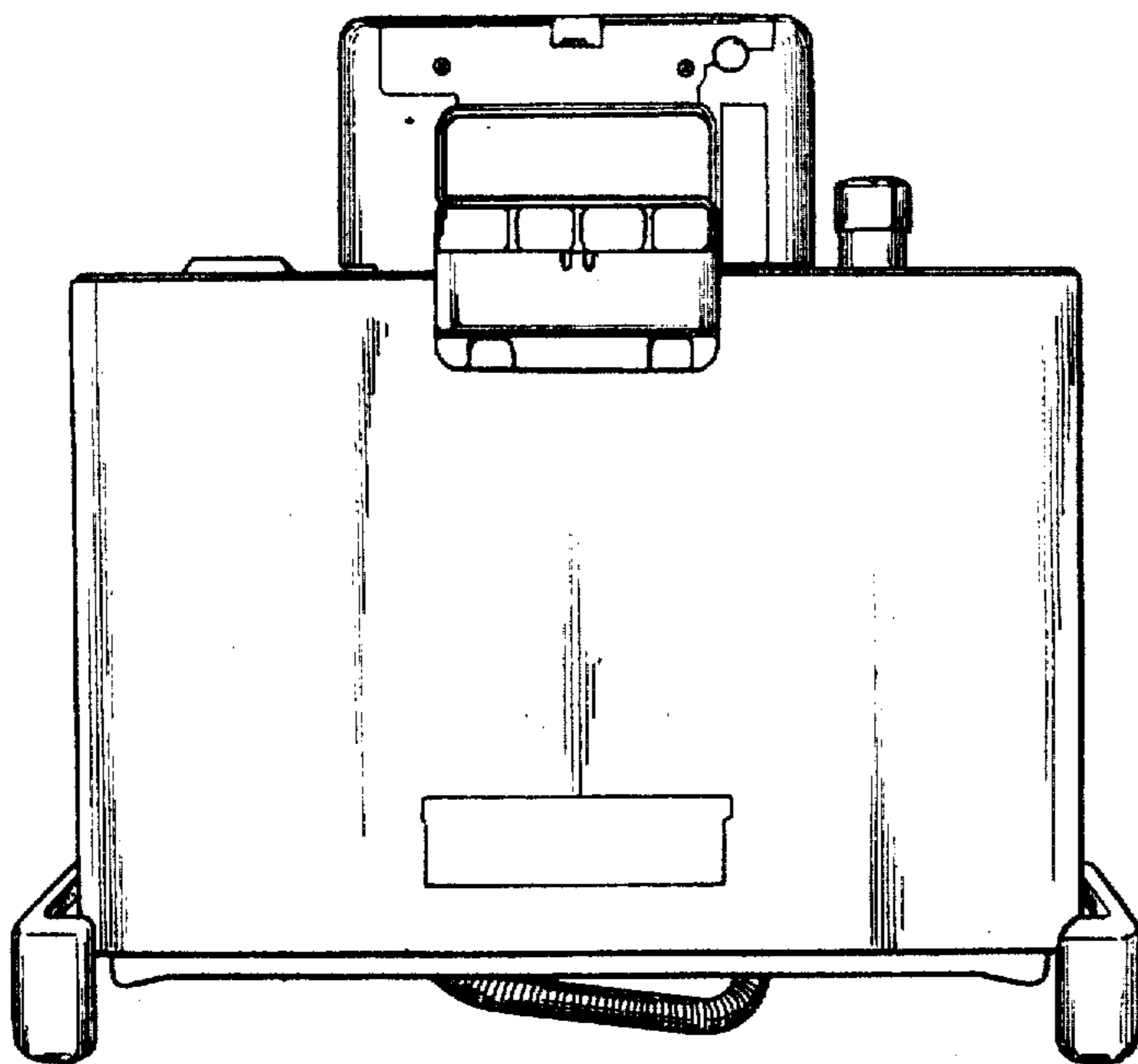


FIG. 6

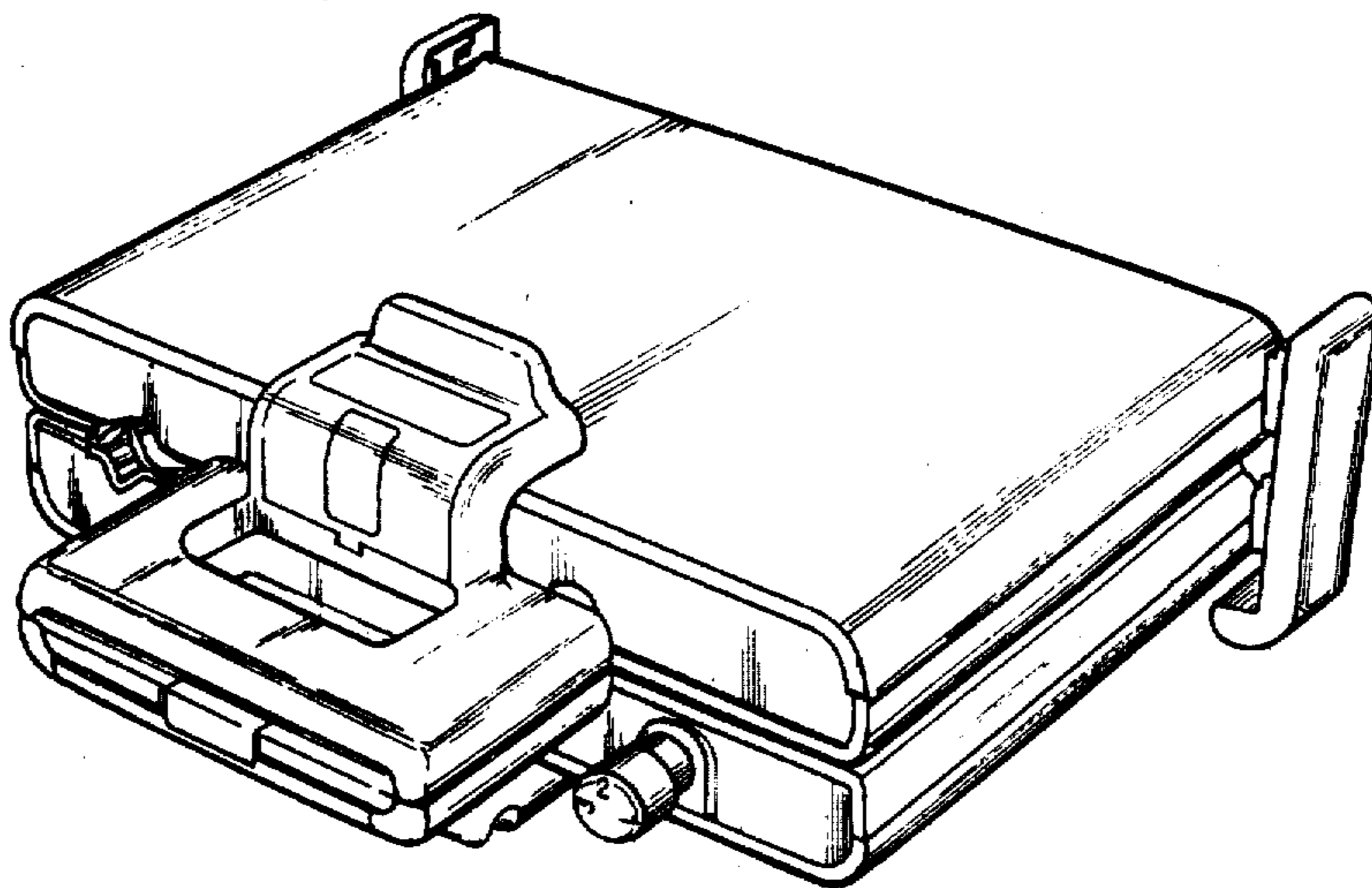


FIG. 7

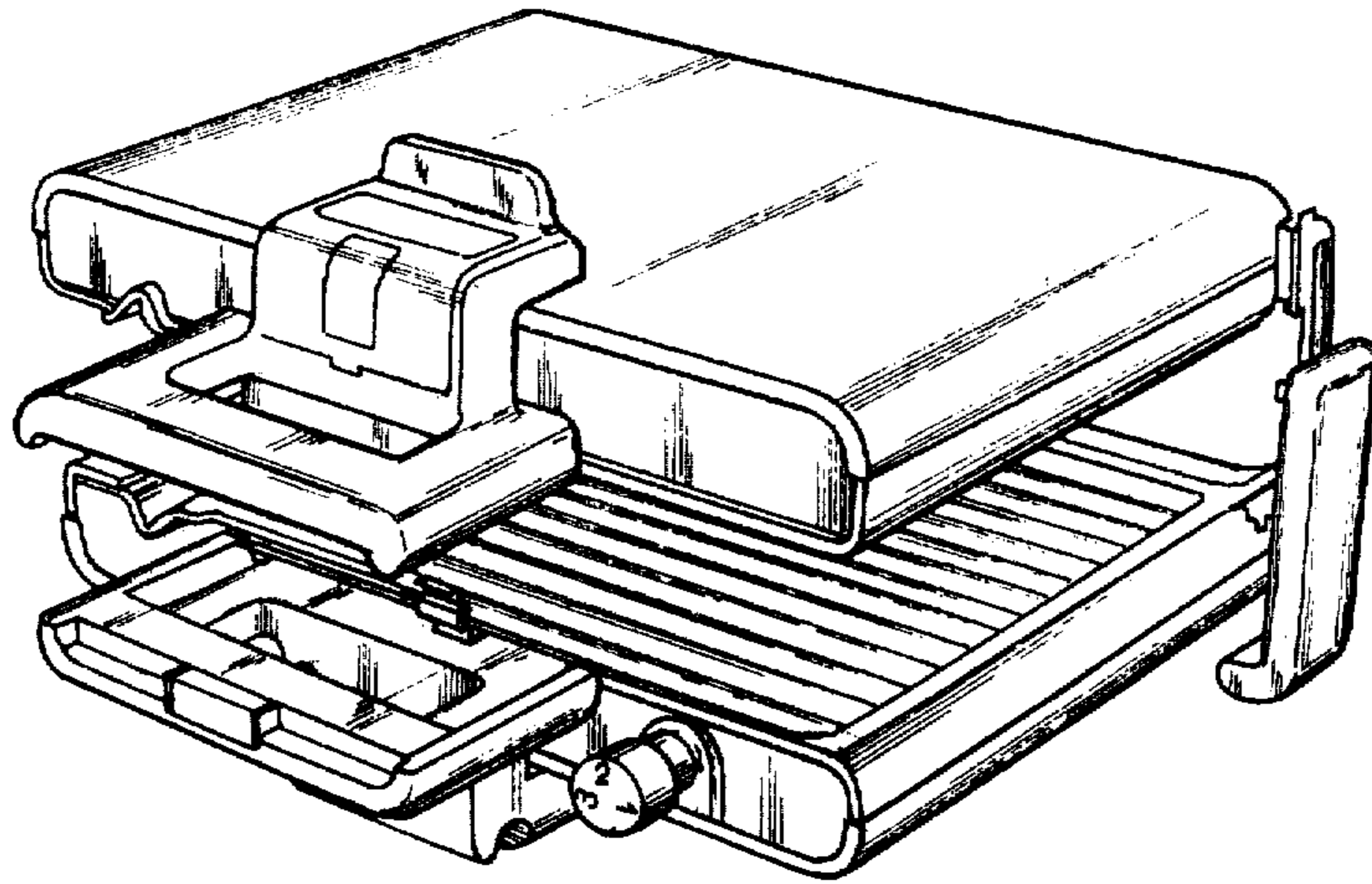


FIG. 8

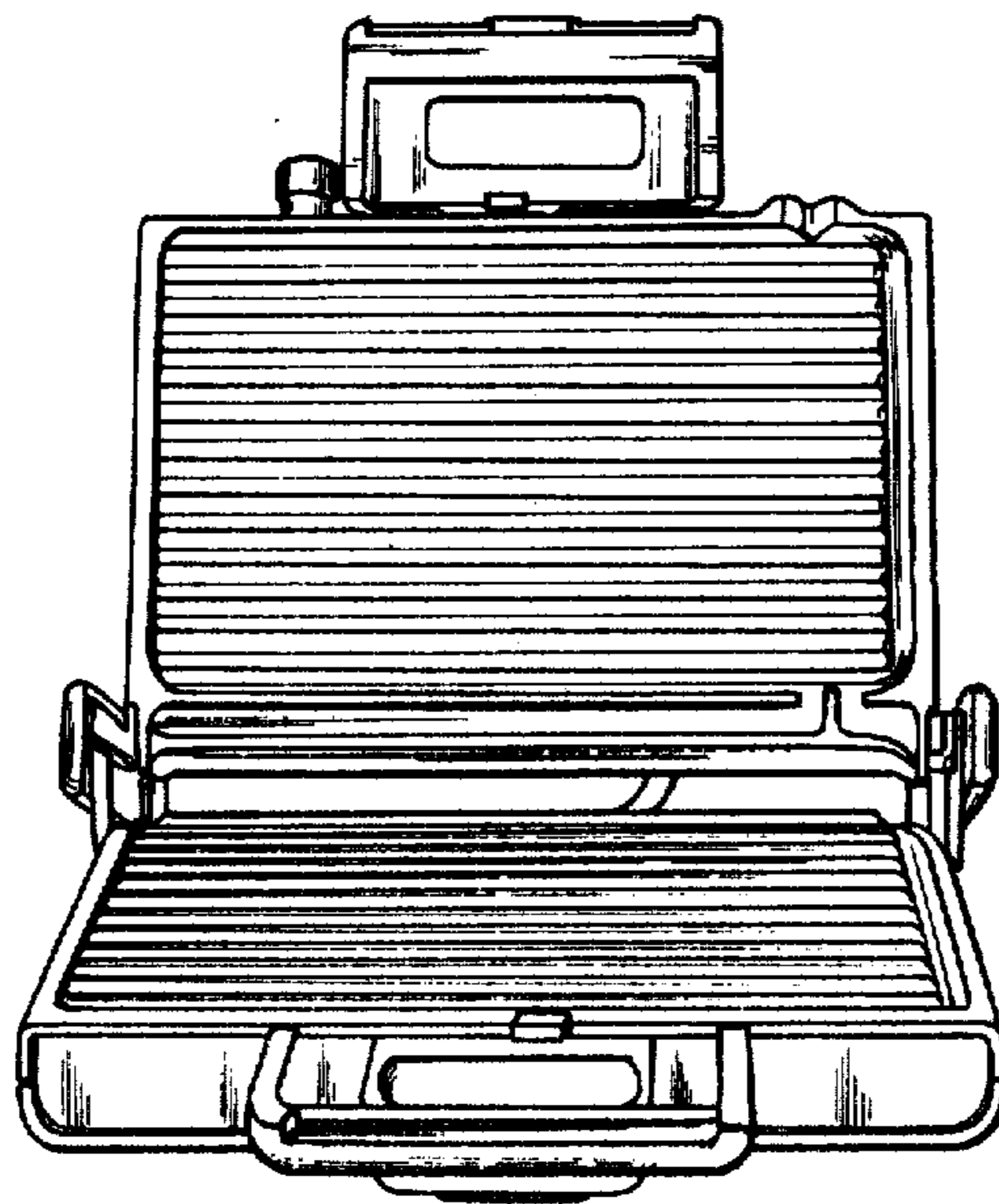


FIG. 9

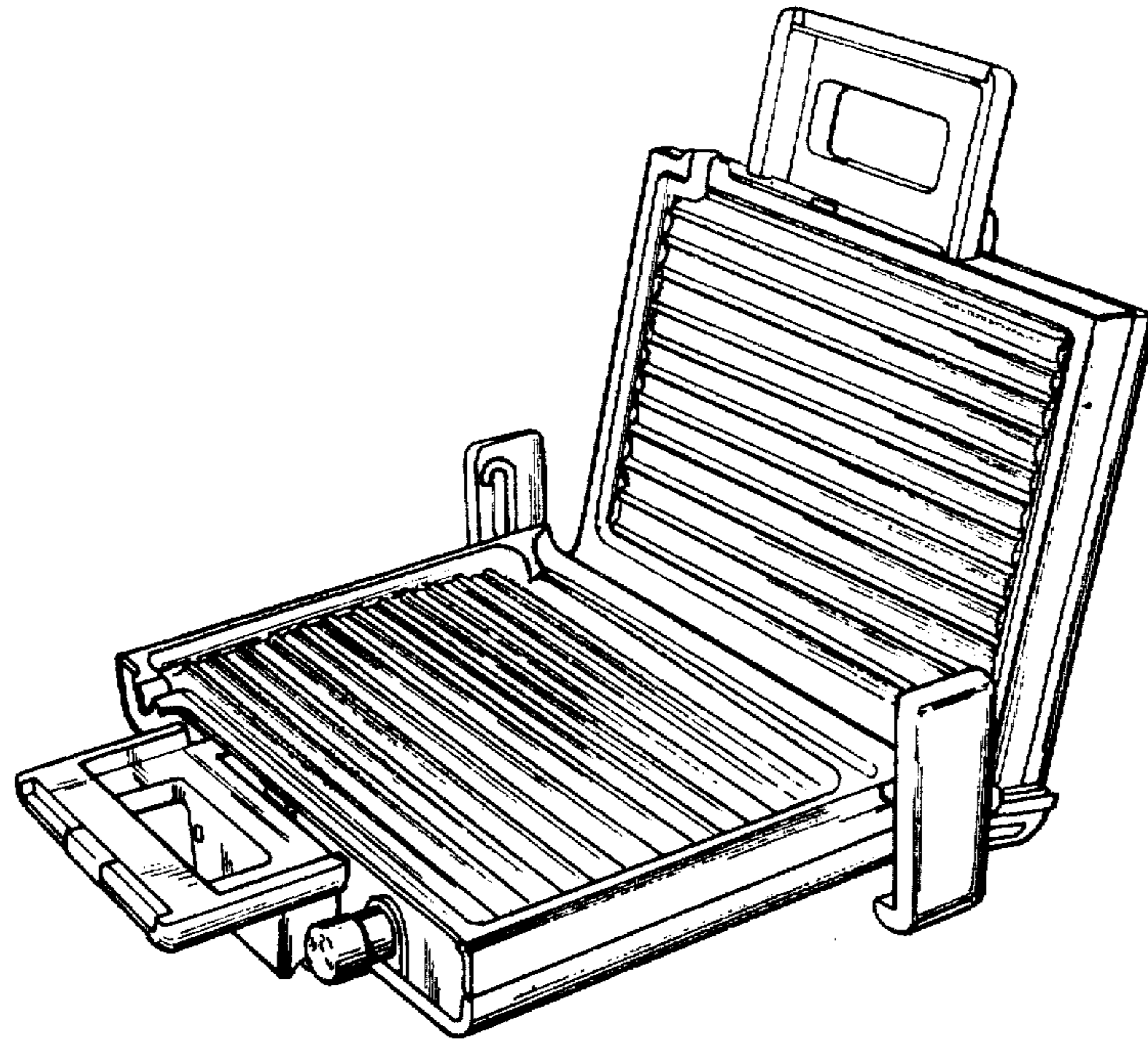


FIG. 10

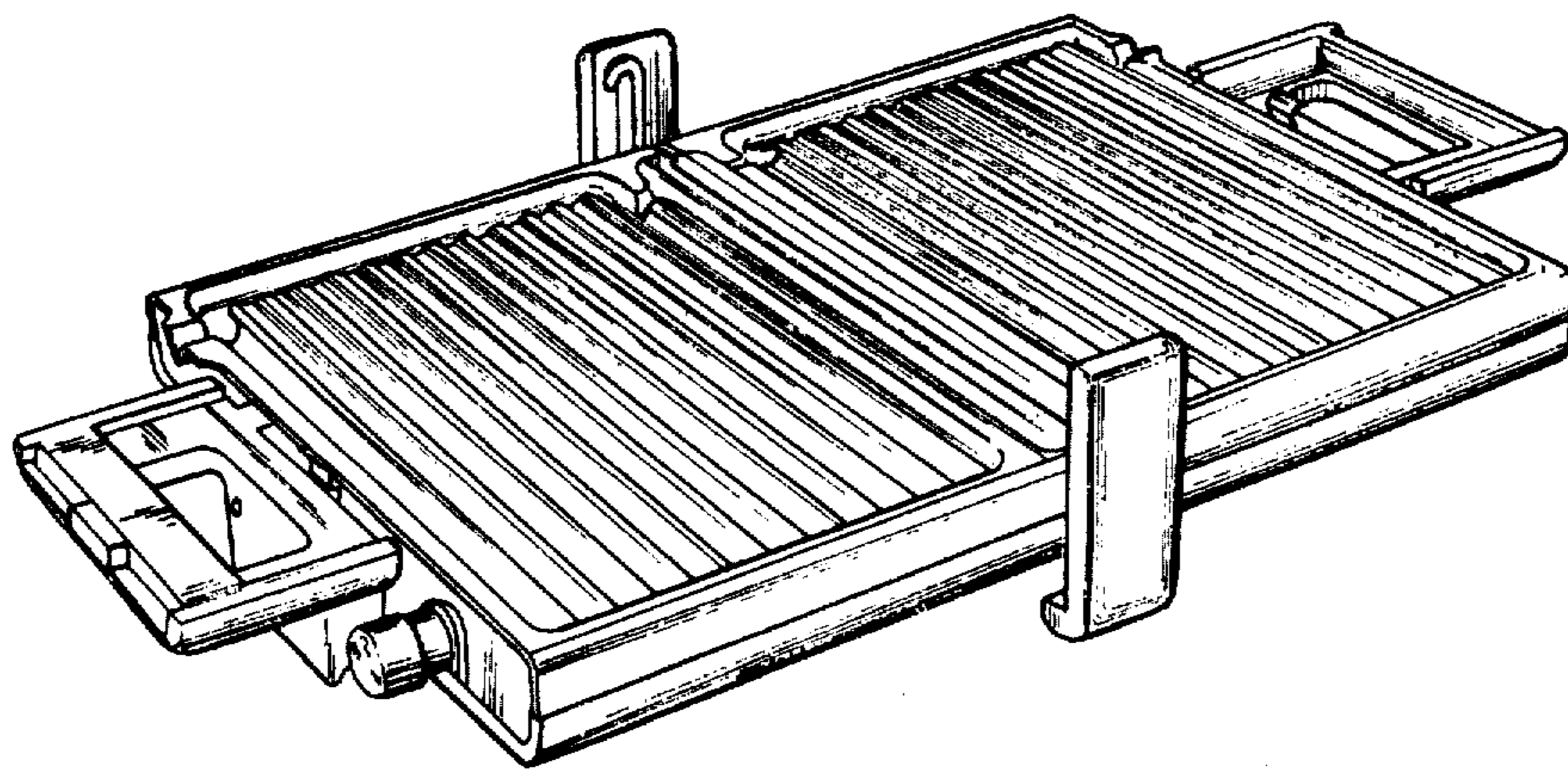


FIG. 11