

- [54] **FOOD STORAGE CONTAINER**
- [75] Inventor: **Andrew V. Taylor**, Sydney, Australia
- [73] Assignee: **Tayclox Industries Pty. Limited**,
Hornsby, Australia
- [**] Term: **14 Years**
- [21] Appl. No.: **150,612**
- [22] Filed: **May 16, 1980**
- [51] Int. Cl. **D7-01; D7-07**
- [52] U.S. Cl. **D7/17; D7/27;**
D7/76
- [58] Field of Search **D9/425, 428; D7/81,**
D7/79, 76, 16, 17, 18, 77, 52, 23, 27
- [56] **References Cited**

U.S. PATENT DOCUMENTS

D. 38,512	4/1907	Donovan	D7/27 X
D. 212,034	8/1968	Hallbeck	D7/77
D. 228,114	8/1973	De La Rosa	D7/17

D. 231,747	6/1974	Davis	D7/27 X
261,811	7/1882	Coues	D7/18 X
348,839	9/1886	Grosz	D7/27 X
2,951,610	9/1960	Smalley, Jr.	D7/17 X

OTHER PUBLICATIONS

Colonial Garden Kitchens, p. 52, top right Item #2780.
"3 Level See-Thru Seed Sprouter".

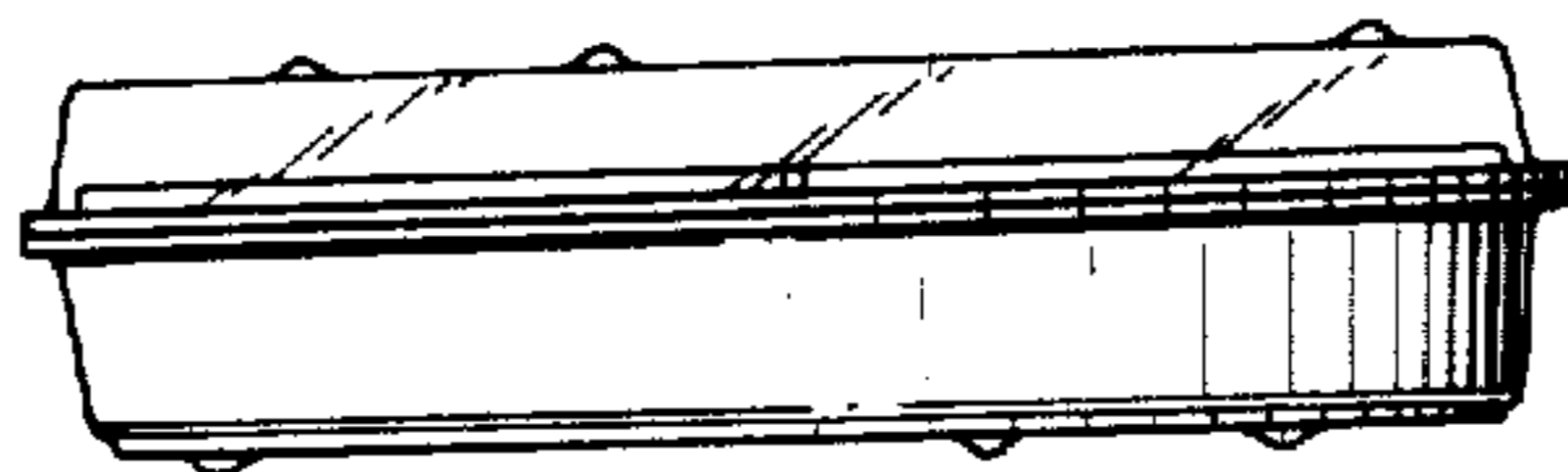
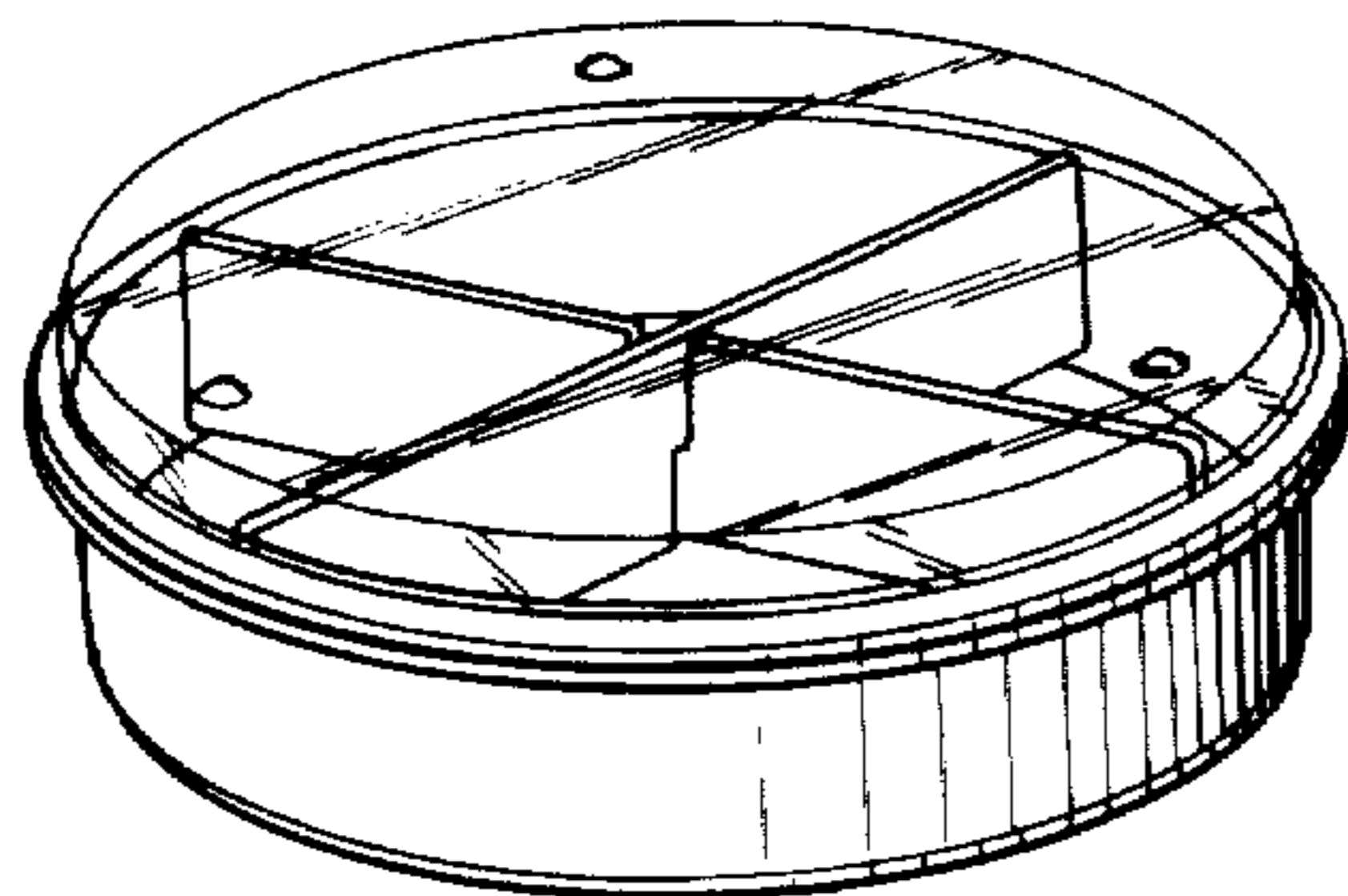
Primary Examiner—Winifred E. Herrmann
Attorney, Agent, or Firm—Emory L. Groff, Jr.

[57] **CLAIM**

The ornamental design for a food storage container,
substantially as shown.

DESCRIPTION

FIG. 1 is a perspective view of a food storage container
showing my new design;
FIG. 2 is a top plan view thereof;
FIG. 3 is a bottom plan view thereof; and
FIG. 4 is a side elevational view thereof taken in the
direction of arrow IV in FIG. 2.



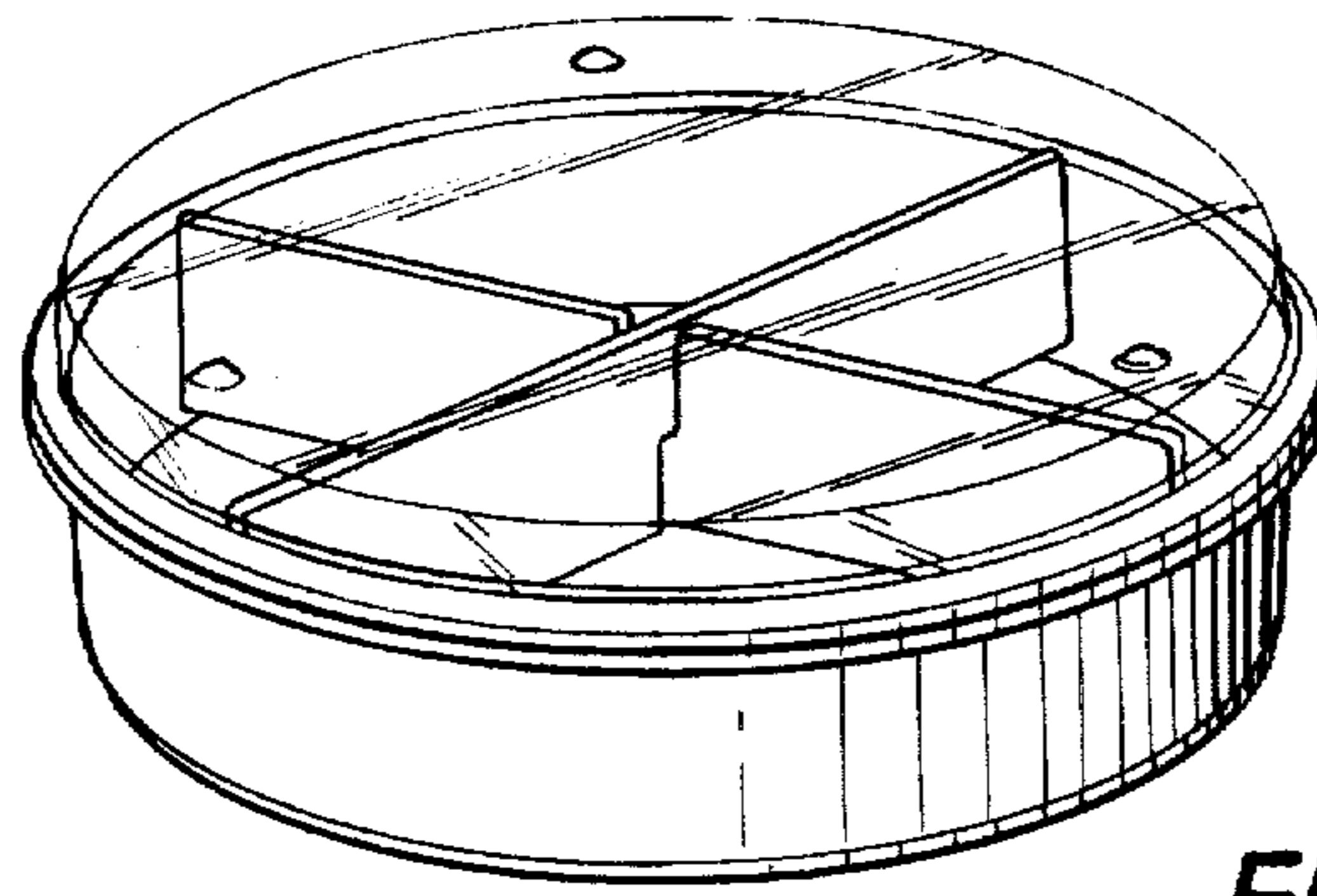


FIG. 1

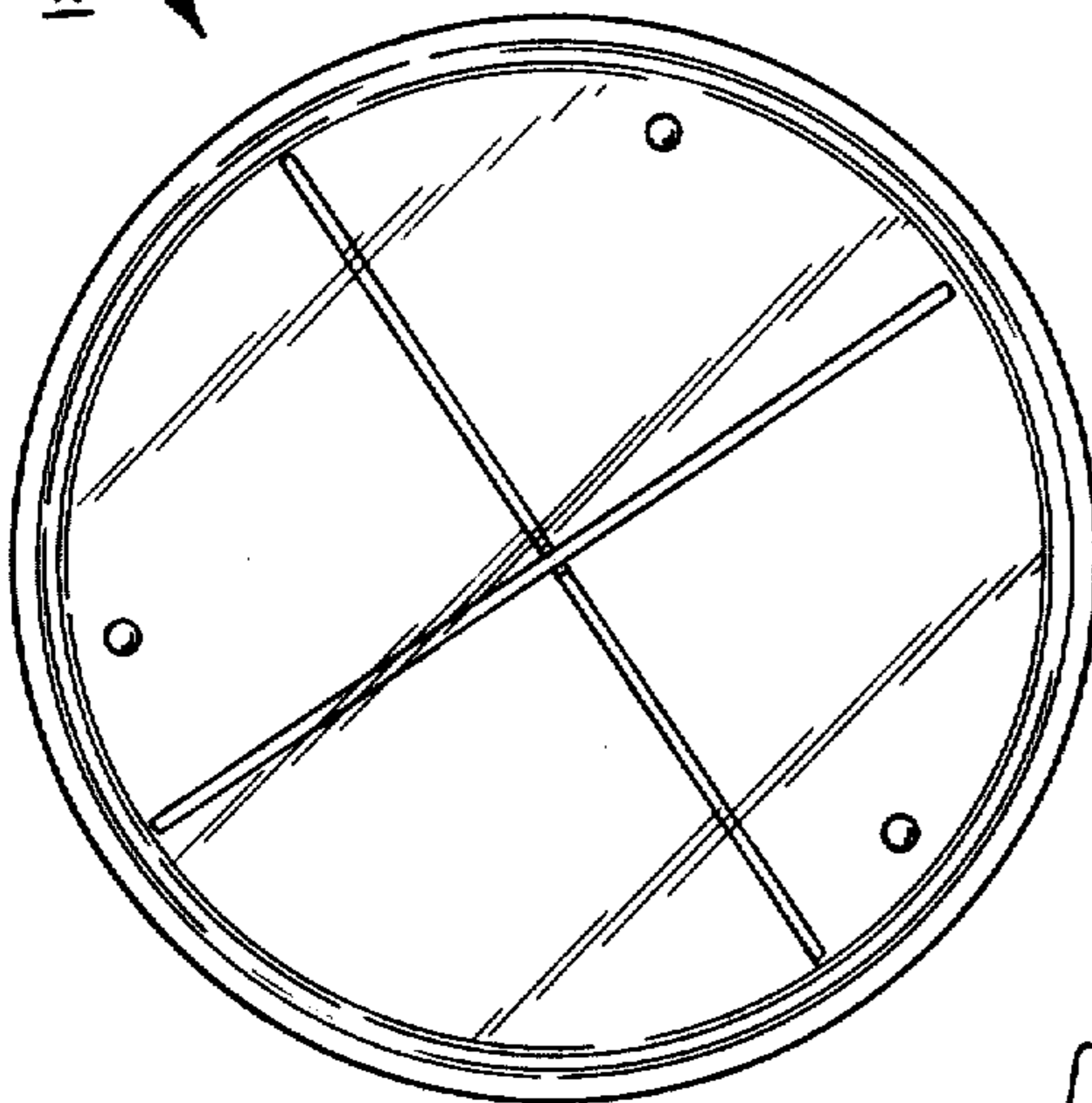


FIG. 2

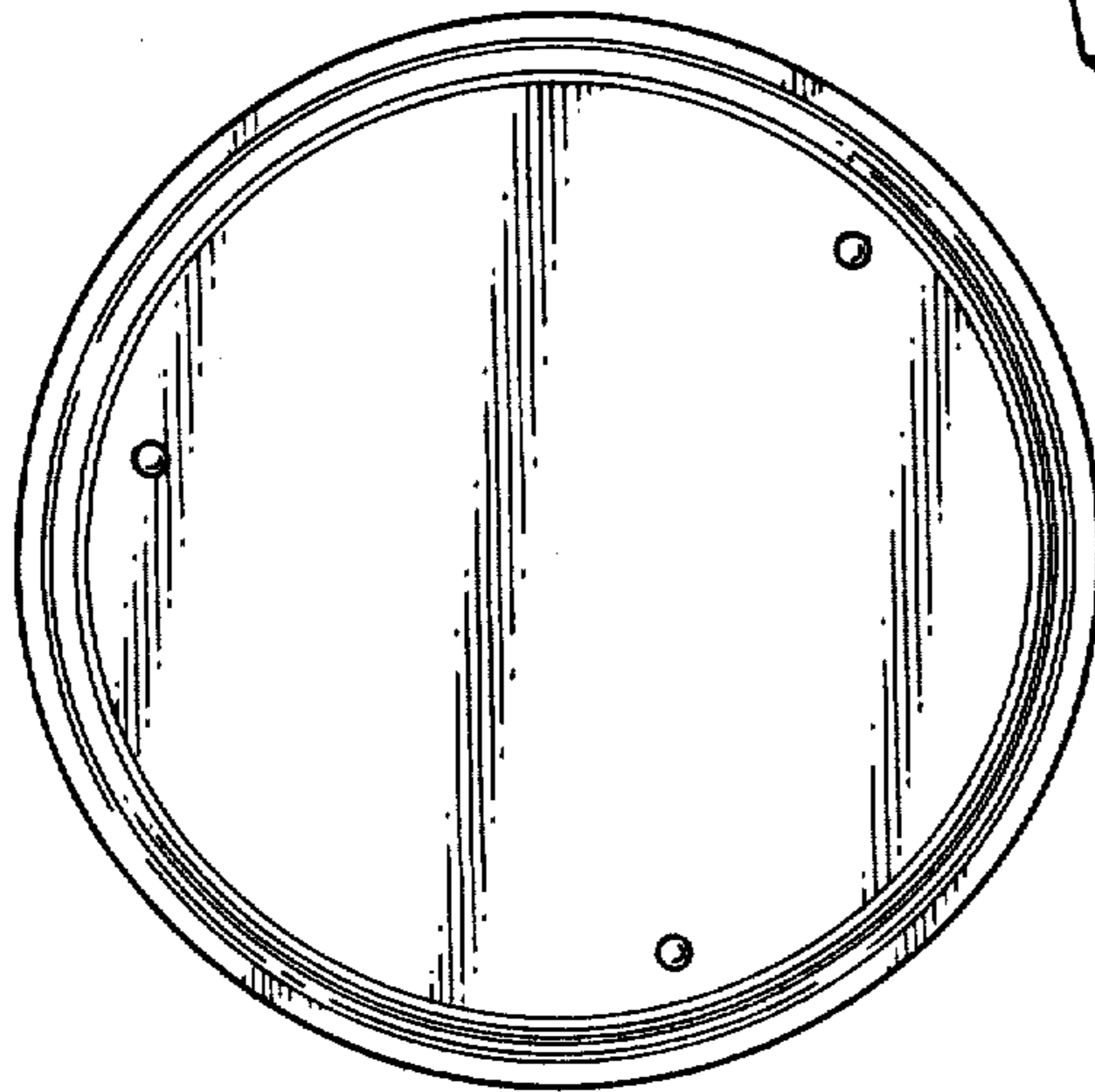


FIG. 3

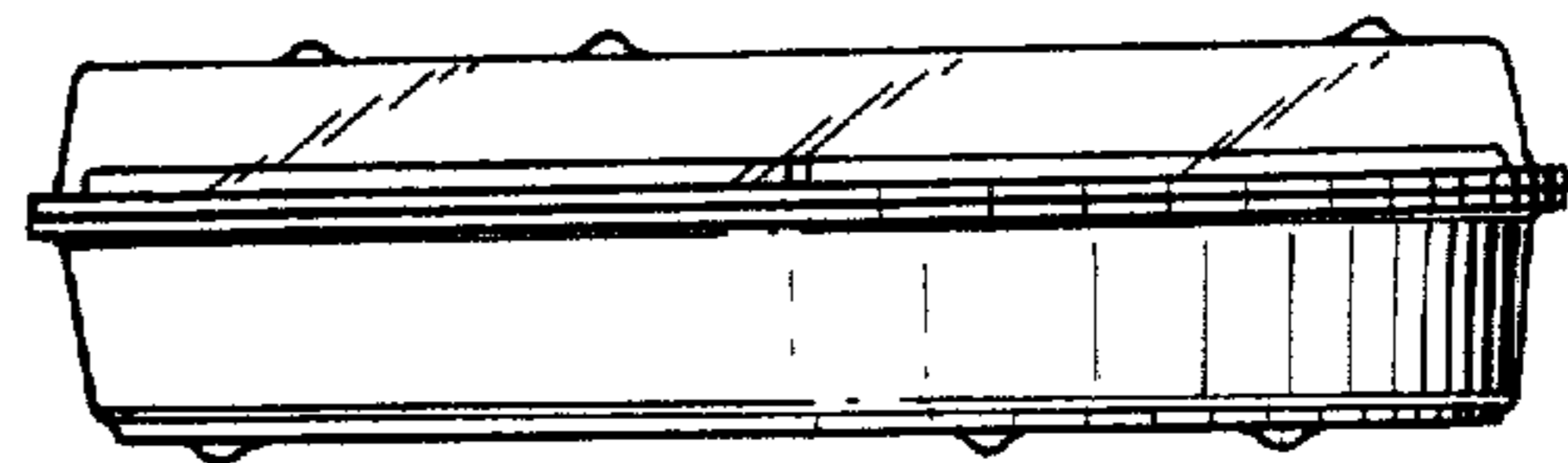


FIG. 4