

[54] **DISPENSING RACK FOR ROLLING GOODS**

[75] Inventor: **Marvin Zaro**, New York, N.Y.

[73] Assignee: **Advertising Displays Company**, Englewood, N.J.

[**] Term: **14 Years**

[21] Appl. No.: **117,586**

[22] Filed: **Feb. 1, 1980**

Related U.S. Application Data

[63] Continuation-in-part of Ser. No. 29,089, Apr. 11, 1979.

[51] Int. Cl. **D6-04; D20-02**

[52] U.S. Cl. **D6/199; D6/136; D6/188**

[58] **Field of Search** D6/114, 130, 132-136, D6/181, 186, 188, 189, 191, 199; 211/13, 49 R, 49 D, 87, 88, 89, 90, 134, 153; 312/117, 124, 330 R; 108/152

[56] **References Cited**

U.S. PATENT DOCUMENTS

788,164	4/1905	McCaskey	312/234.4
1,418,324	6/1922	O'Connor	312/234.4
1,673,812	6/1928	Dunn	211/49 D

1,711,329	4/1929	Short	211/49 D
2,228,775	1/1941	Morgan	211/49 D
2,730,825	1/1956	Wilds	211/49 R
2,781,918	2/1957	Palm	211/49 D
3,872,974	3/1975	Anstatt	211/153

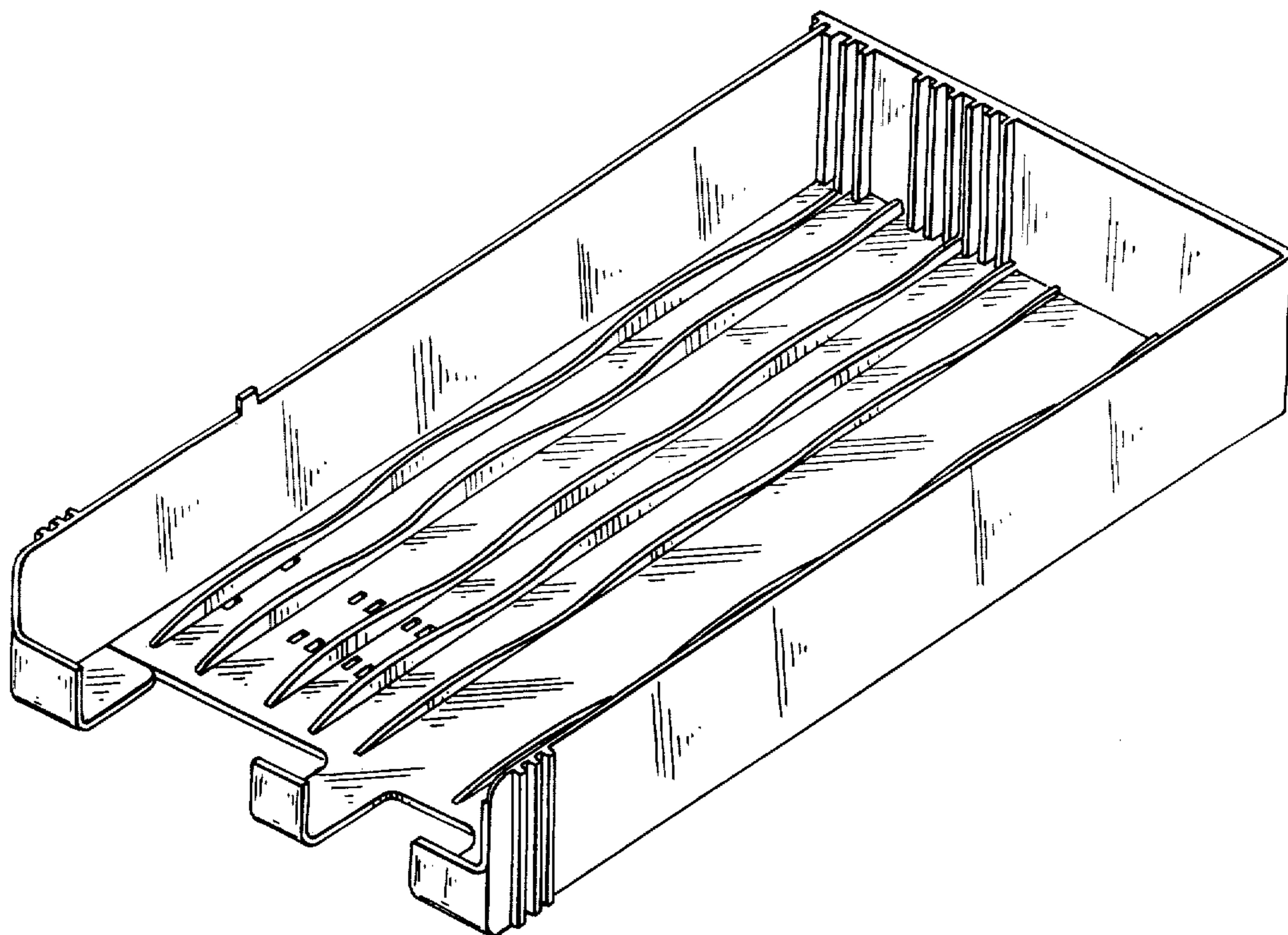
Primary Examiner—B. J. Bullock
Attorney, Agent, or Firm—Ladas & Parry

[57] **CLAIM**

The ornamental design for a dispensing rack for rolling goods, as shown and described.

DESCRIPTION

FIG. 1 is a perspective view of a dispensing rack for rolling goods showing my new design;
FIG. 2 is an enlarged top plan view thereof;
FIG. 3 is a front elevational view thereof;
FIG. 4 is a side elevational view taken from the right of FIG. 1;
FIG. 5 is a side elevational view taken from the left of FIG. 1;
FIG. 6 is a rear elevational view thereof;
FIG. 7 is an exploded fragmentary perspective view of the inner wall to the left of FIG. 1;
FIG. 8 is a bottom plan view thereof; and
FIG. 9 is a perspective view of a second embodiment of the design of FIG. 1, the only difference being a decrease in length.



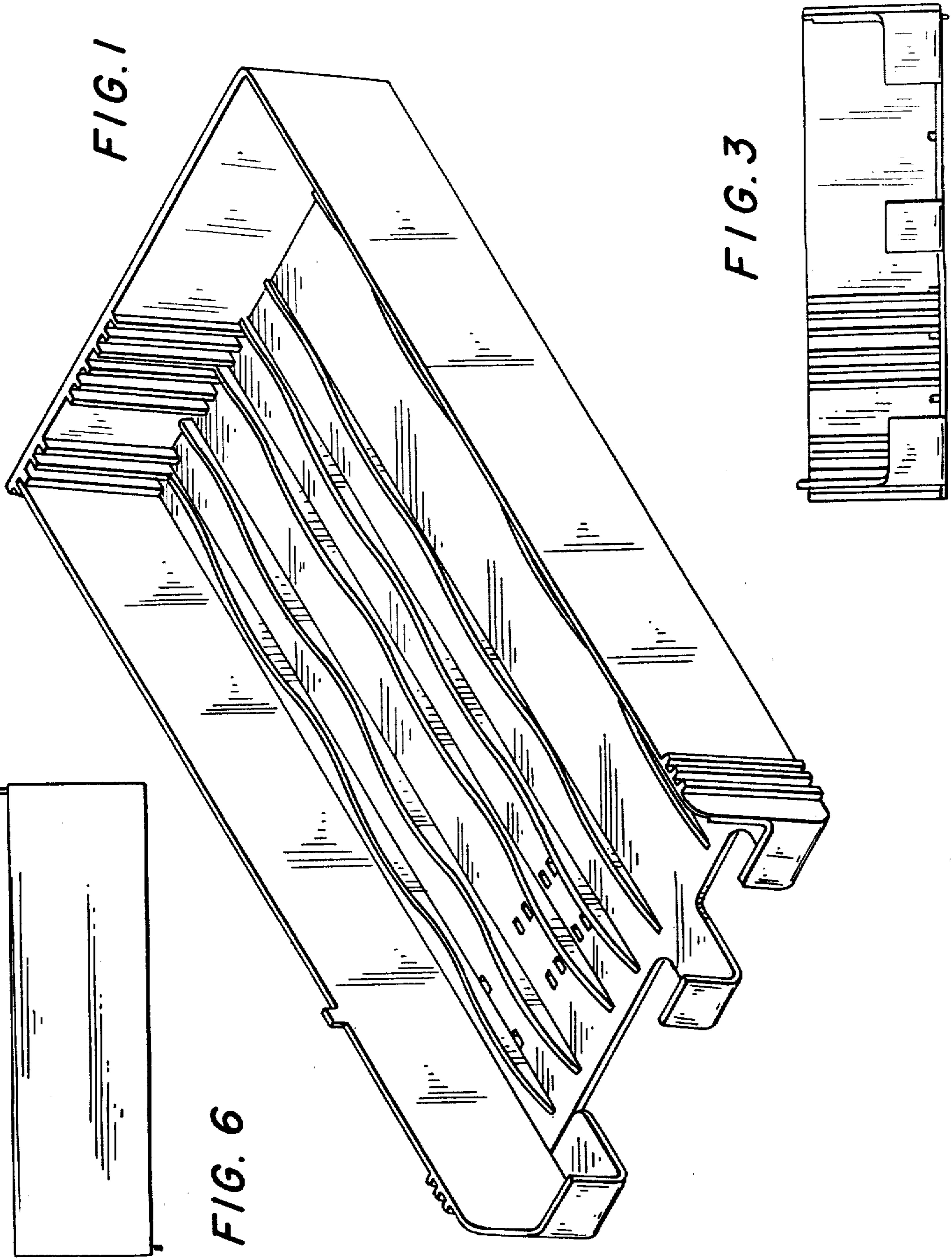


FIG. 2

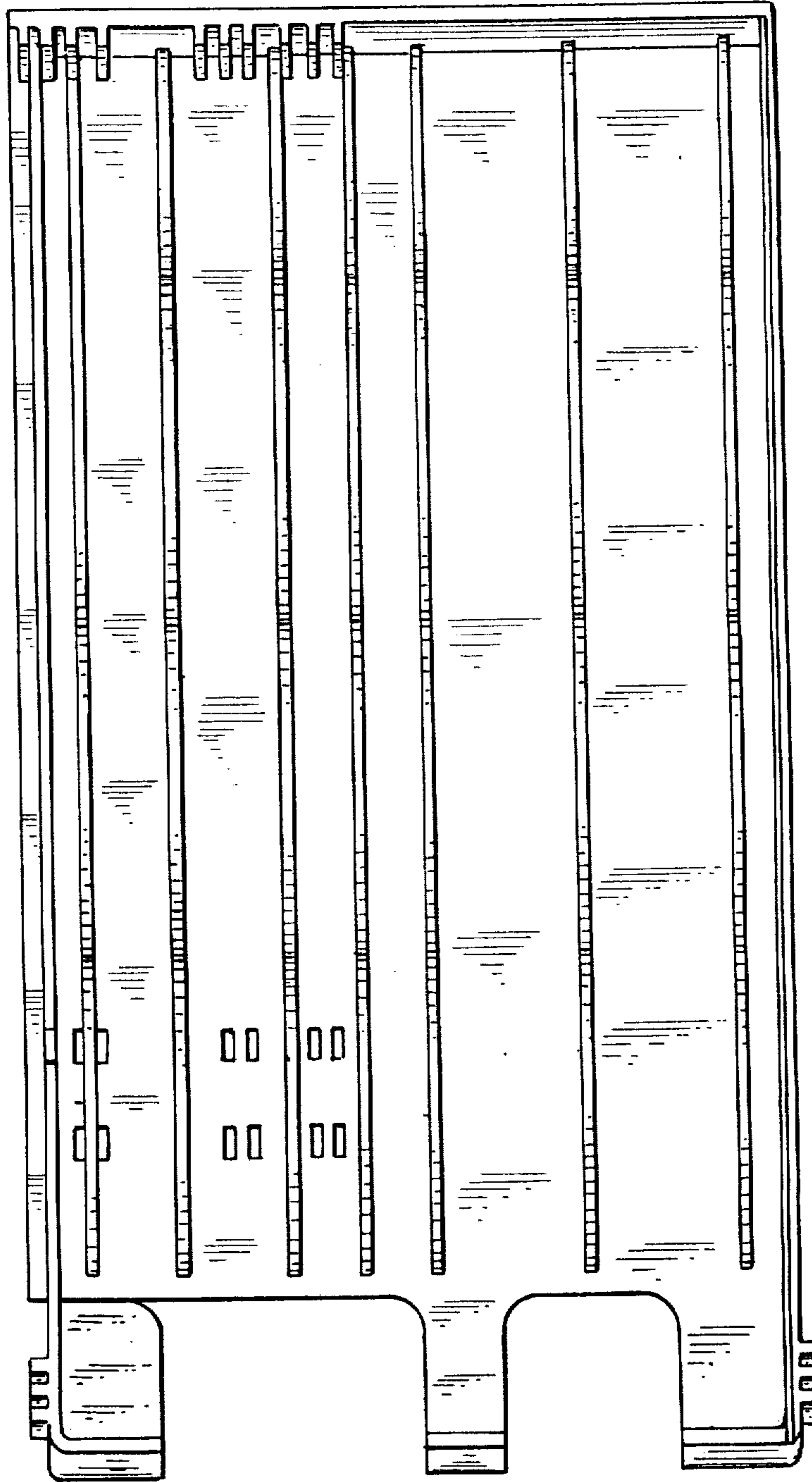


FIG. 4

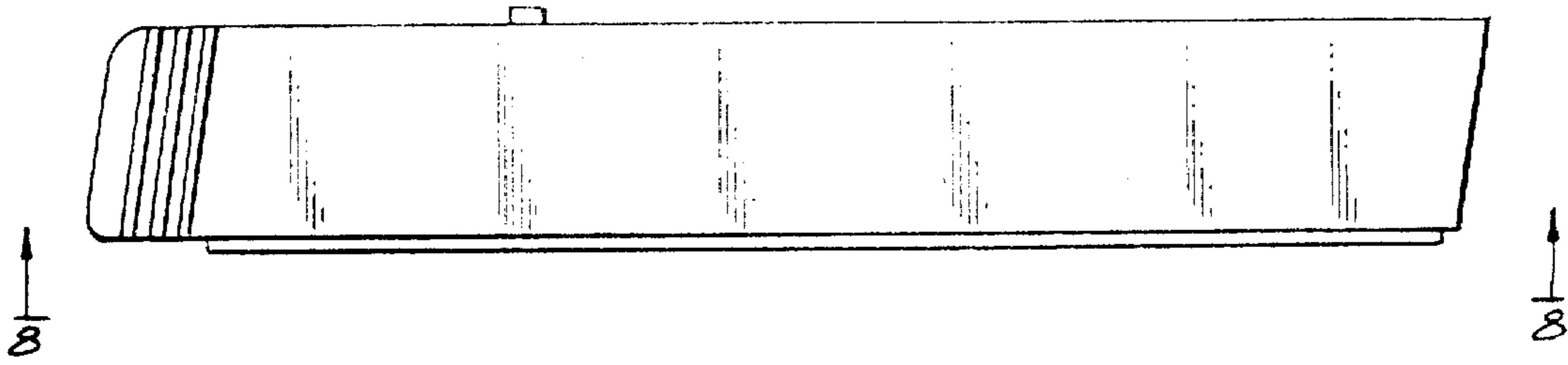


FIG. 5

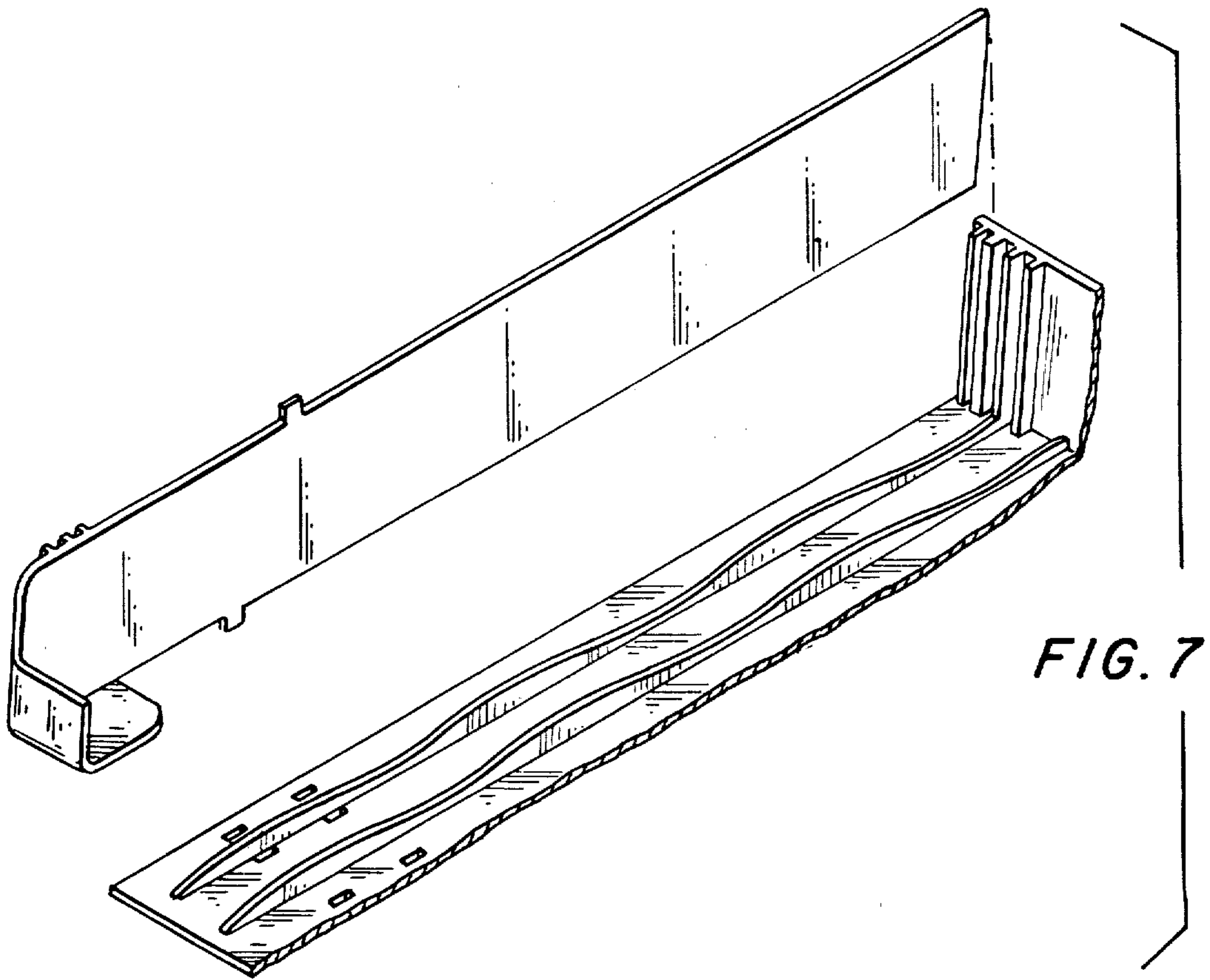
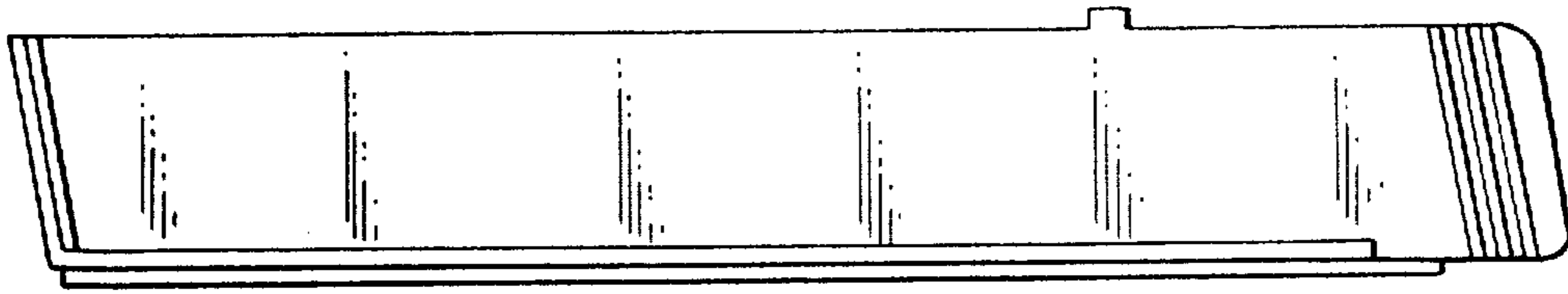


FIG. 7

FIG. 9

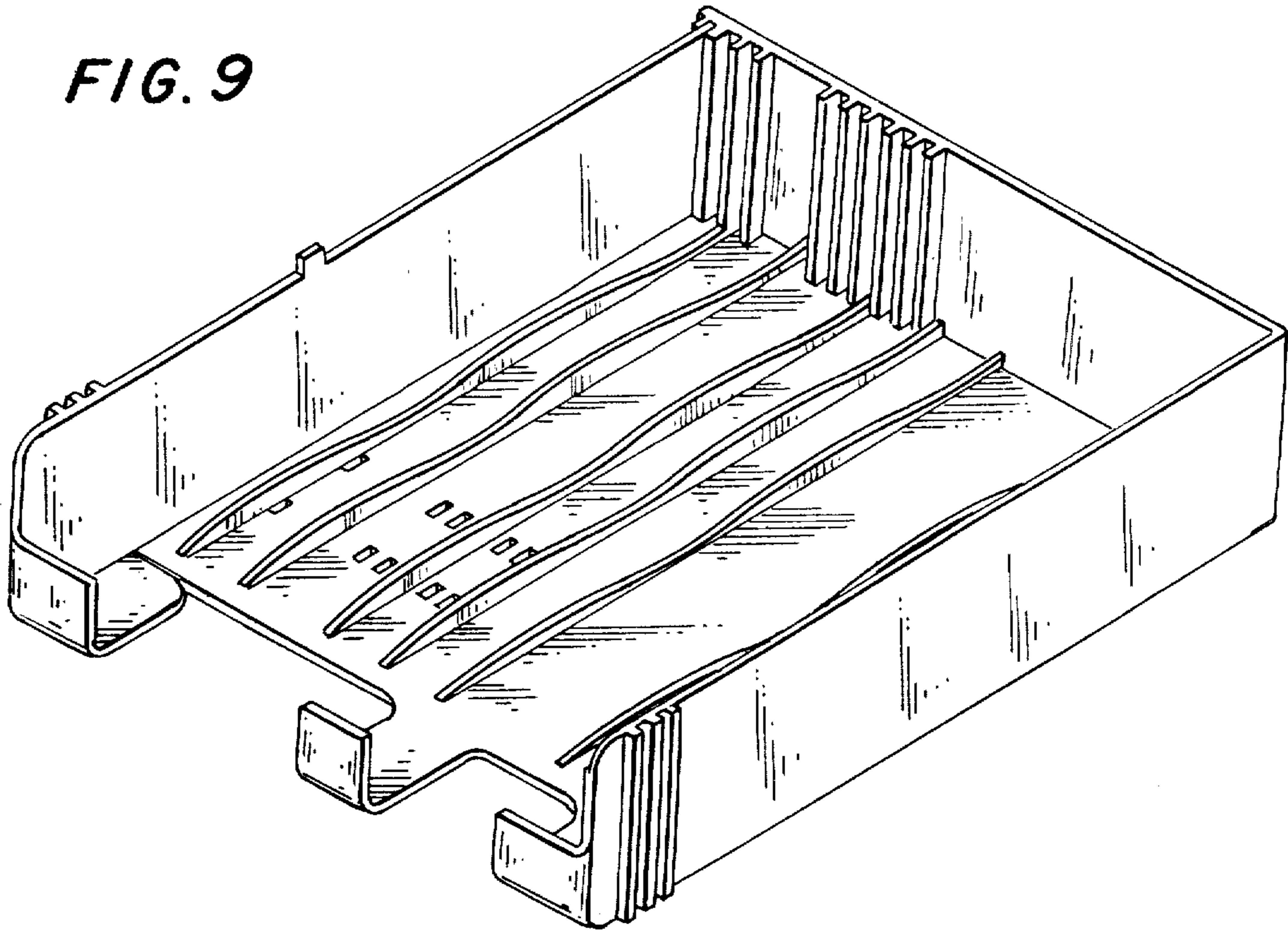


FIG. 8

