

[54] TABLE

[75] Inventors: Gregory D. Bergquist, Mountain Brook; John A. Jones, Trussville, both of Ala.

[73] Assignee: Simmons Universal Corporation, New York, N.Y.

[**] Term: 14 Years

[21] Appl. No.: 192,748

[22] Filed: Oct. 1, 1980

[51] Int. Cl. D6-03

[52] U.S. Cl. D6/175; D6/27; D6/177

[58] Field of Search D6/20, 27, 175, 177, D6/178, 179

[56] References Cited

U.S. PATENT DOCUMENTS

- D. 147,507 9/1947 Prem D6/146
- D. 203,602 2/1966 Dusman D6/161 X
- D. 258,478 3/1981 Zola D6/144

OTHER PUBLICATIONS

Willow & Reed Cat., p. 52, Table No. 211/48.

Primary Examiner—Bruce W. Dunkins

[57] CLAIM

The ornamental design for the table, as shown and described.

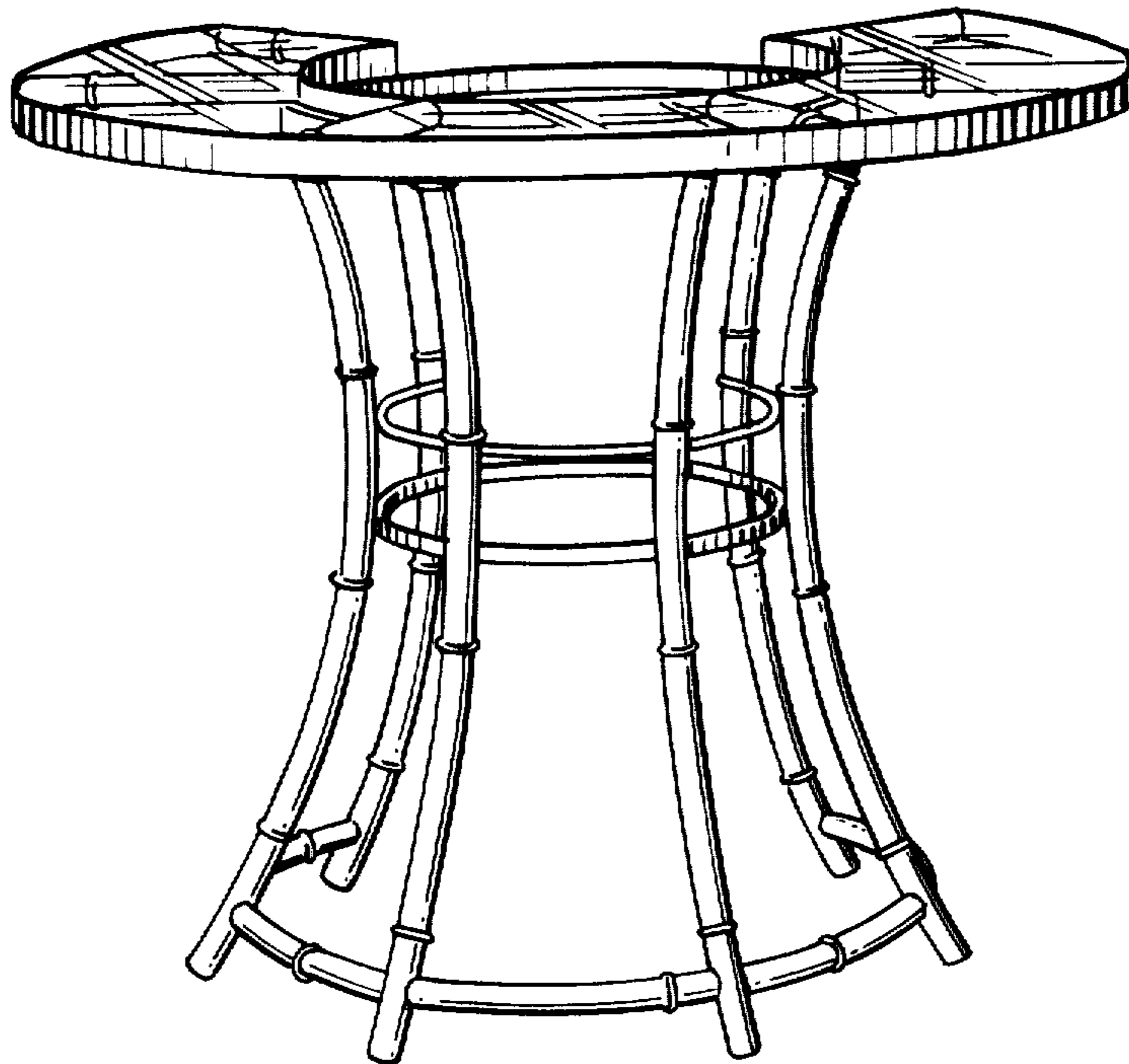
DESCRIPTION

FIG. 1 is a front perspective view of the table of the present invention;

FIG. 2 is a top view thereof;

FIG. 3 is a side view thereof; and

FIG. 4 is a side view thereof.



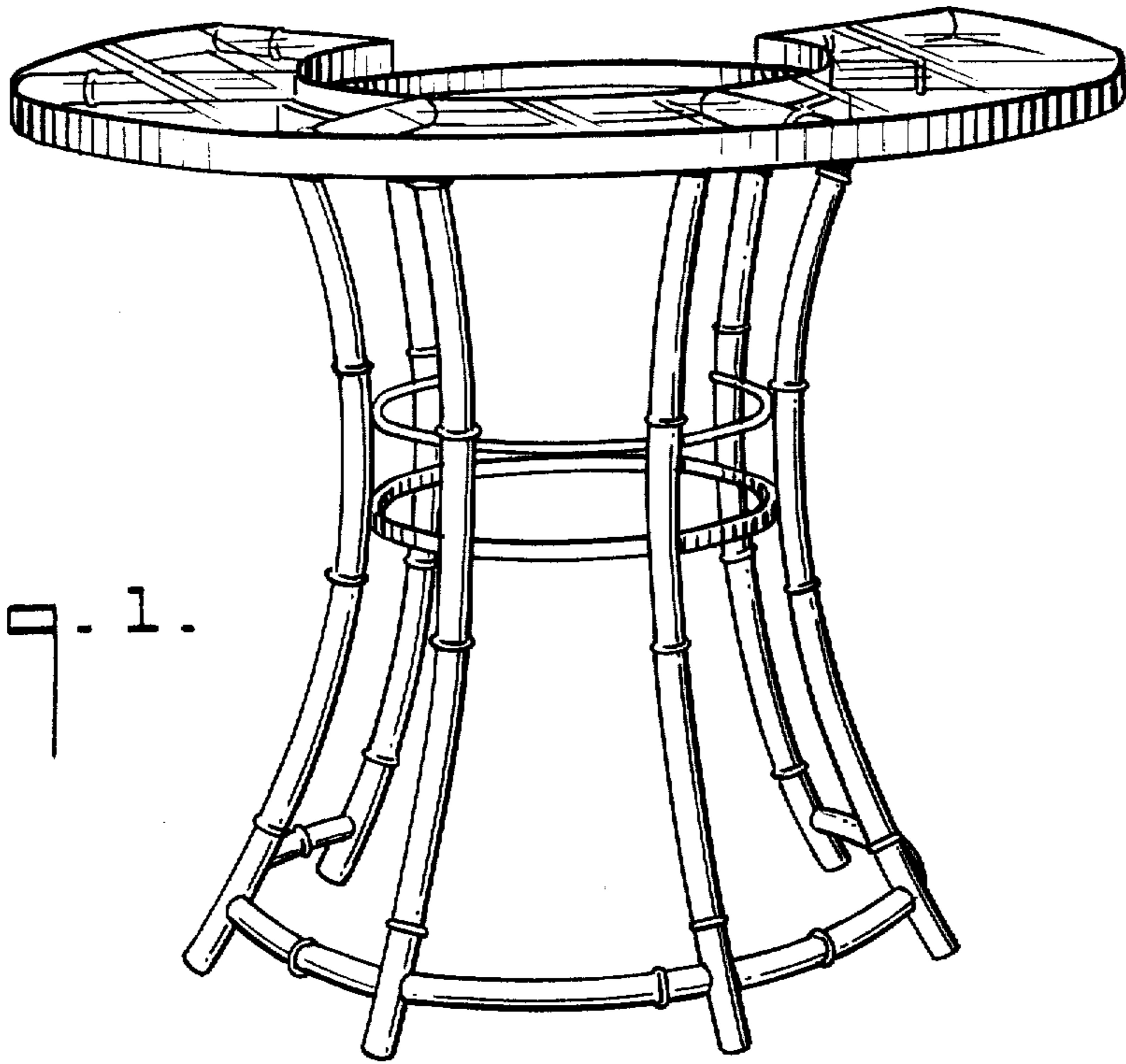


Fig. 1.

Fig. 4.

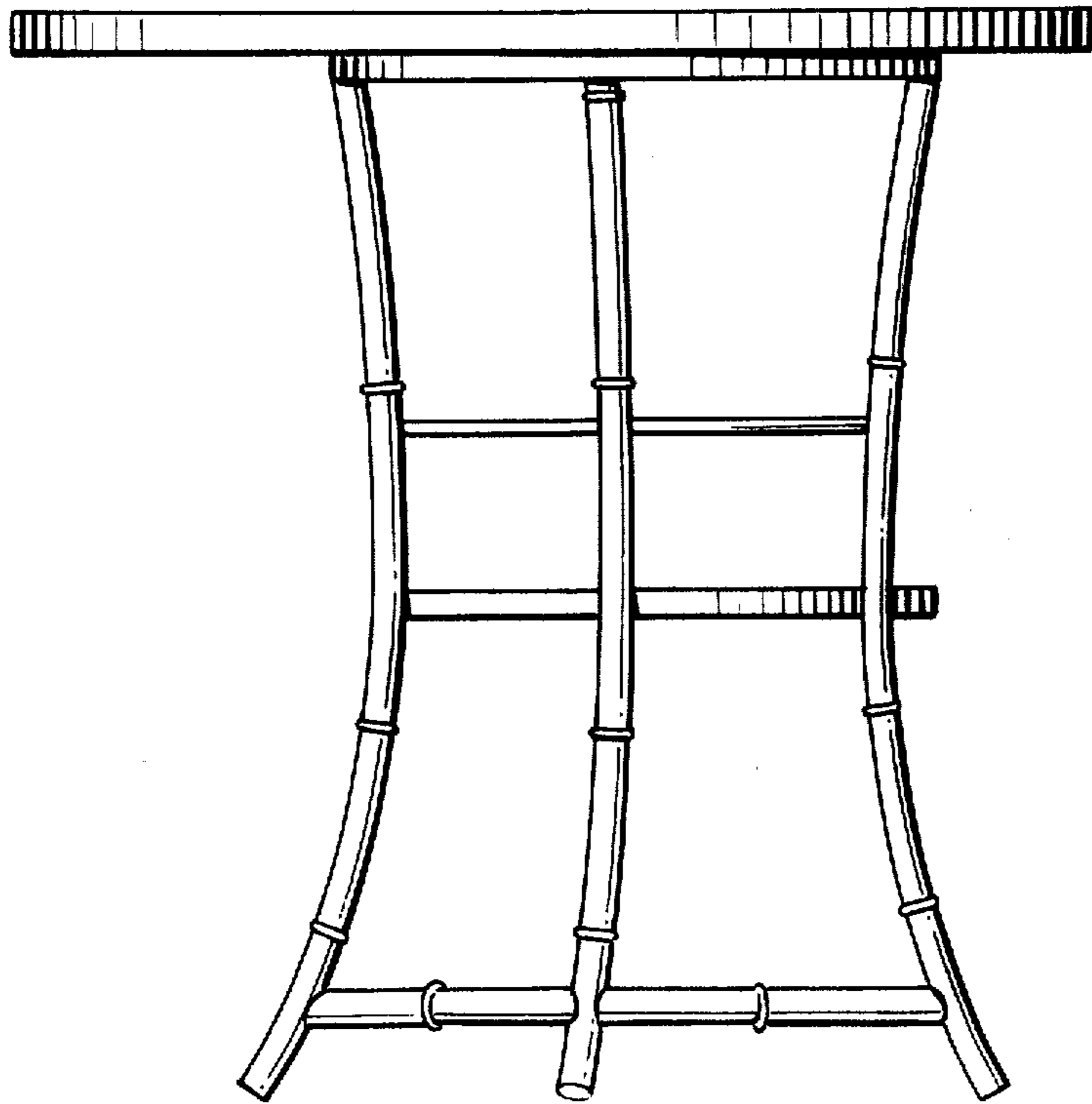


Fig. 2.

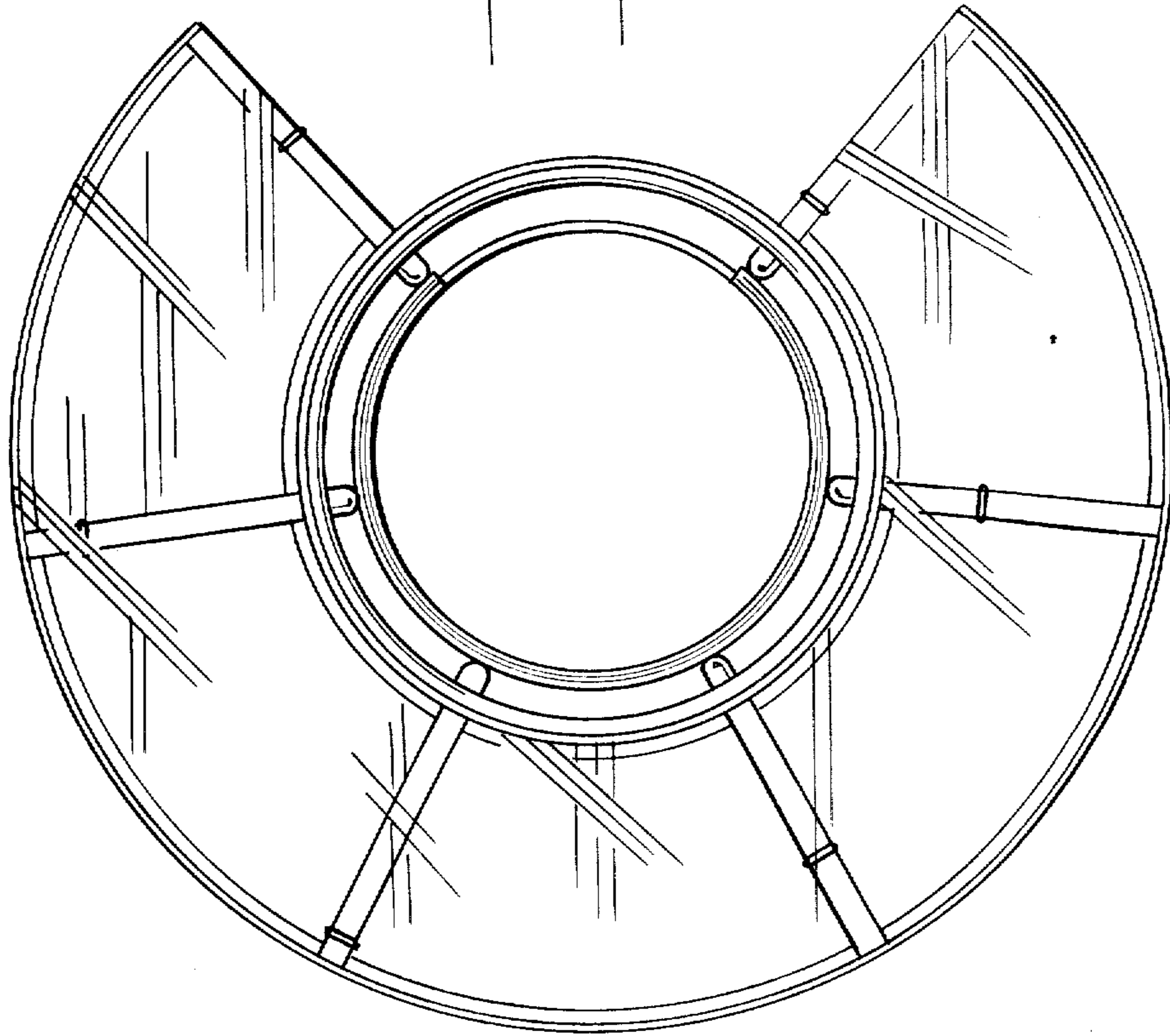


Fig. 3.

