

[54] **CHAIR**

[75] **Inventors:** **Dennis F. Leffler, Charlotte; Danny M. Truette, Pineville, both of N.C.**

[73] **Assignee:** **The Pelton & Crane Company, Charlotte, N.C.**

[**] **Term:** **14 Years**

[21] **Appl. No.:** **126,237**

[22] **Filed:** **Mar. 3, 1980**

[51] **Int. Cl.** **D6—01**
[52] **U.S. Cl.** **D6/30**
[58] **Field of Search** **D6/20, 26, 27, 30, 31, D6/32, 36, 47, 67, 72**

[56]

References Cited

U.S. PATENT DOCUMENTS

3,361,472 1/1968 Hasbrouck D6/31 X

OTHER PUBLICATIONS

Progressive Architecture, 9-1977, p. 117, chair at center by Herman Miller.

Primary Examiner—Bruce W. Dunkins
Attorney, Agent, or Firm—Isaac Jarkovsky; Richard H. Brink; Stuart E. Krieger

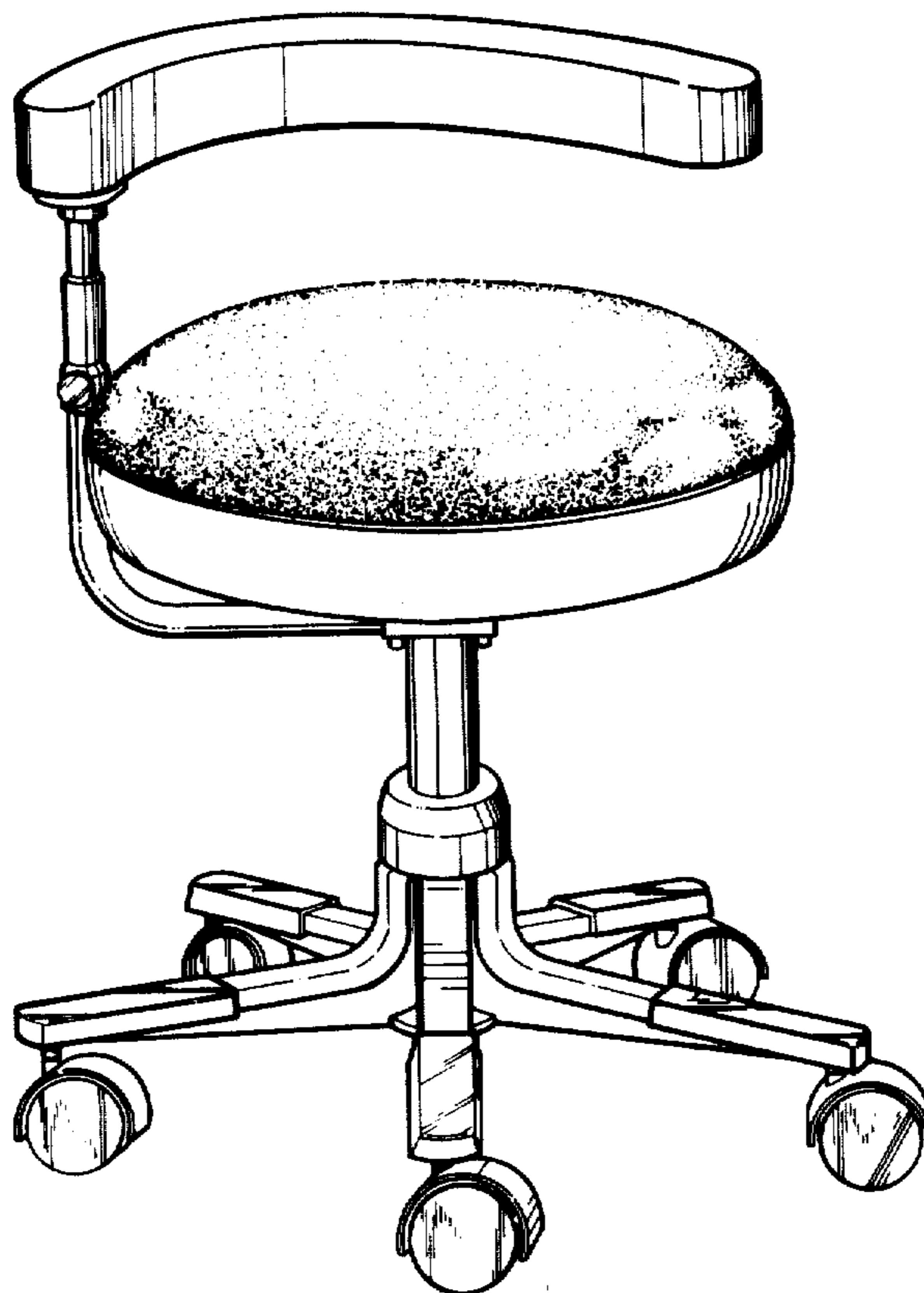
[57]

CLAIM

The ornamental design for a chair, as shown and described.

DESCRIPTION

FIG. 1 is a rear perspective view of a chair showing my design; and
FIG. 2 is a rear quarter perspective view thereof.



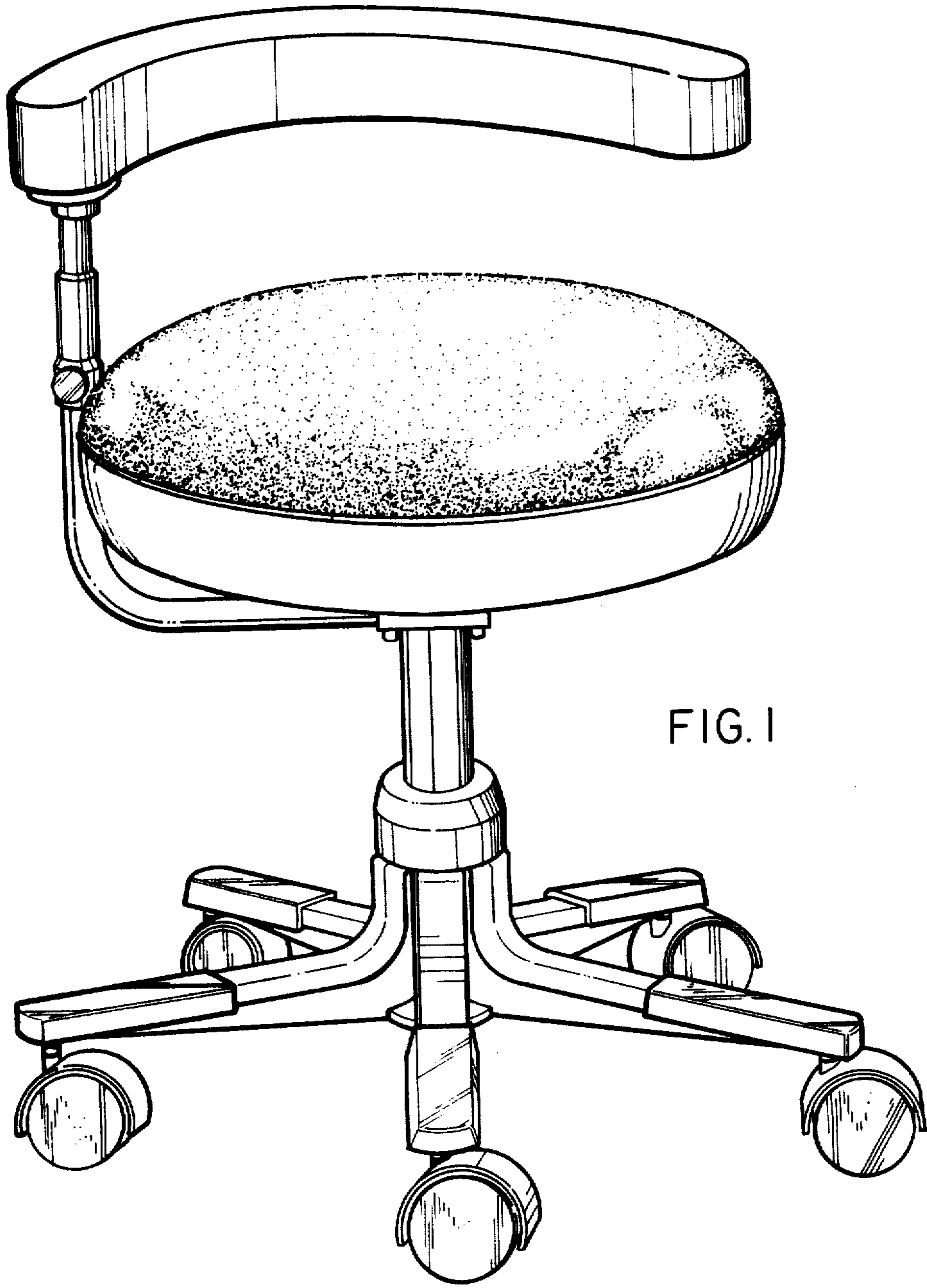


FIG. 1

