

[54] BACK SCRATCHER

[76] Inventor: James Toyama, 1980 Cedar Ave., Long Beach, Calif. 90806

[**] Term: 14 Years

[21] Appl. No.: 120,972

[22] Filed: Feb. 12, 1980

[51] Int. Cl. D28-99

[52] U.S. Cl. D28/99; D4/25

[58] Field of Search D28/7, 99, 8, 59, 63; D24/36, 41, 63; D4/20, 24, 25; 132/1 R, 88.7, 79 A, DIG. 3; 128/62 R, 260, 261; 401/118, 121-130

[56] References Cited

U.S. PATENT DOCUMENTS

- D. 160,415 10/1950 Moser D28/63
- D. 200,294 2/1965 Gainsley D28/59 X

2,217,439 10/1940 Fuller D4/25 X

FOREIGN PATENT DOCUMENTS

549168 11/1957 Canada D4/25

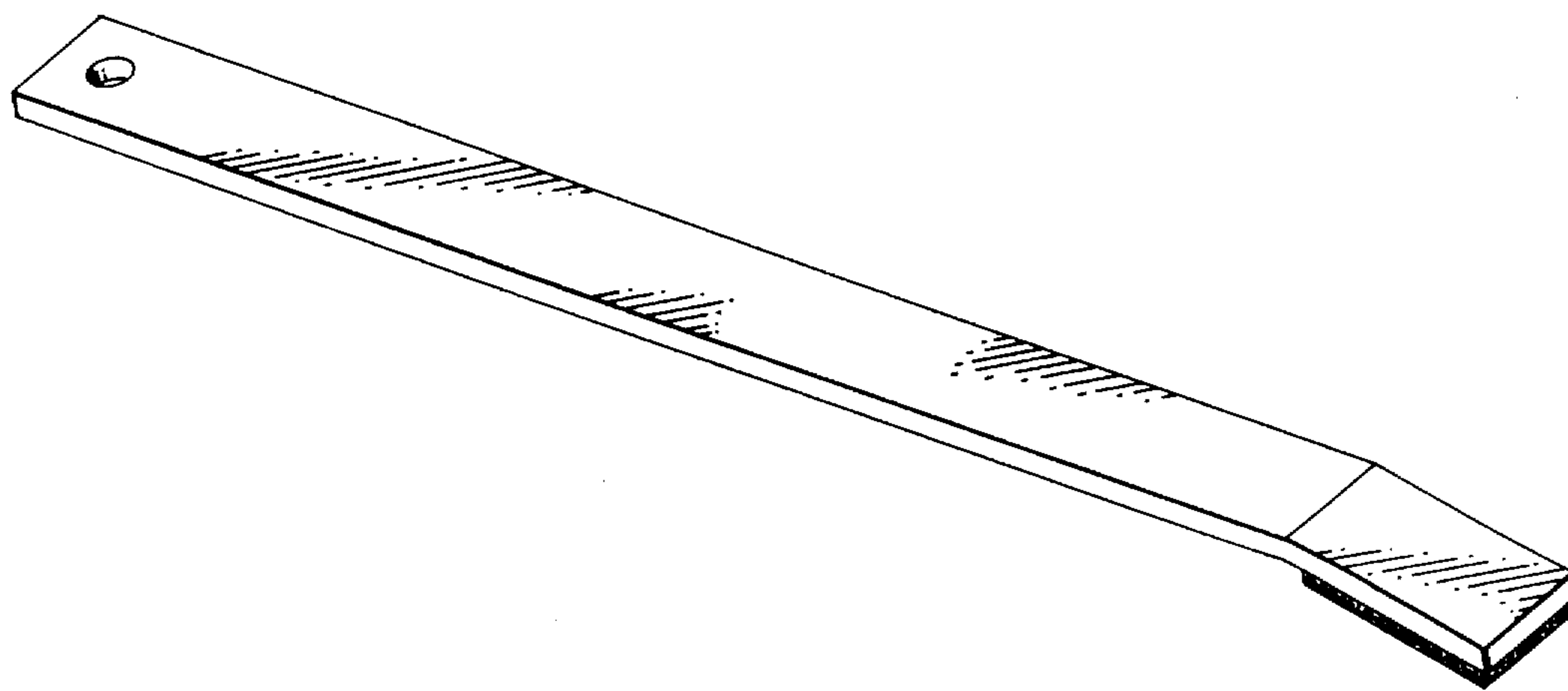
Primary Examiner—Louis S. Zarfes
Attorney, Agent, or Firm—Blair, Brown & Kreten

[57] CLAIM

The ornamental design for a back scratcher, substantially as shown and described.

DESCRIPTION

FIG. 1 is a perspective view of a back scratcher showing my new design;
 FIG. 2 is a top plan view thereof;
 FIG. 3 is a bottom plan view thereof;
 FIG. 4 is a left side elevational view thereof, the right side being a mirror image;
 FIG. 5 is a front view thereof; and
 FIG. 6 is a rear view thereof.



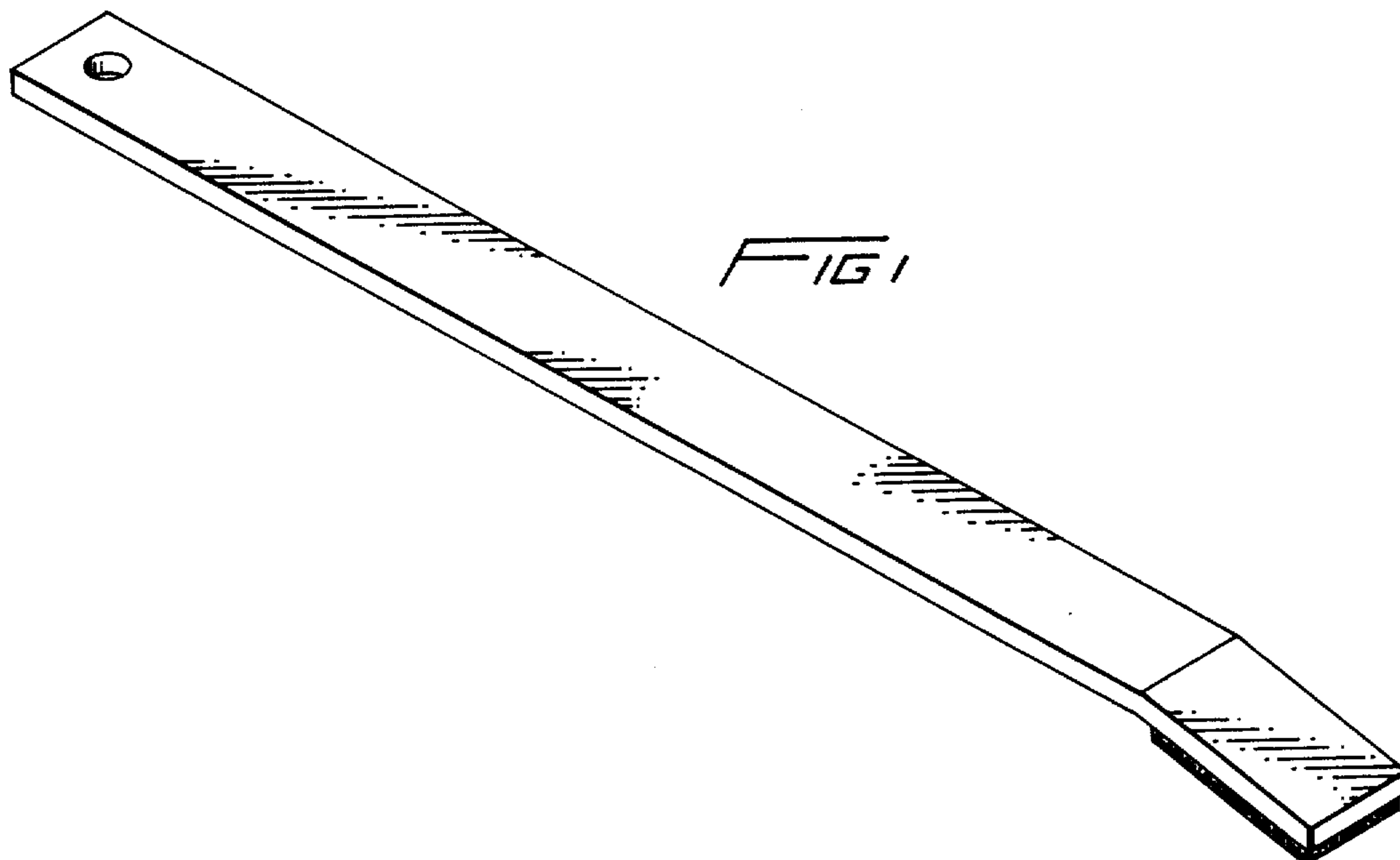


FIG 1

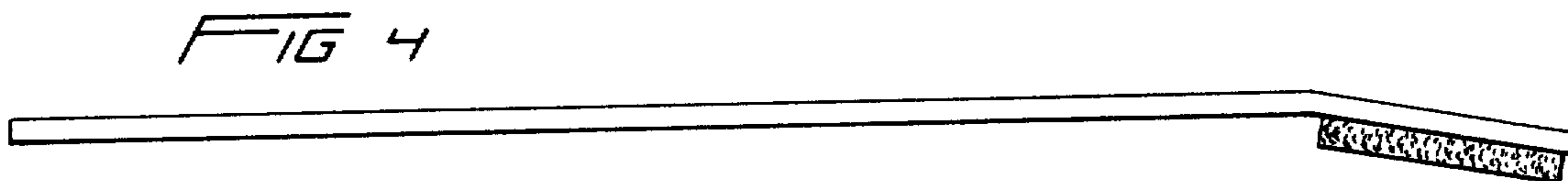


FIG 4

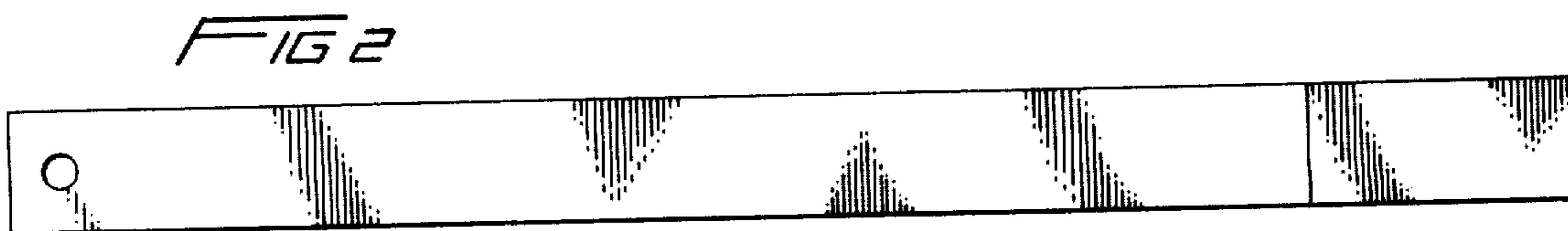


FIG 2

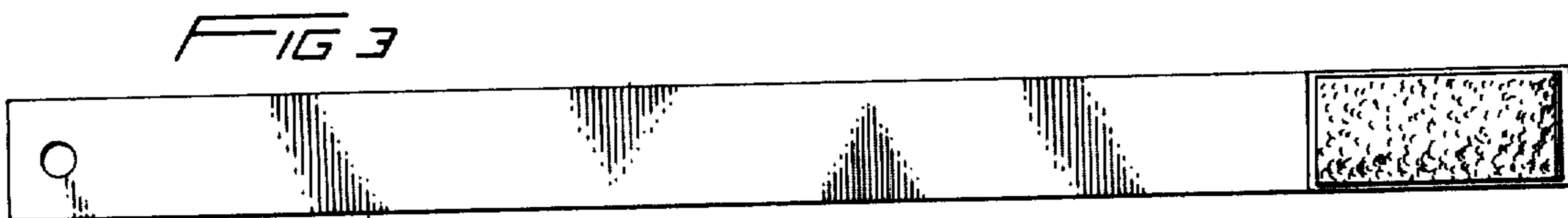


FIG 3

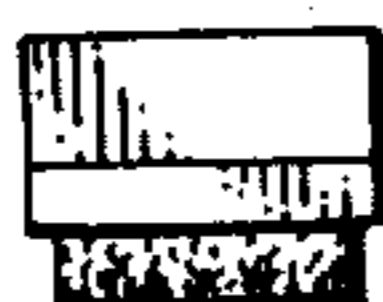


FIG 5



FIG 6