

[54] HAIR STYLING IMPLEMENT OR SIMILAR ARTICLE

[76] Inventor: Anthony L. Daddona, Jr., 1540 Scalp Ave., Johnstown, Cambria County, Pa. 15904

[\*\*] Term: 14 Years

[21] Appl. No.: 166,603

[22] Filed: Jul. 7, 1980

[51] Int. Cl. .... D28-03  
[52] U.S. Cl. .... D28/21  
[58] Field of Search ..... 132/11 R, 7, 150-163; D28/21-34, 10

References Cited

U.S. PATENT DOCUMENTS

D. 208,893 10/1967 Mauro ..... D28/25  
D. 224,847 9/1972 Thomas ..... D28/21

D. 245,544 8/1977 Pittman ..... D28/25  
2,591,835 4/1952 Lakeland ..... 132/126  
2,604,101 7/1952 Helfgott ..... 132/160 X  
3,148,686 9/1964 Cournoyer ..... D28/21 X  
3,234,952 2/1966 Endter et al. .... 132/157 X  
3,292,641 12/1966 Quintanar ..... D28/21 X

Primary Examiner—Robert C. Spangler  
Attorney, Agent, or Firm—Jon M. Lewis

[57] CLAIM

The ornamental design for a hair styling implement or similar article, as shown.

DESCRIPTION

FIG. 1 is a perspective view of a hair styling implement or similar article, showing my new design;  
FIG. 2 is a side elevational view on an enlarged scale;  
FIG. 3 is a top plan view;  
FIG. 4 is a bottom plan view;  
FIG. 5 is a front elevational view; and  
FIG. 6 is a rear elevational view thereof.

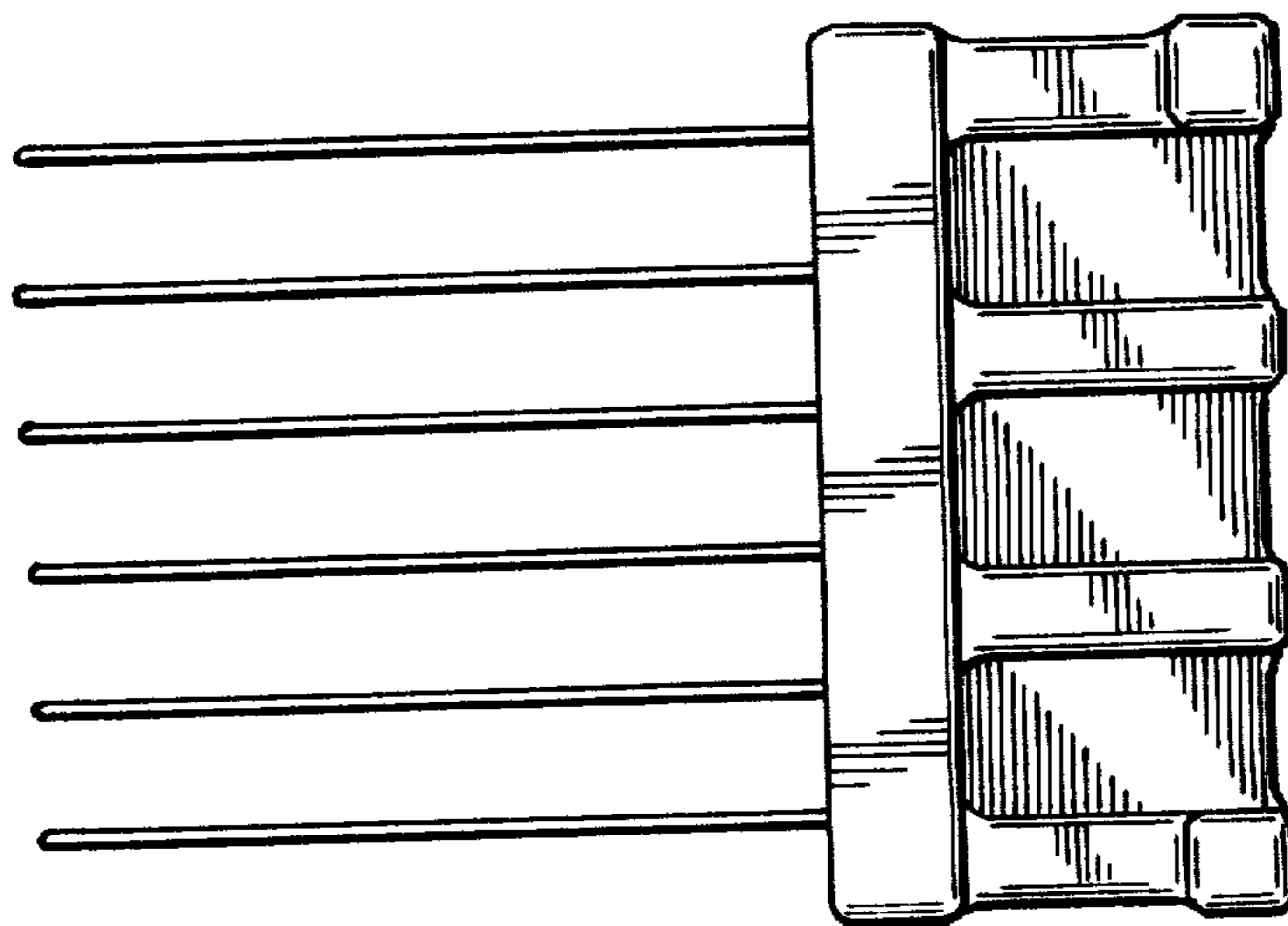


FIG-1

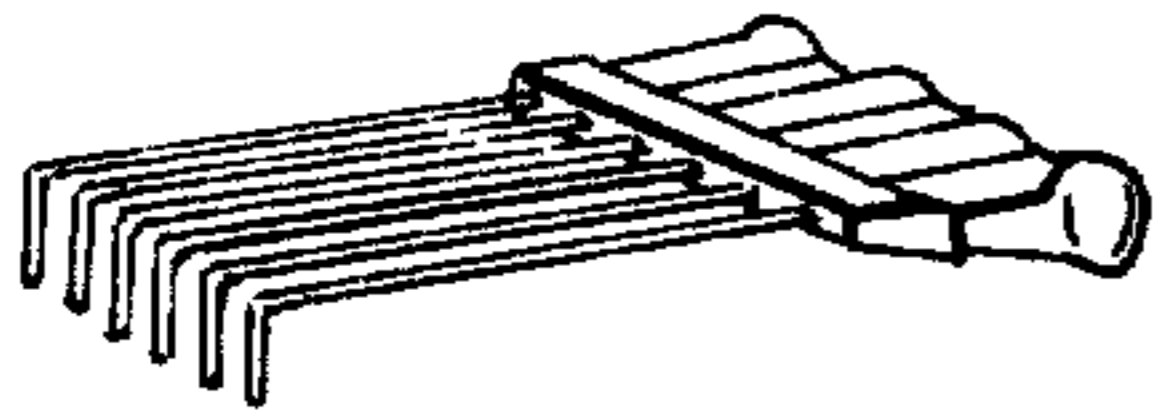


FIG-2

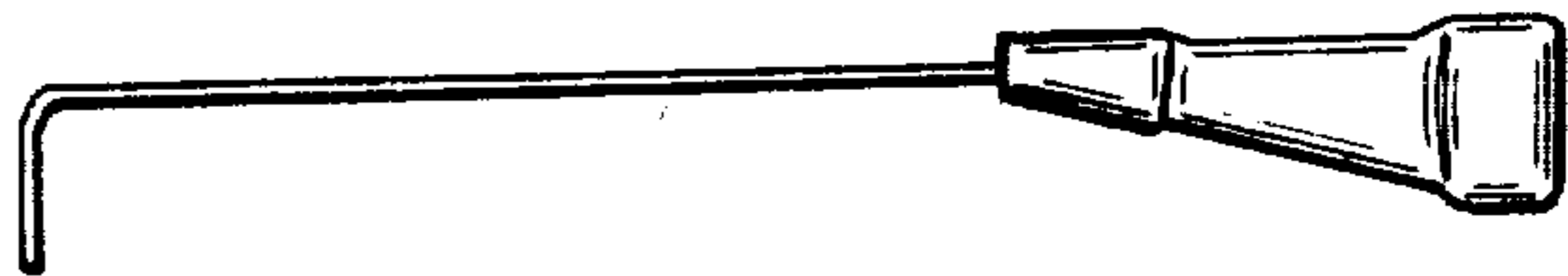


FIG-3

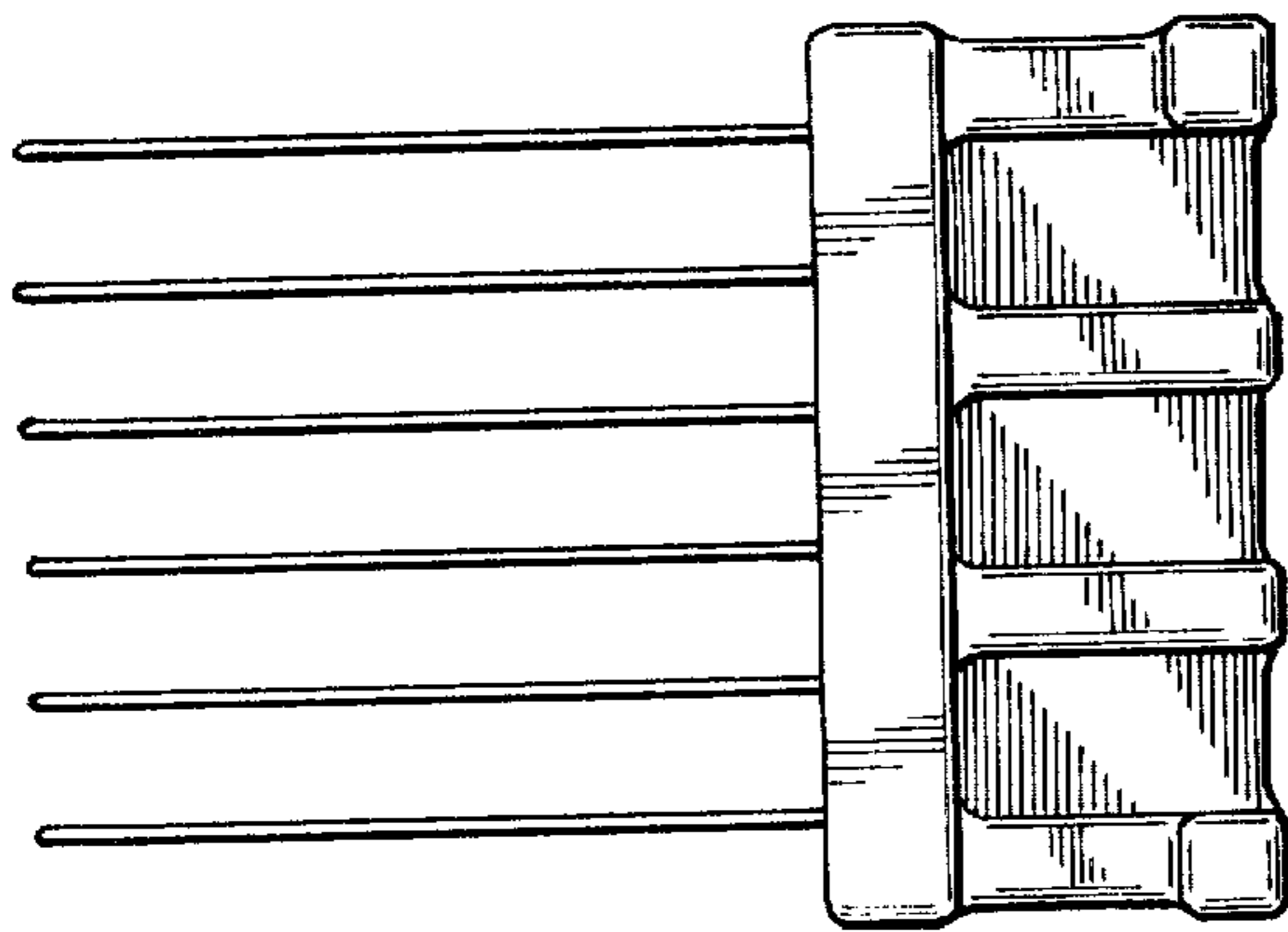


FIG-4

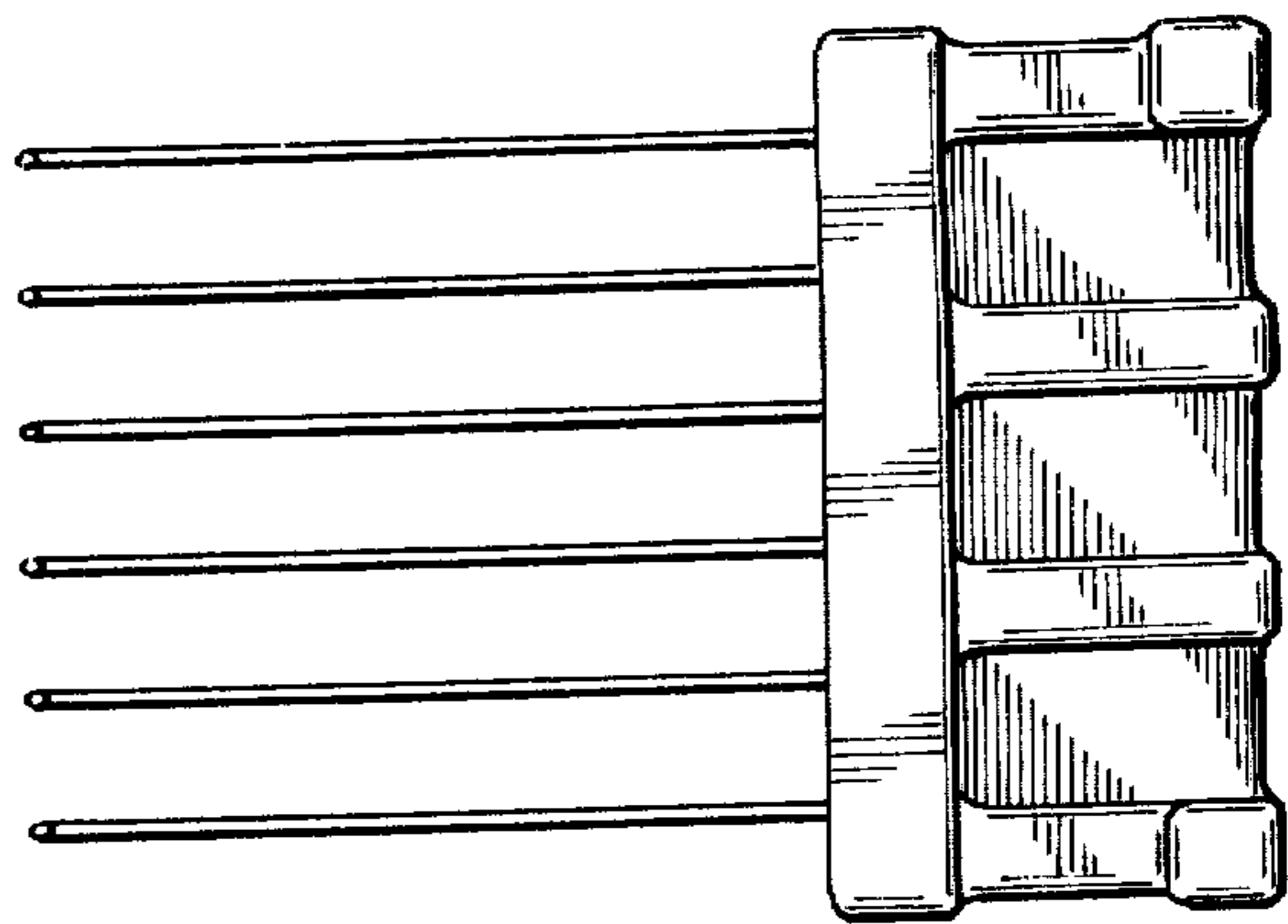


FIG-5

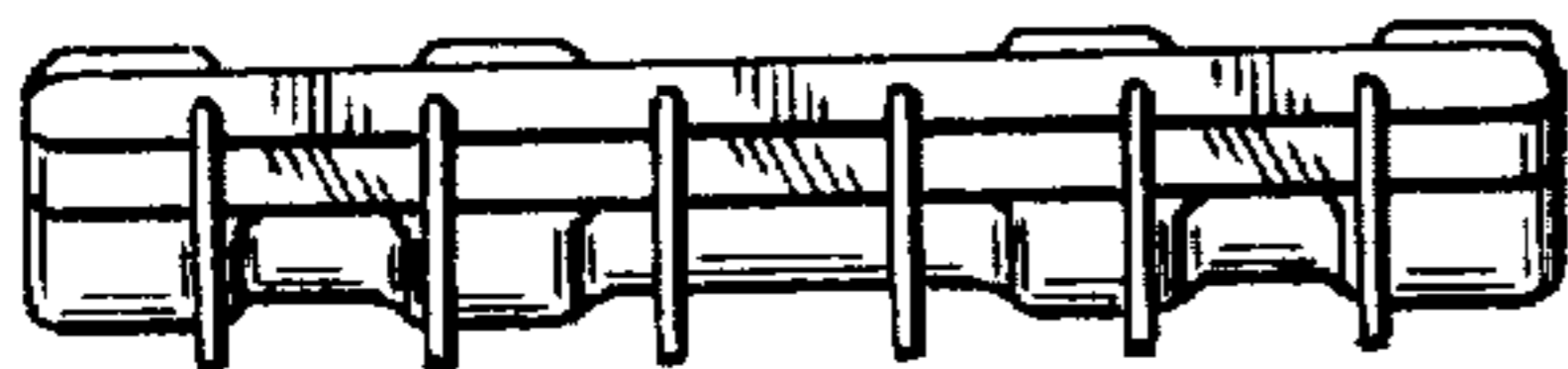


FIG-6

