

[54] ELECTROLIER

[76] Inventor: Gregory P. Tobias, 8937 S. Dalton Ave., Los Angeles, Calif. 90047

[**] Term: 14 Years

[21] Appl. No.: 157,142

[22] Filed: Jun. 6, 1980

[51] Int. Cl. D26-05

[52] U.S. Cl. D26/111

[58] Field of Search D26/72, 80-93, D26/102-112; 362/404, 408, 432, 311, 227, 235, 410, 412, 414, 806

[56] References Cited

U.S. PATENT DOCUMENTS

D. 186,546	11/1959	Aakervik	D26/105 X
D. 219,060	10/1970	Bennington	D26/111
D. 226,533	3/1973	Porter	D26/102
D. 245,367	8/1977	Franck	D26/111

OTHER PUBLICATIONS

Lamp Journal, 11-1964, p. 17, Lampshade #500.

Primary Examiner—Susan J. Lucas
Attorney, Agent, or Firm—William W. Glenny

[57] CLAIM

The ornamental design for an electrolier, substantially as shown and described.

DESCRIPTION

FIG. 1 is a top view of an electrolier, showing my new design;

FIG. 2 is a front view thereof looking in the direction of arrow 2 of FIG. 1;

FIG. 3 is a bottom view thereof; and

FIG. 4 is an angular side view thereof looking in the direction of arrow 4 of FIG. 1.

The appearance of the electrolier is identical as seen from viewpoints angularly spaced at 120° about the central vertical axis.

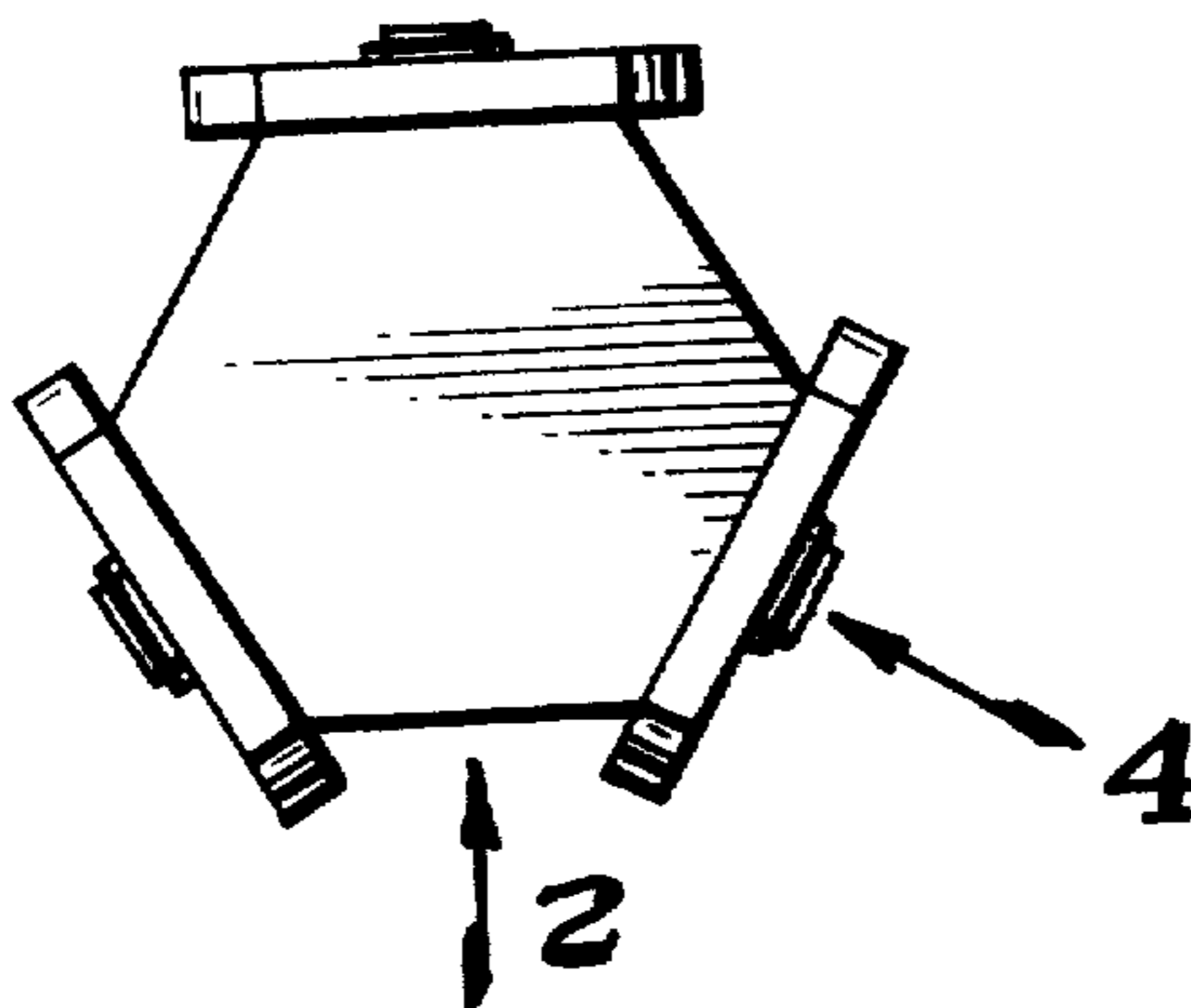


Fig. 1.

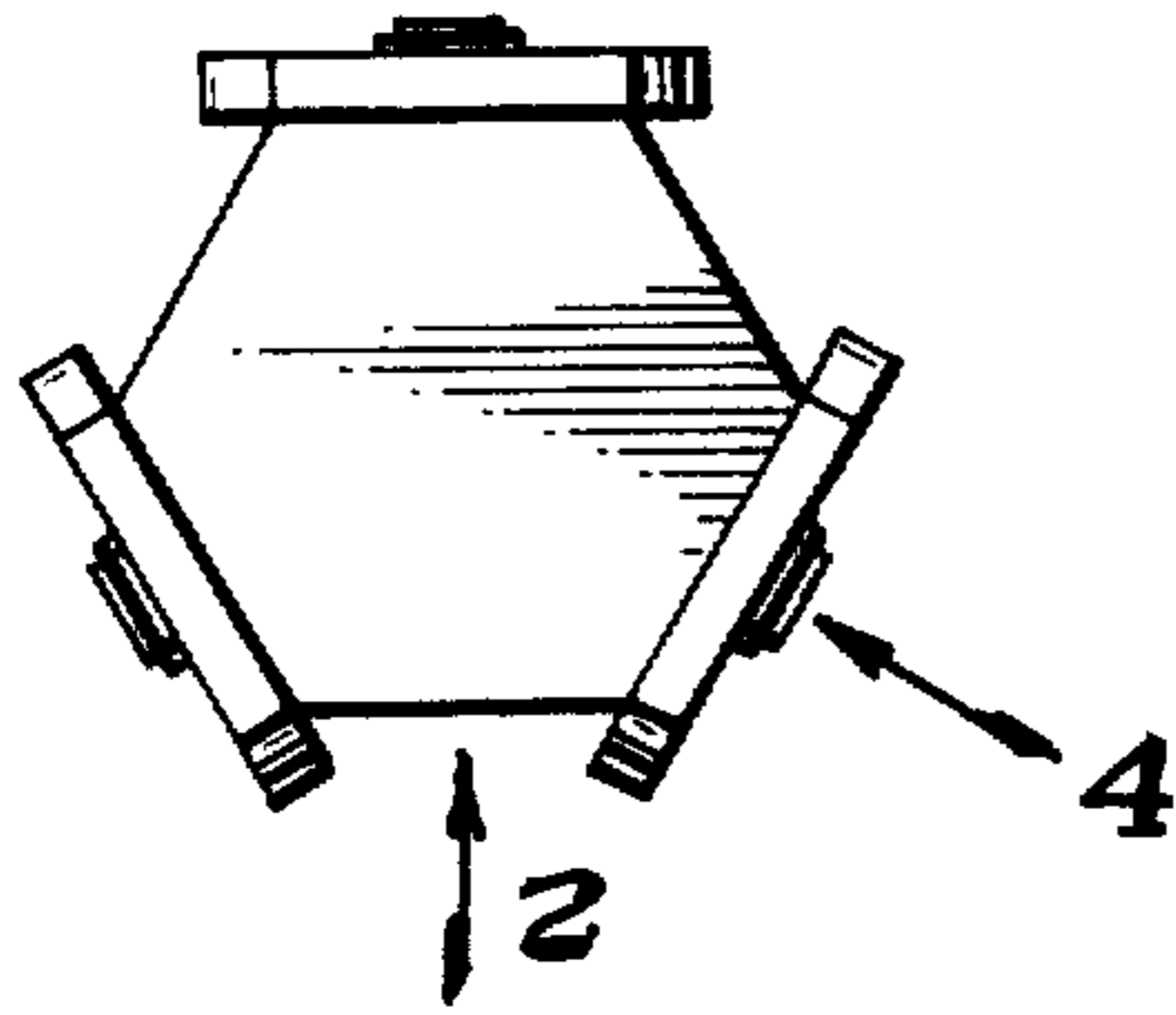


Fig. 3.

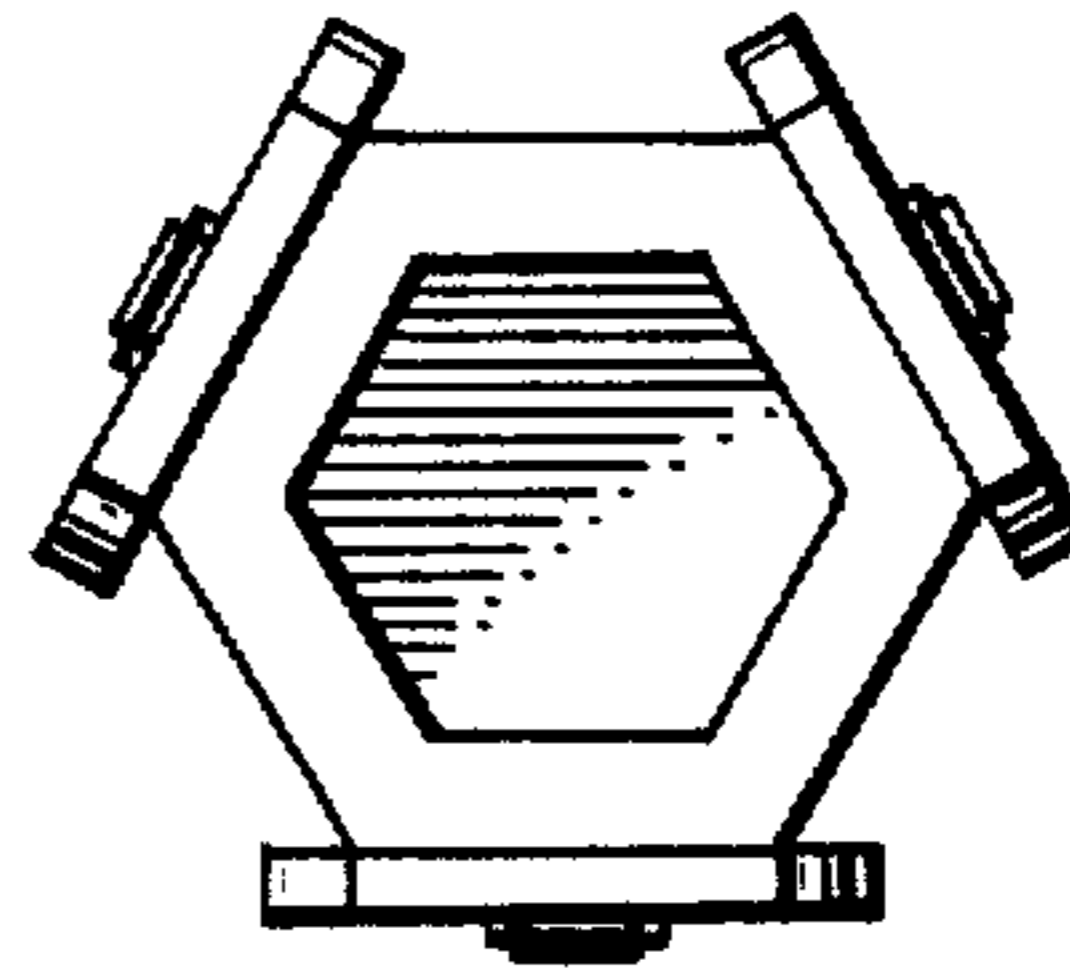


Fig. 2.

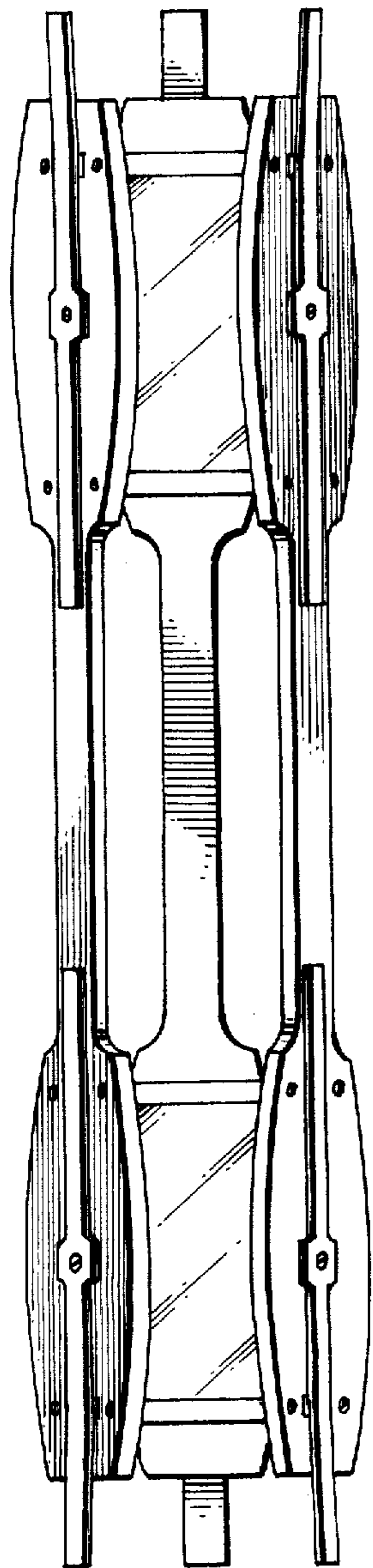


Fig. 4.

