

[54] FRAME MEMBER FOR WINDOWS OR THE LIKE

[75] Inventor: Dietrich F. Schmidt, Camp Hill, Pa.

[73] Assignee: Capitol Products Corporation, Mechanicsburg, Pa.

[**] Term: 14 Years

[21] Appl. No.: 186,726

[22] Filed: Sep. 11, 1980

[51] Int. Cl. D25-01

[52] U.S. Cl. D25/74

[58] Field of Search D25/48, 52, 73-76; 52/731, 735, 202; 49/63, 75

[56] References Cited

U.S. PATENT DOCUMENTS

- D. 251,134 2/1979 Bancroft et al. D25/74
- D. 251,447 3/1979 Bancroft et al. D25/74
- D. 251,448 3/1979 Bancroft et al. D25/74
- 4,048,774 9/1977 Yamamoto D25/74 X

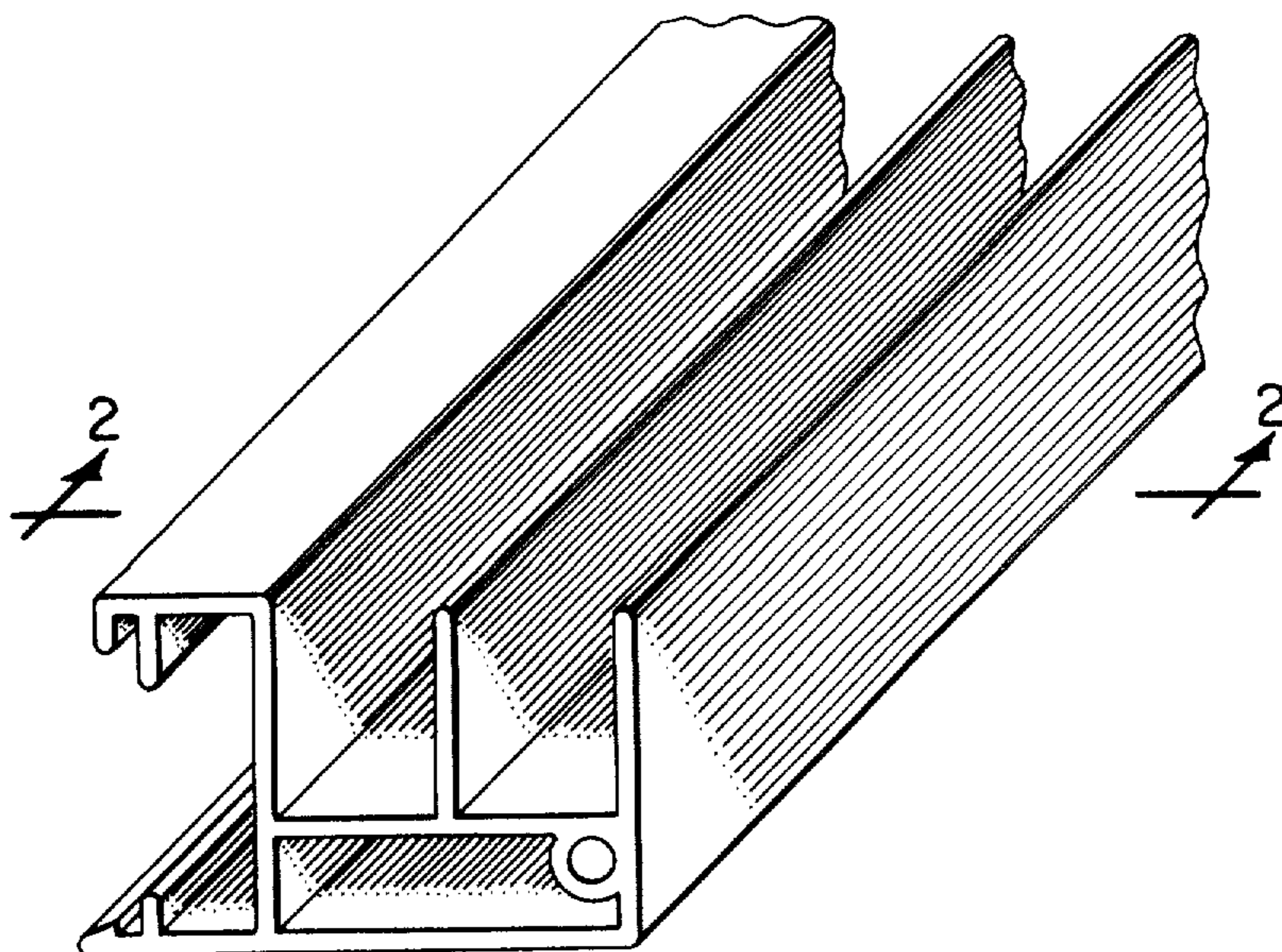
Primary Examiner—A. Hugo Word
Attorney, Agent, or Firm—Donald L. Johnson; John F. Sieberth; Paul H. Leonard

[57] CLAIM

The ornamental design for a frame member for windows or the like, substantially as shown and described.

DESCRIPTION

FIG. 1 is a perspective view of a frame member for windows or the like embodying my new design, shown fragmentarily to indicate indeterminate length. FIG. 2 is a sectional view thereof, taken along line 2—2 of FIG. 1.



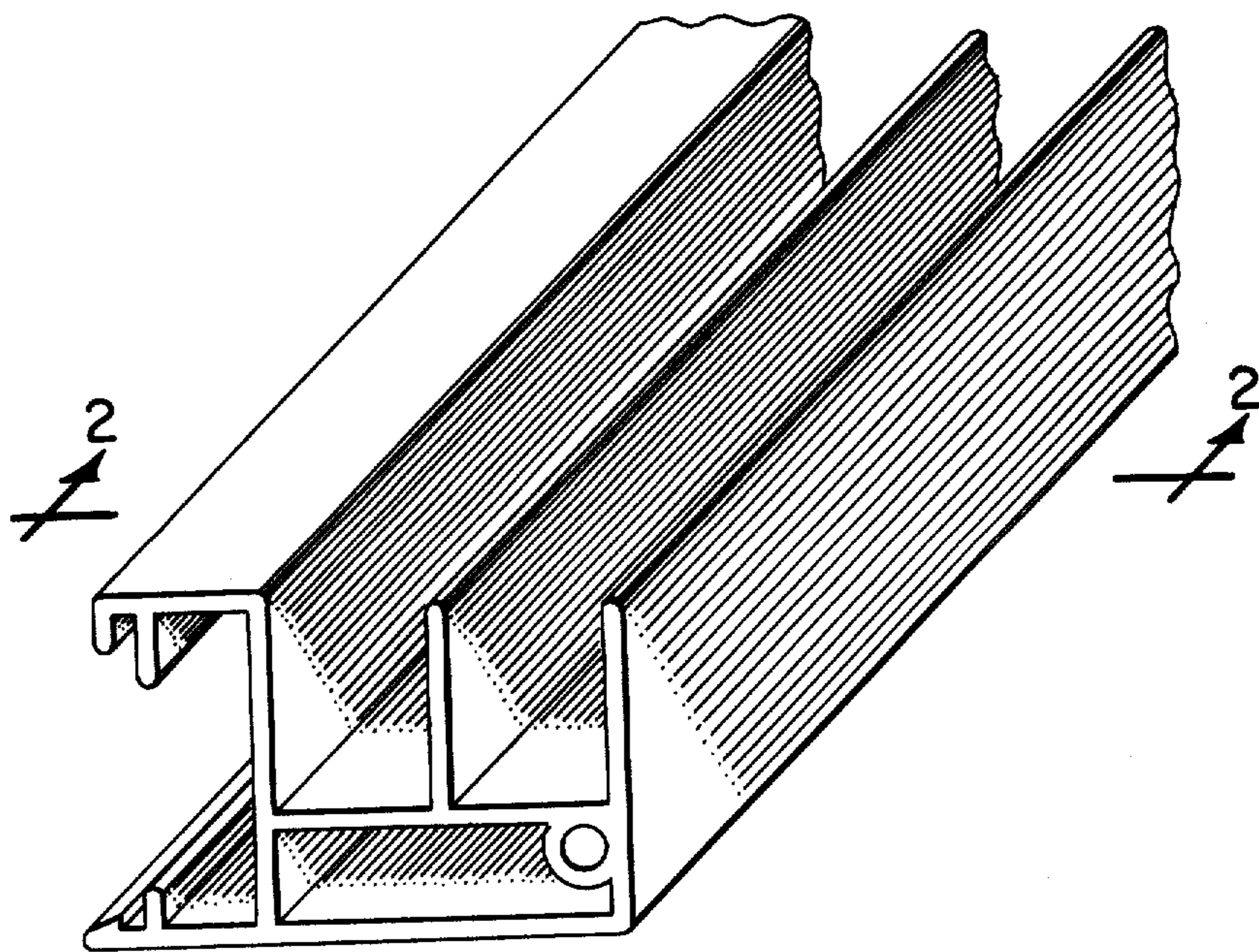


FIG. 1.

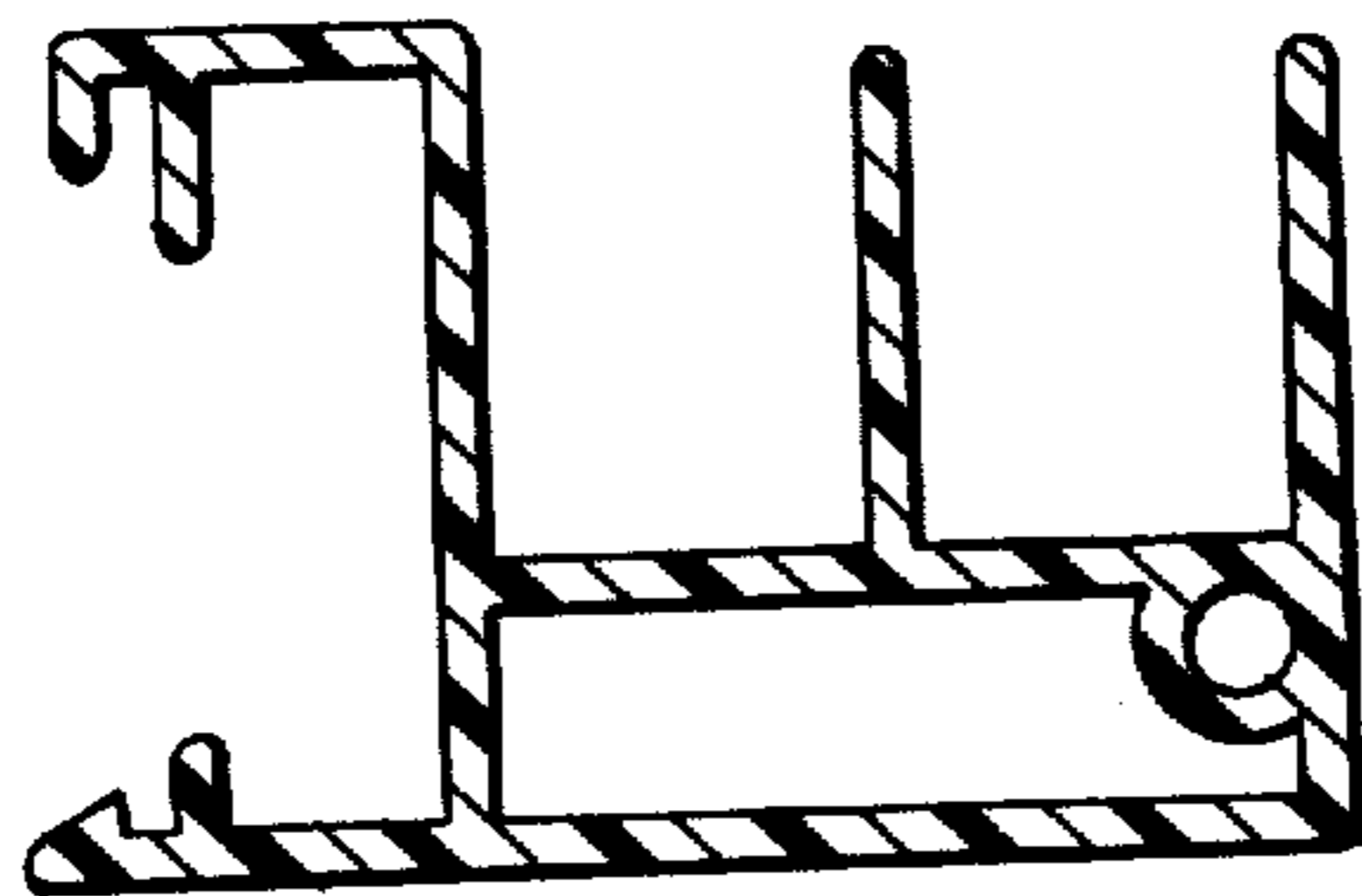


FIG. 2.