

[54] SAWBUCK

[76] Inventor: Gale A. Arns, 403 E. 6th St.,  
Newberg, Oreg. 97132

[\*\*] Term: 14 Years

[21] Appl. No.: 180,648

[22] Filed: Aug. 25, 1980

[51] Int. Cl. .... D25-99

[52] U.S. Cl. .... D25/67; D8/71

[58] Field of Search ..... 269/98, 901, 902, 269,  
269/298, 130; 182/153; 248/168; D8/71;  
D25/67

[56] References Cited

U.S. PATENT DOCUMENTS

1,784,264	12/1930	Young	.....	248/168
1,812,967	7/1931	Long	.....	248/168
2,652,079	9/1953	Worthen	.....	269/296

2,989,142	6/1961	Gill	.....	269/296 X
3,379,431	4/1968	Gill	.....	269/130
3,433,277	3/1969	Ribley	.....	269/296 X
3,734,235	5/1973	Lanier	.....	269/296 X
4,121,814	10/1978	Prior	.....	269/98

Primary Examiner—A. Hugo Word

[57] CLAIM

The ornamental design for a sawbuck, substantially as shown and described.

DESCRIPTION

FIG. 1 is a perspective view of a sawbuck showing my new design including a log in phantom lines.

FIG. 2 is a perspective view of the opposite end, omitting the log.

FIG. 3 is a different perspective view of the end shown in FIG. 1, including the log in phantom lines.

The log in phantom lines has been shown for illustrative purposes only.

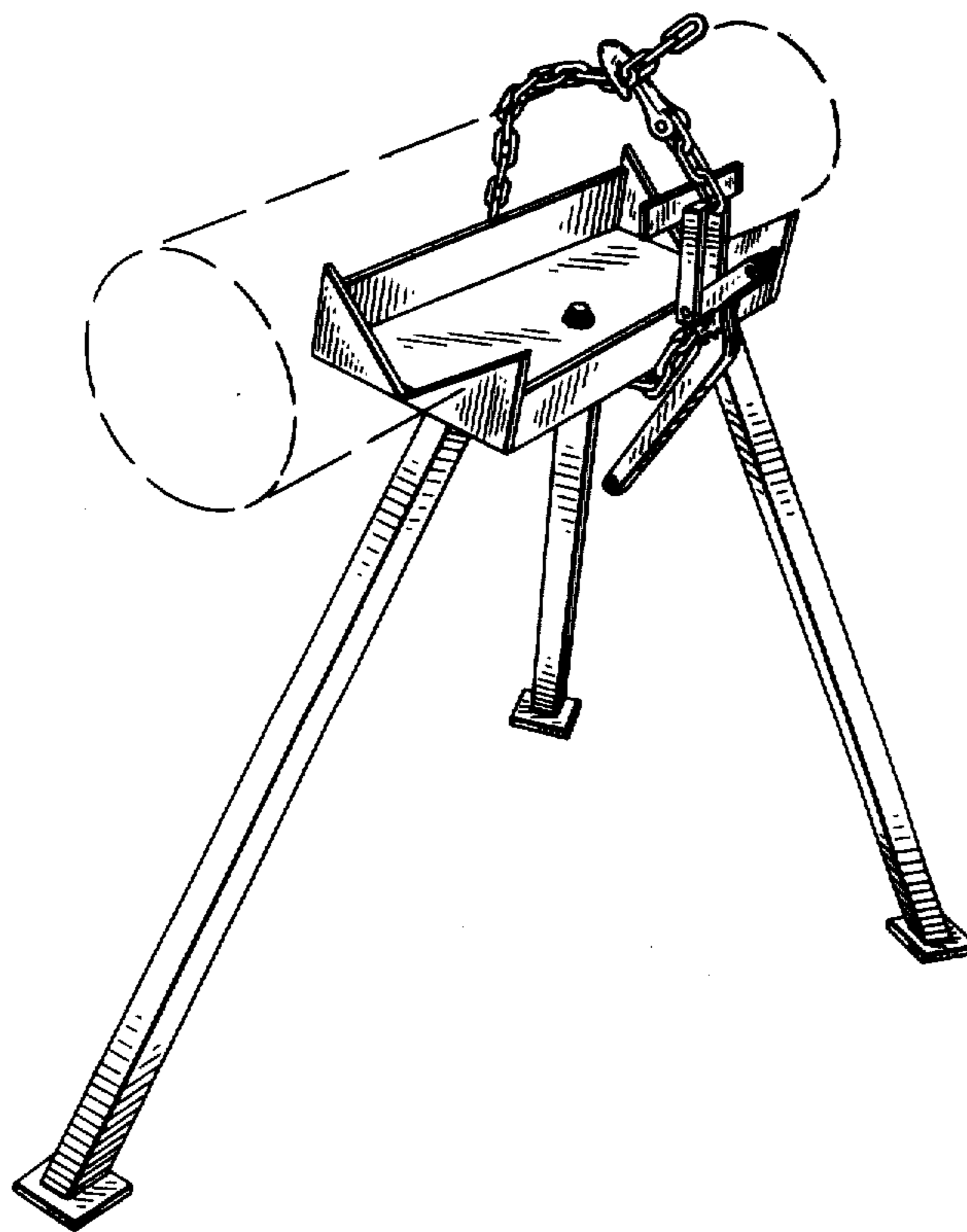


FIG. 1

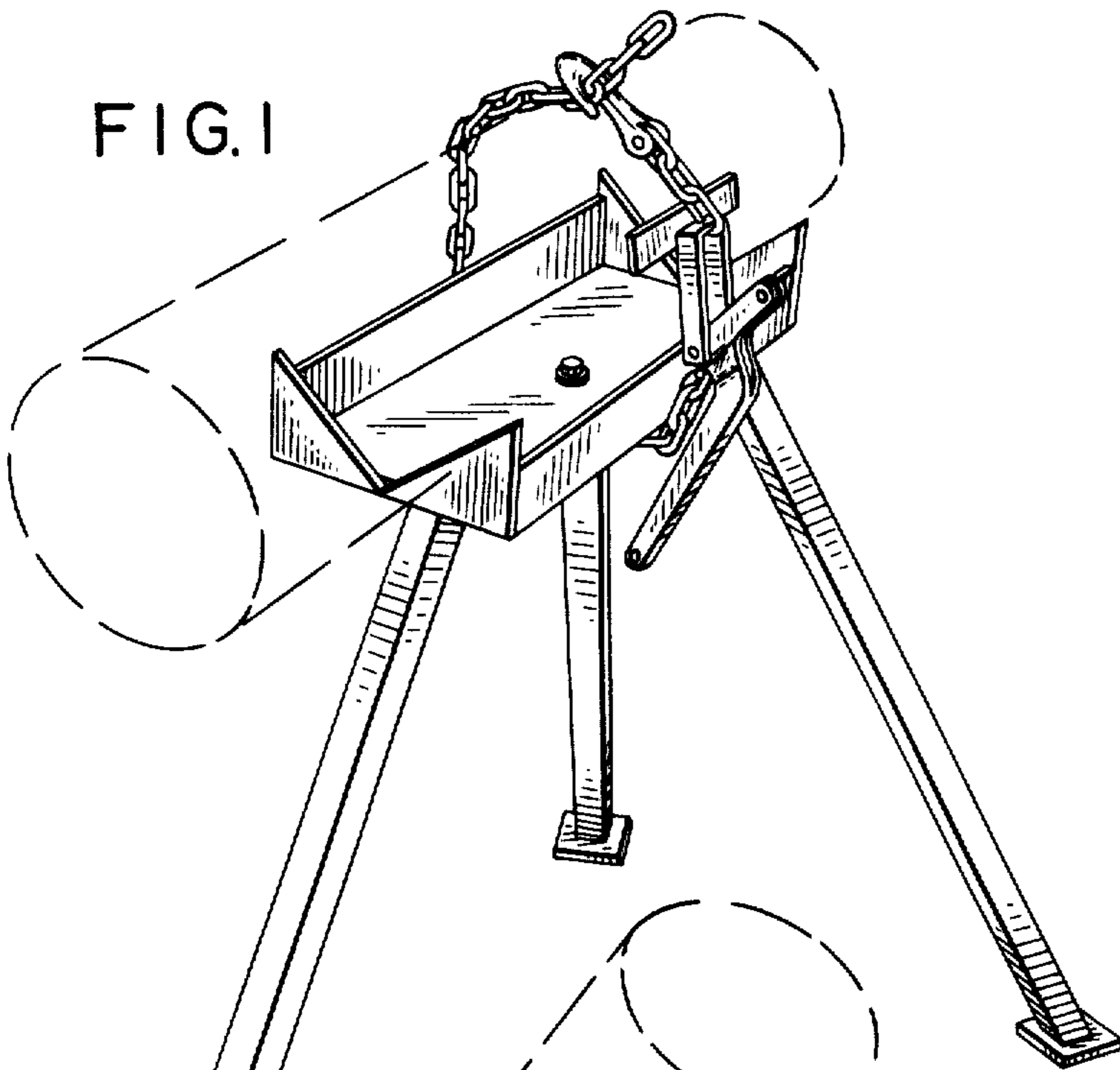


FIG. 2

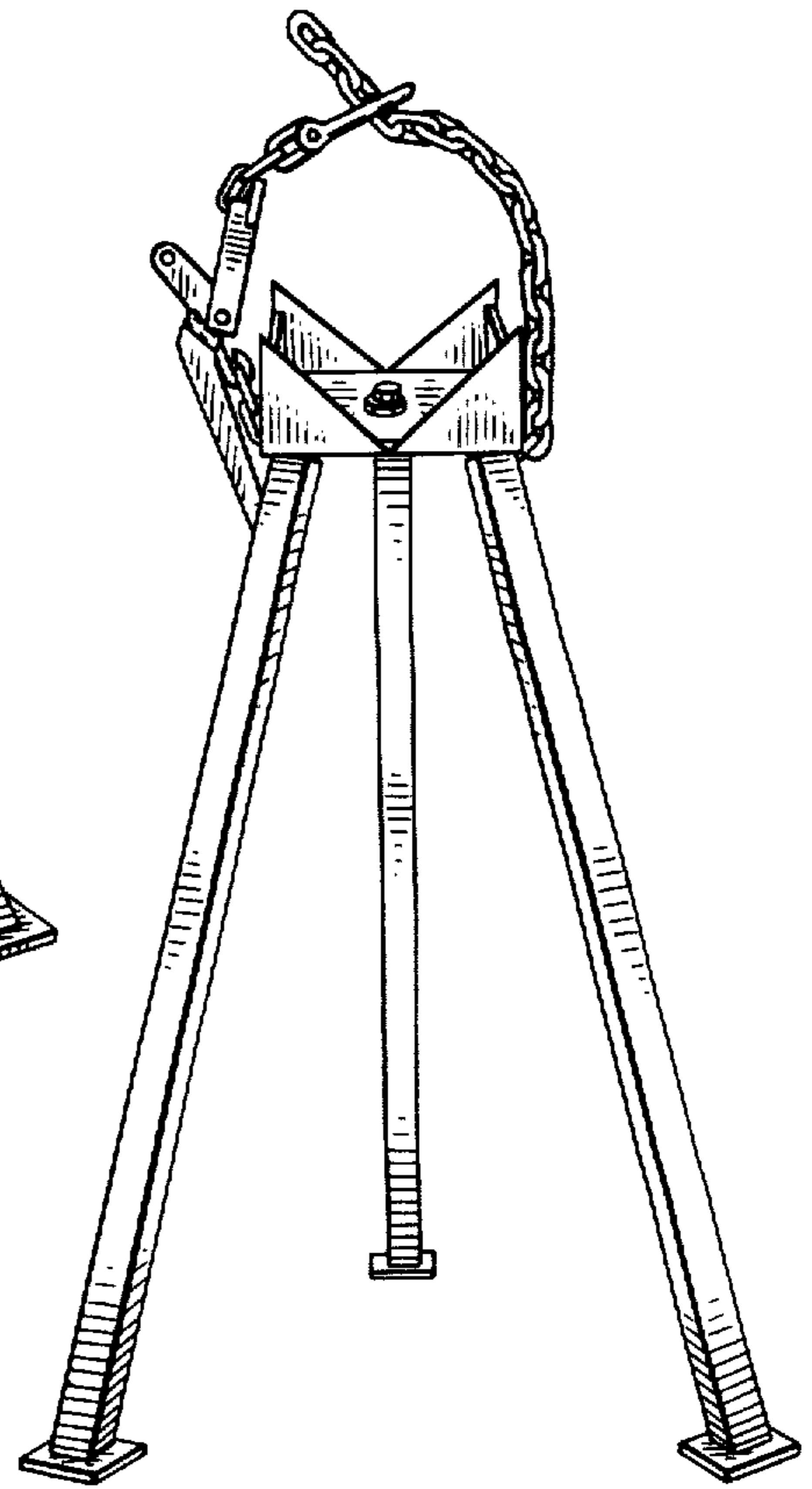


FIG. 3

