

[54] PHOTOCOPYING MACHINE

[75] Inventors: Shuzo Horikoshi, Kawanishi; Yoshihiko Sugiyama, Nara; Ken Kawamura, Ibaragi; Yoshihiko Kawakami, Takatsuki; Teruo Kuriyagawa, Osaka; Makoto Matsumura, Hirakata; Shoichi Kobayashi, Osaka; Keiko Akai, Shijonawate, all of Japan

[73] Assignee: Matsushita Electric Industrial Co., Ltd., Osaka, Japan

[**] Term: 14 Years

[21] Appl. No.: 109,616

[22] Filed: Jan. 4, 1980

[30] Foreign Application Priority Data

Jul. 13, 1979 [JP] Japan 54-29355

[51] Int. Cl. D16-03

[52] U.S. Cl. D16/31

[58] Field of Search D16/27-32; 355/3 R, 8, 9, 11, 12

[56] References Cited

U.S. PATENT DOCUMENTS

D. 225,777	1/1973	Kakii	D16/31
D. 231,129	4/1974	Case et al.	D16/31
D. 251,594	4/1979	Hara et al.	D16/31
D. 260,902	9/1981	Kurozumi	D16/27

OTHER PUBLICATIONS

Copyer Kabushiki Kaisha (Japanese Corp.) Selex 900, Selex 500, Copy Fax KIC-50B, Copy Fax KIC-60B, Copy Fax KIC-80B, Copy Fax KIC-70W, Copy Fax KIC-70RW, Printed Sep. 8, 1976.

Copyer Kabushiki Kaisha (Japanese Corp.) LD-11 Printed on Jun. 2, 1978.

Kabushiki Kaisha Ricoh (Japanese Corp.) Ricopy DT1600 Published in Jan. 1979.

Kabushiki Kaisha Ricoh (Japanese Corp.) Ricopy BS300 Published in Apr. 1980.

Canon Kabushiki Kaisha (Japanese Corp.) Canon NP 5b.

Mita Kogyo Kabushiki Kaisha (Japanese Corp.) Mita Copystar MC-10.

Konishiroku Shashin Kogyo Kabushiki Kaisha (Japanese Corp.) U-BIX V.

Primary Examiner—Catherine E. Kemper
Attorney, Agent, or Firm—Stevens, Davis, Miller & Mosher

[57] CLAIM

The ornamental design for a photocopying machine, as shown.

DESCRIPTION

FIG. 1 is a top, front and left side perspective view of a photocopying machine showing our new design, FIG. 2 is a bottom plan view thereof, FIG. 3 is a rear elevational view thereof, and FIG. 4 is a right side elevational view thereof.

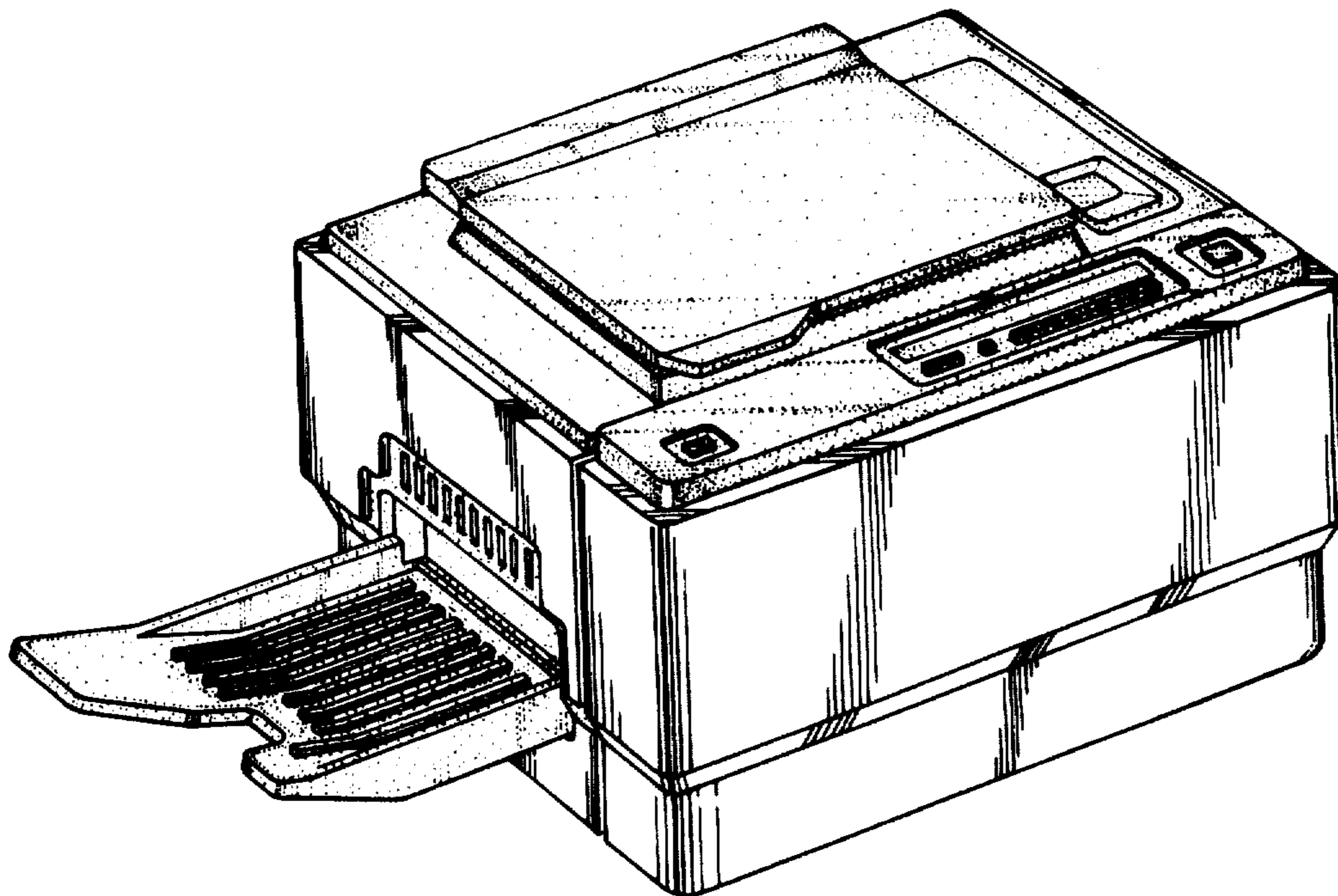


FIG. 1

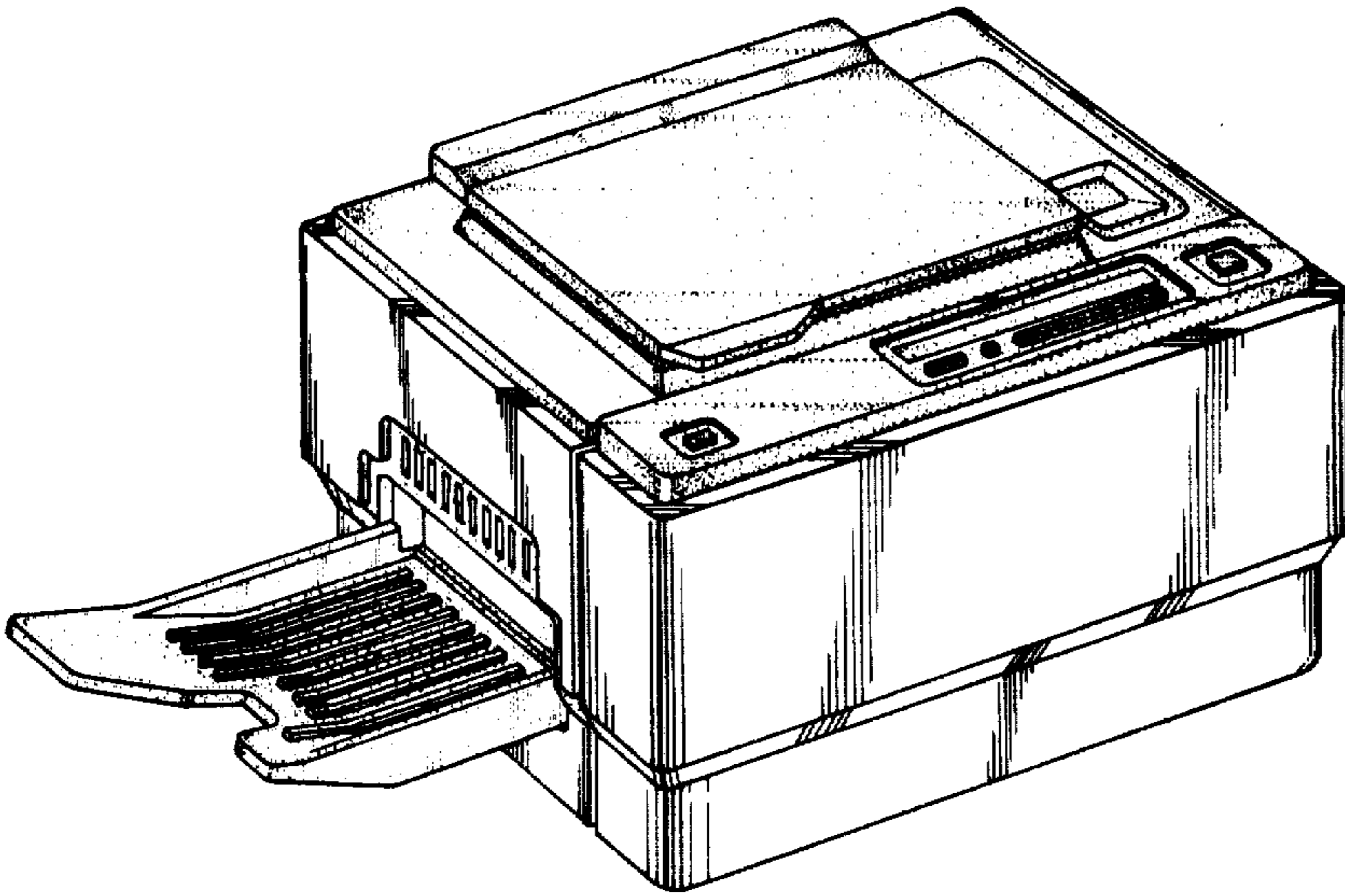


FIG. 2

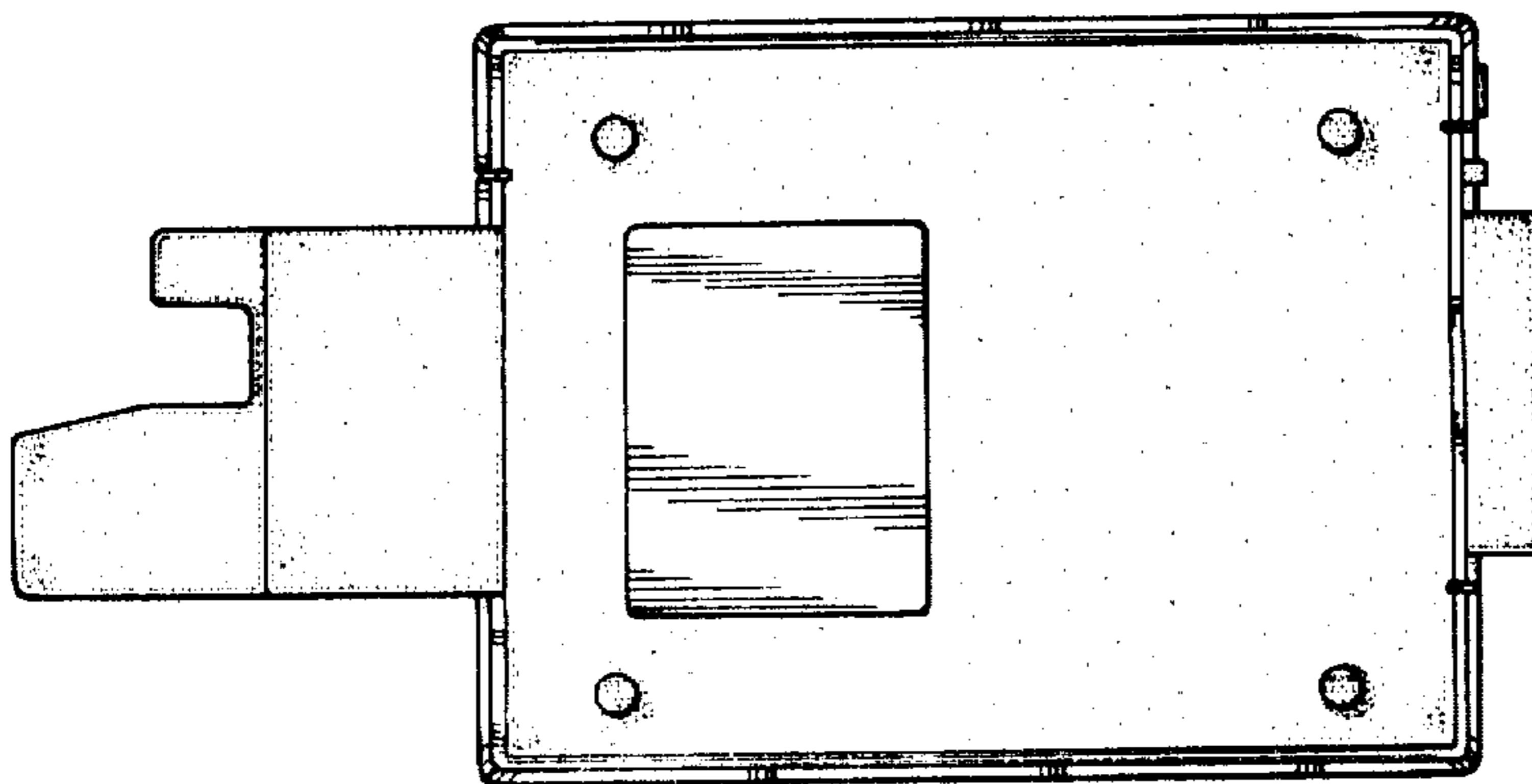


FIG. 3

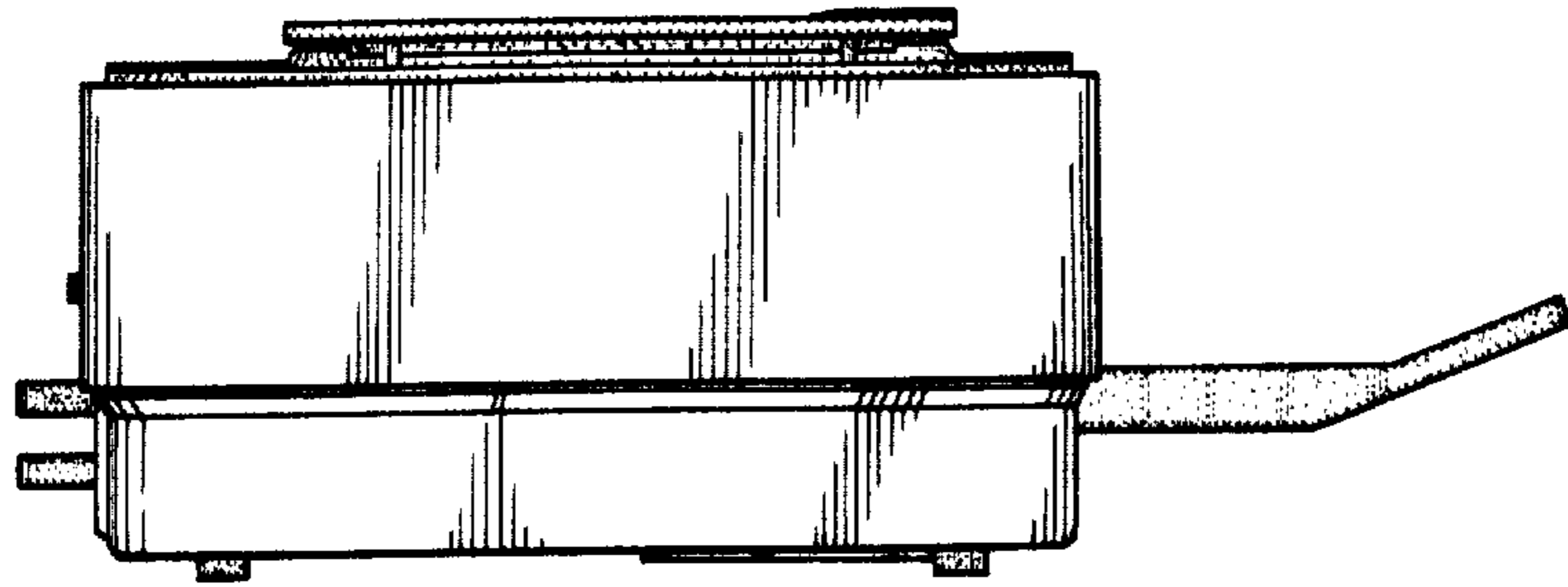


FIG. 4

