

[54] MICRO FICHE DUPLICATOR

[75] Inventors: **Shigeo Sumi, Hasuda; Hideaki Nagata**, Tokyo, both of Japan

[73] Assignee: **Somar Manufacturing Co., Ltd.**, Tokyo, Japan

[**] Term: **14 Years**

[21] Appl. No.: **143,679**

[22] Filed: **Apr. 25, 1980**

[51] Int. Cl. **D16-03**

[52] U.S. Cl. **D16/27**

[58] Field of Search **D16/2, 27, 28, 29; 355/7, 18, 19, 44, 45, 54, 64, 65**

[56]

References Cited

U.S. PATENT DOCUMENTS

- D. 232,480 8/1974 Laughon D16/27
- D. 247,295 2/1978 Cherian et al. D16/27
- D. 248,765 8/1978 Clowe D16/29

Primary Examiner—Catherine E. Kemper
Attorney, Agent, or Firm—Sughrue, Mion, Zinn, Macpeak & Seas

[57]

CLAIM

The ornamental design for a micro fiche duplicator, as shown.

DESCRIPTION

FIG. 1 is a front, top and right side perspective view of a micro fiche duplicator showing our new design; FIG. 2 is a top plan view thereof; FIG. 3 is a left side elevational view thereof; FIG. 4 is a right side elevational view thereof; FIG. 5 is a rear elevational view thereof; and FIG. 6 is a bottom plan view thereof.

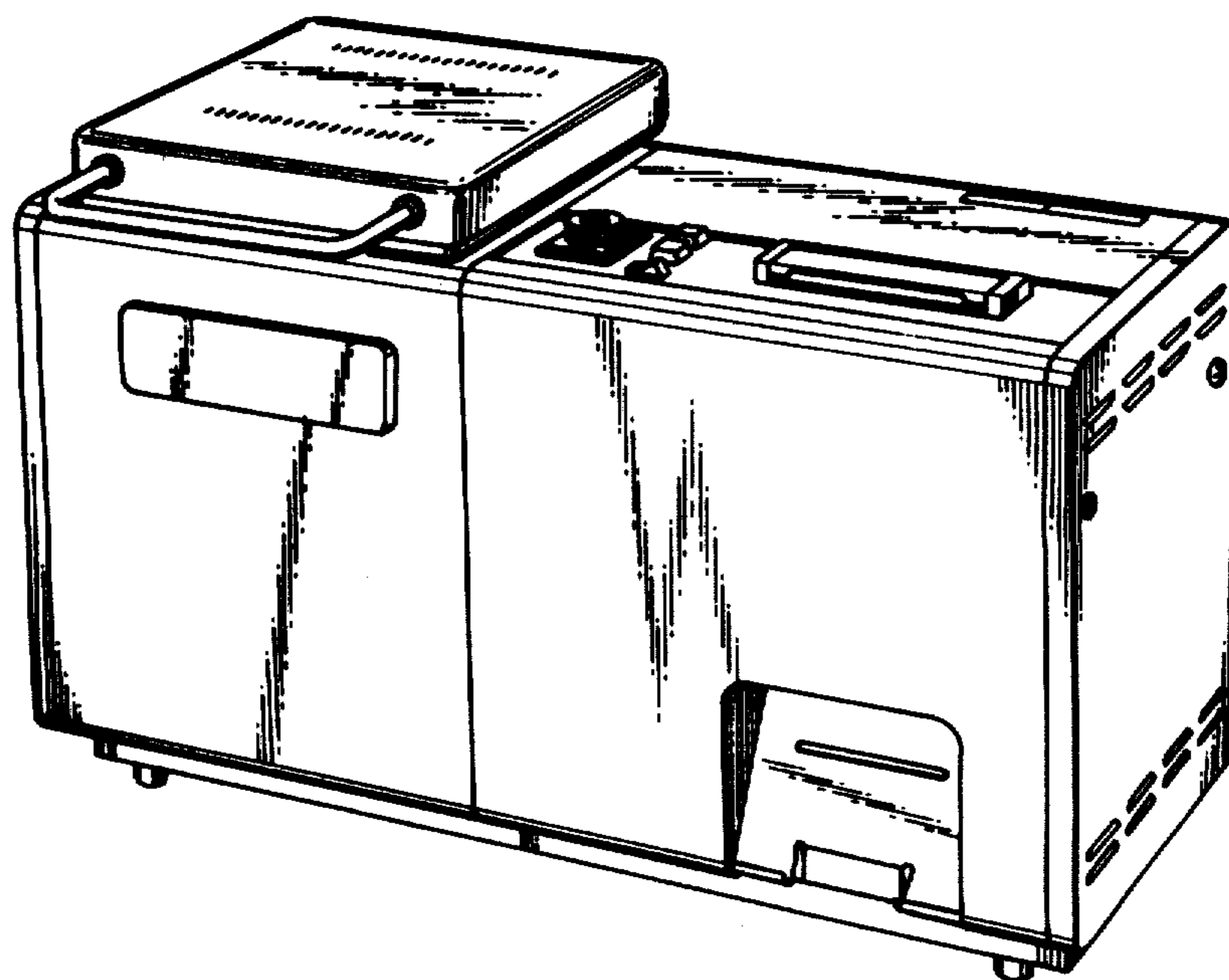


Fig. 1

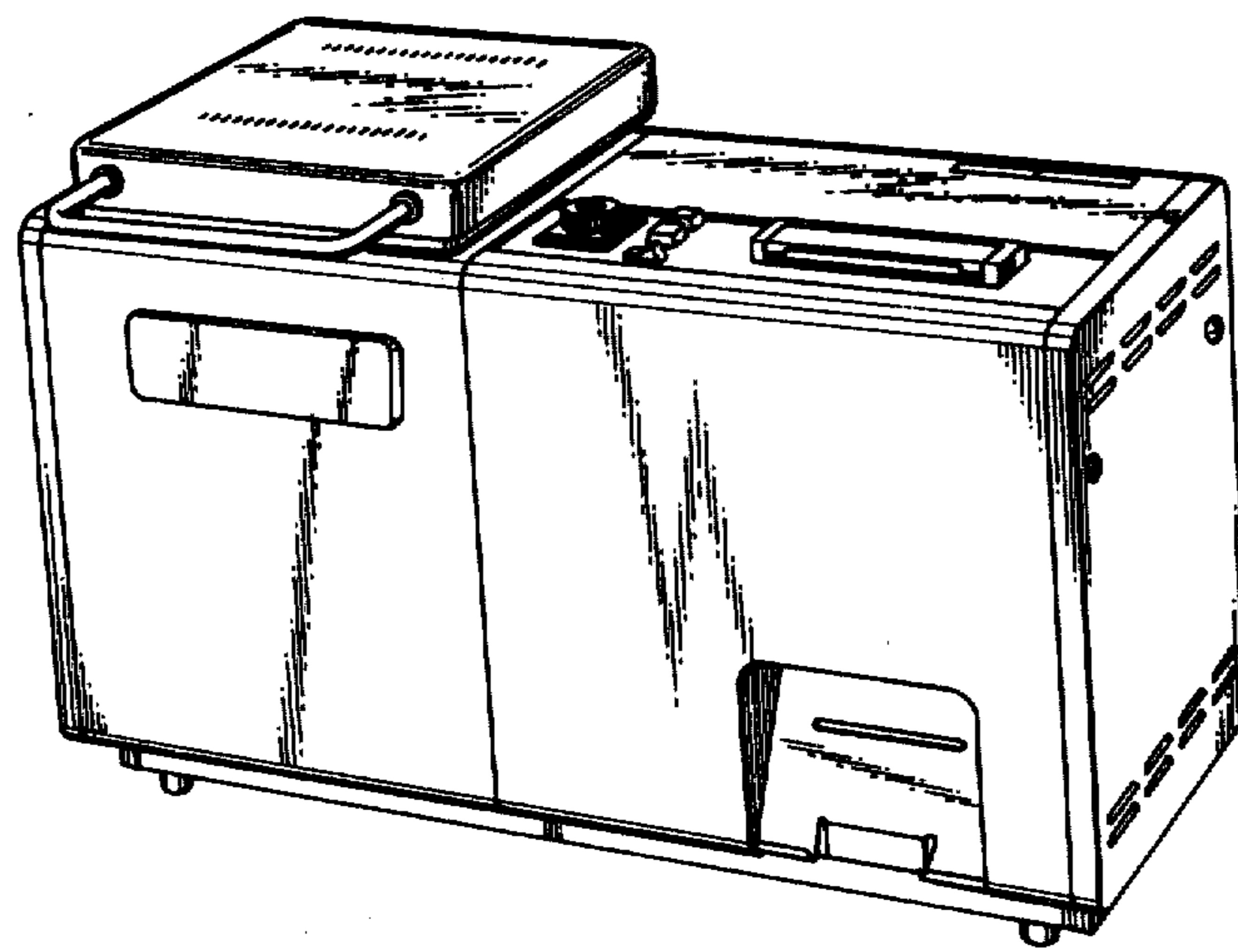


Fig. 2

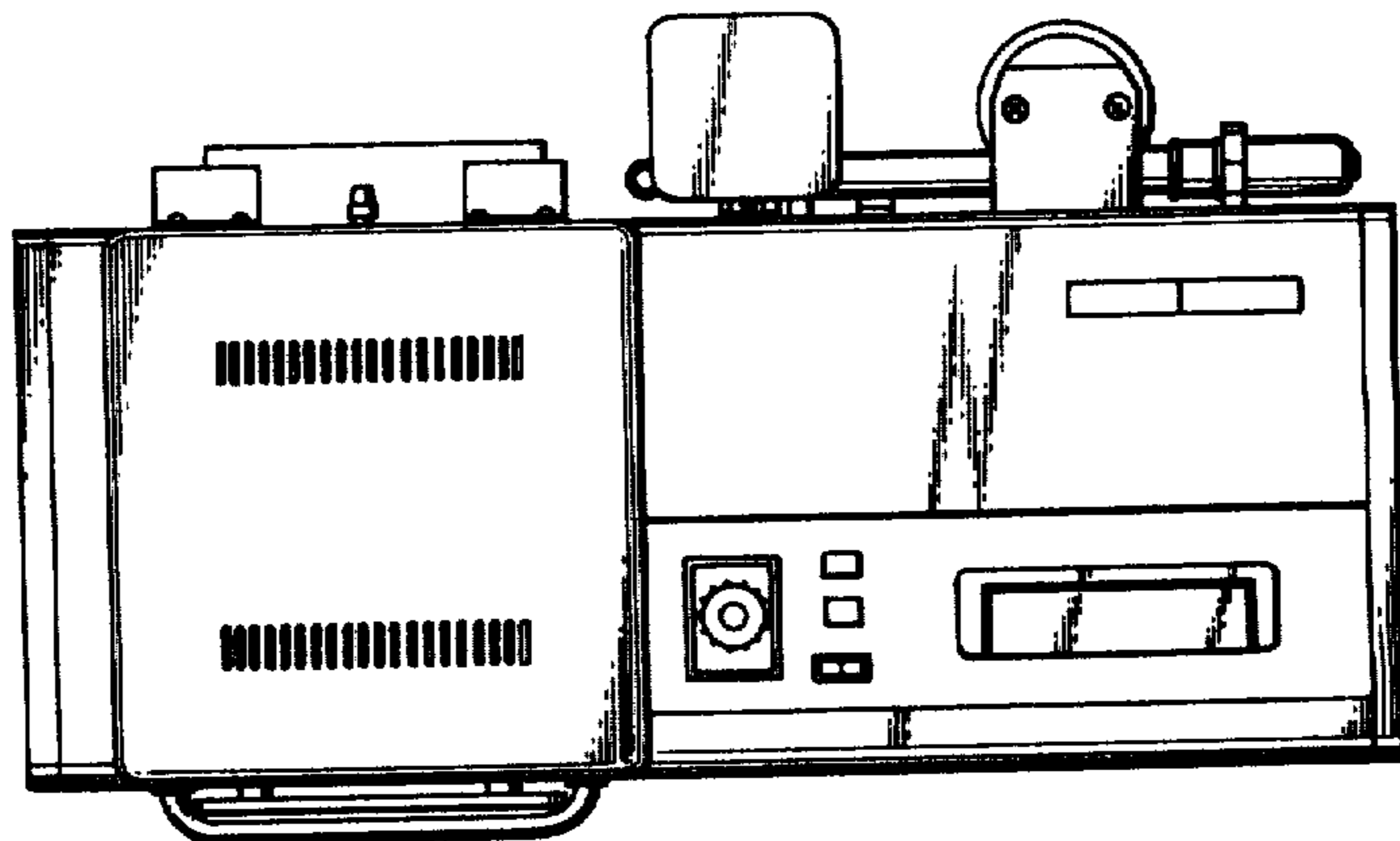


Fig. 3

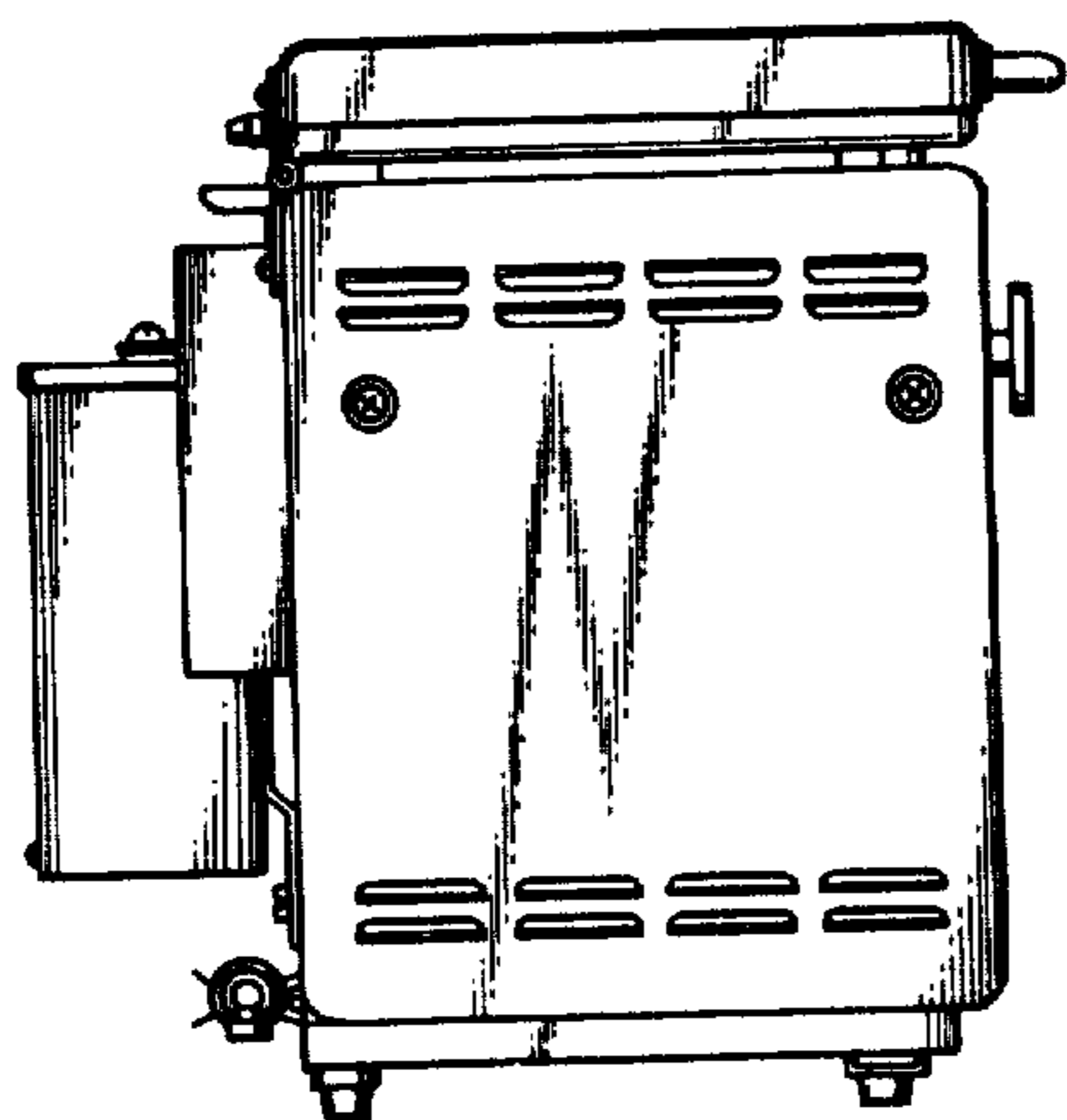


Fig. 4

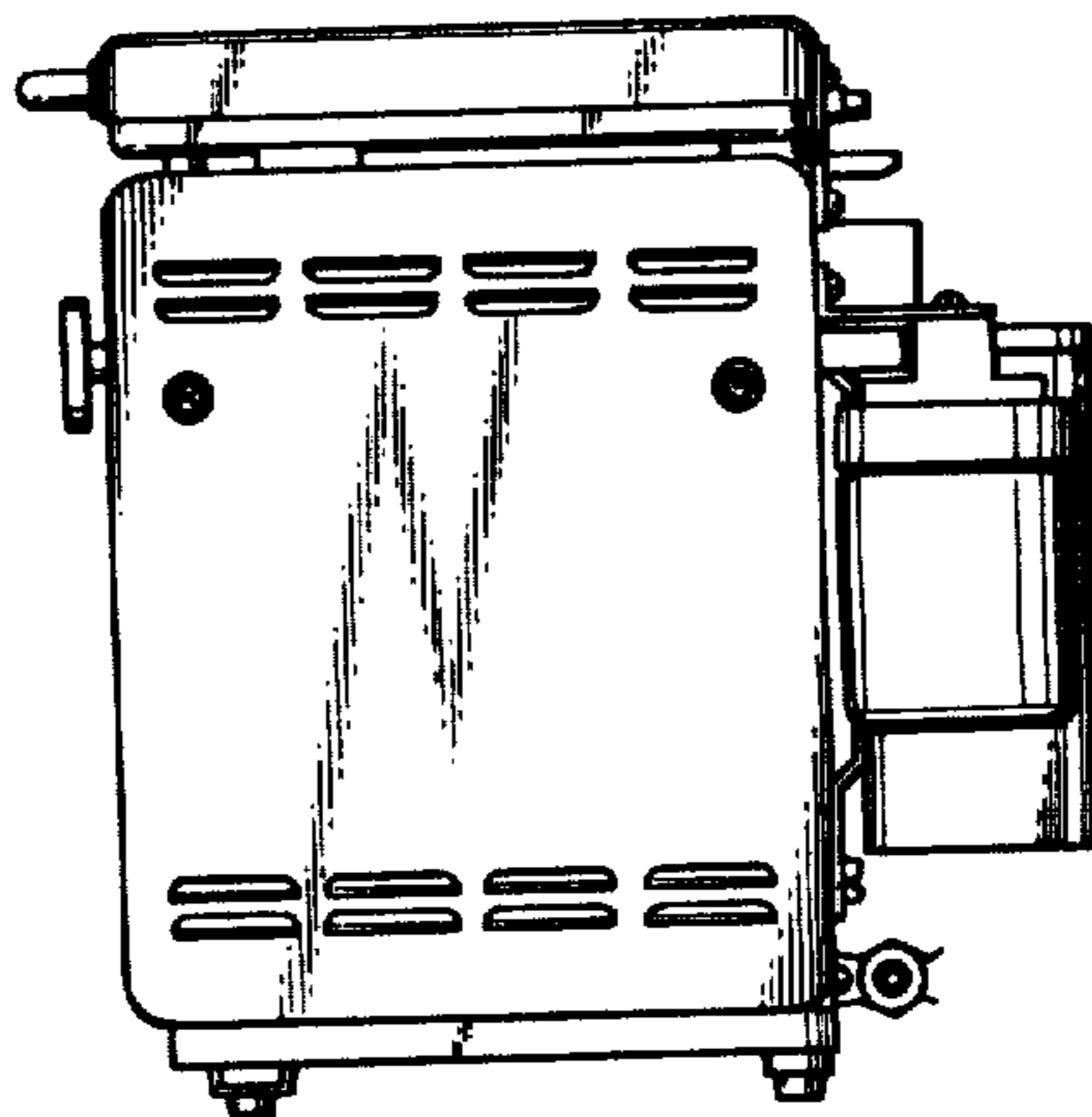


Fig. 5

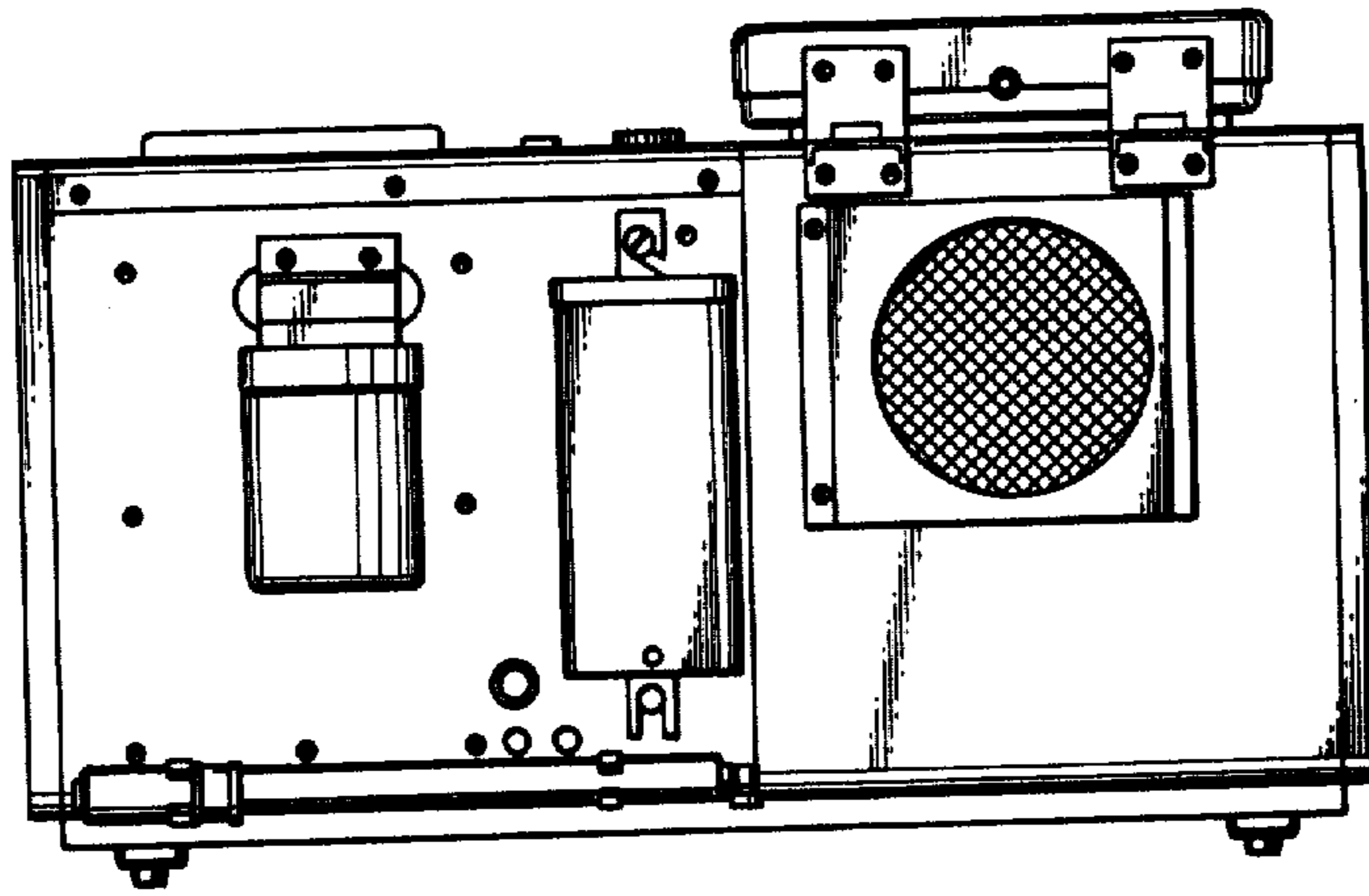


Fig. 6

