

[54] FUNNEL TRAY

[76] Inventor: John D. Gallagher, R.R. #1,
Ingelwood, Ontario, Canada

[**] Term: 14 Years

[21] Appl. No.: 190,180

[22] Filed: Sep. 23, 1980

[30] Foreign Application Priority Data

Apr. 14, 1980 [CA] Canada 14-04-80-5

[51] Int. Cl. D15-99

[52] U.S. Cl. D15/140; D10/97;
D7/50; D7/68; D7/104

[58] Field of Search D15/140; D10/97;
D9/242, 290, 456; 209/703; 414/675; 214/1 C;
D34/40; 133/8 R; D7/50, 68, 104, 37

[56] References Cited

U.S. PATENT DOCUMENTS

D. 75,146 5/1928 Beardsley D7/37

D. 236,538 8/1975 Adams D15/140
D. 248,078 6/1978 Warnekros D7/104 X
D. 262,507 1/1982 Wooldridge D7/68 X
2,952,369 9/1960 Rew 414/675
3,747,756 7/1973 Wheeler 209/703
4,121,722 10/1978 Sussman 133/8 R X

FOREIGN PATENT DOCUMENTS

3894 of 1899 United Kingdom 414/675

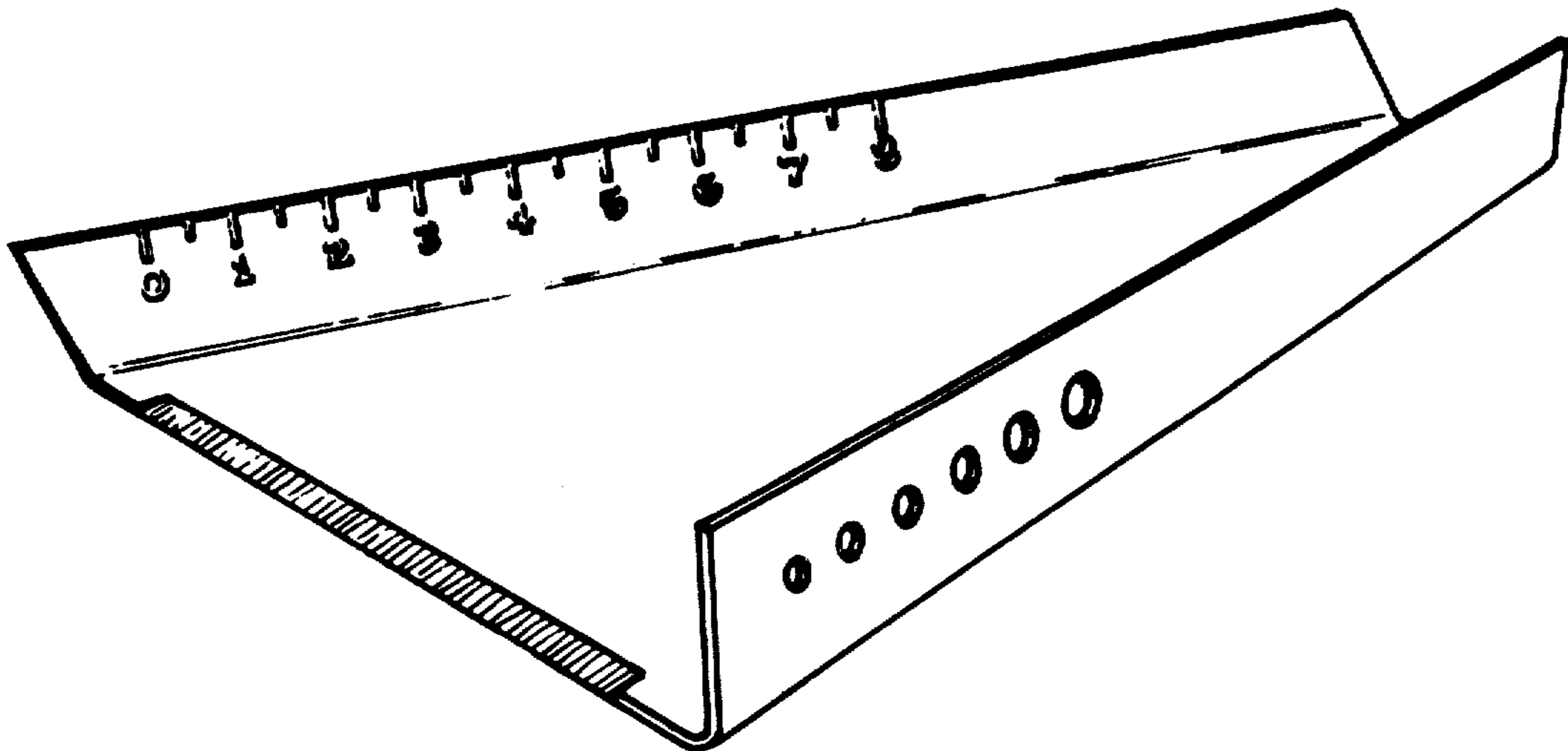
Primary Examiner—Nelson C. Holtje
Attorney, Agent, or Firm—Burns, Doane, Swecker &
Mathis

[57] CLAIM

The ornamental design for a funnel tray, as shown and described.

DESCRIPTION

FIG. 1 is a top and left rear perspective view of a funnel tray showing my new design;
FIG. 2 is a top and right front perspective view thereof:
The bottom, not shown, is flat, plain and unornamented.



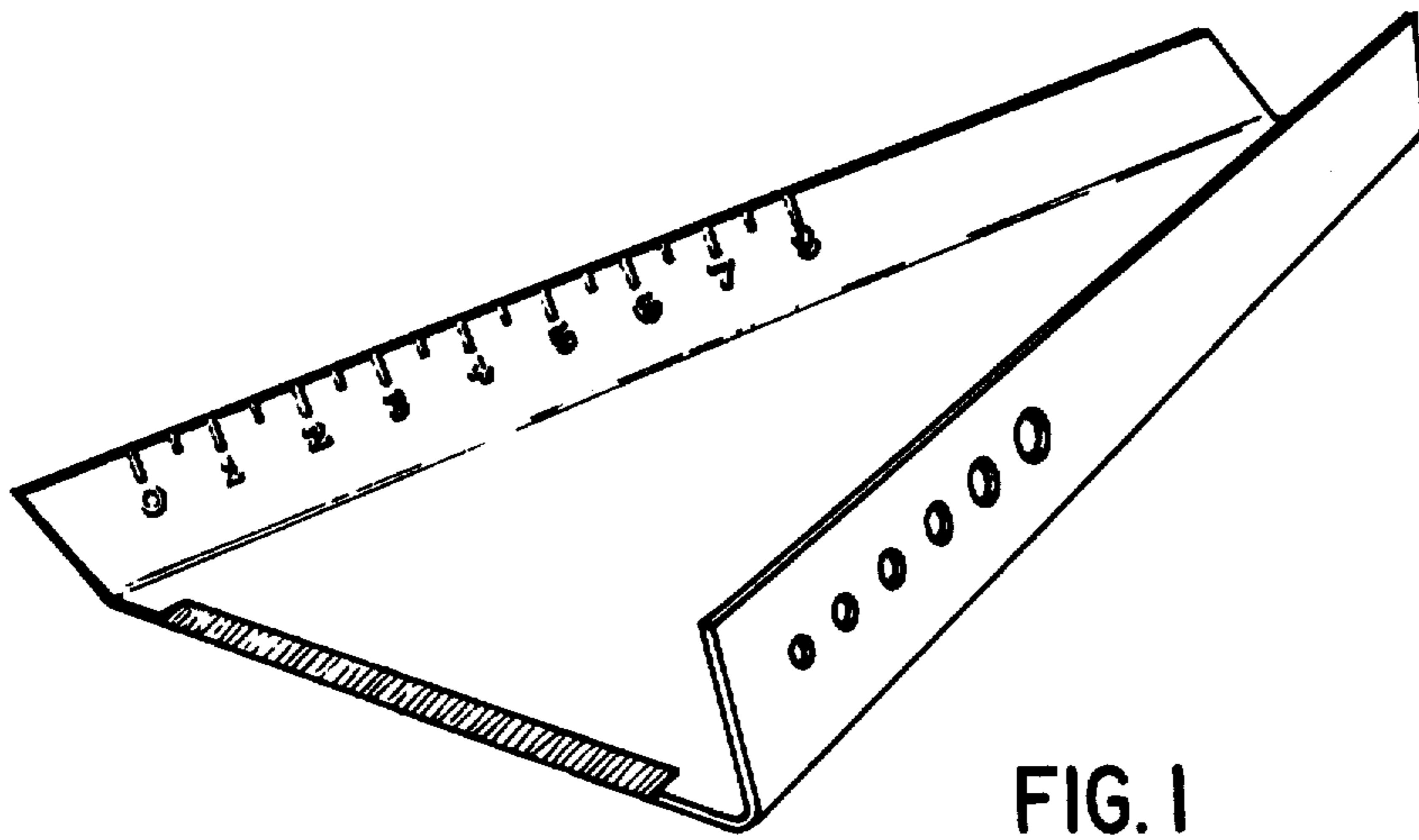


FIG. 1

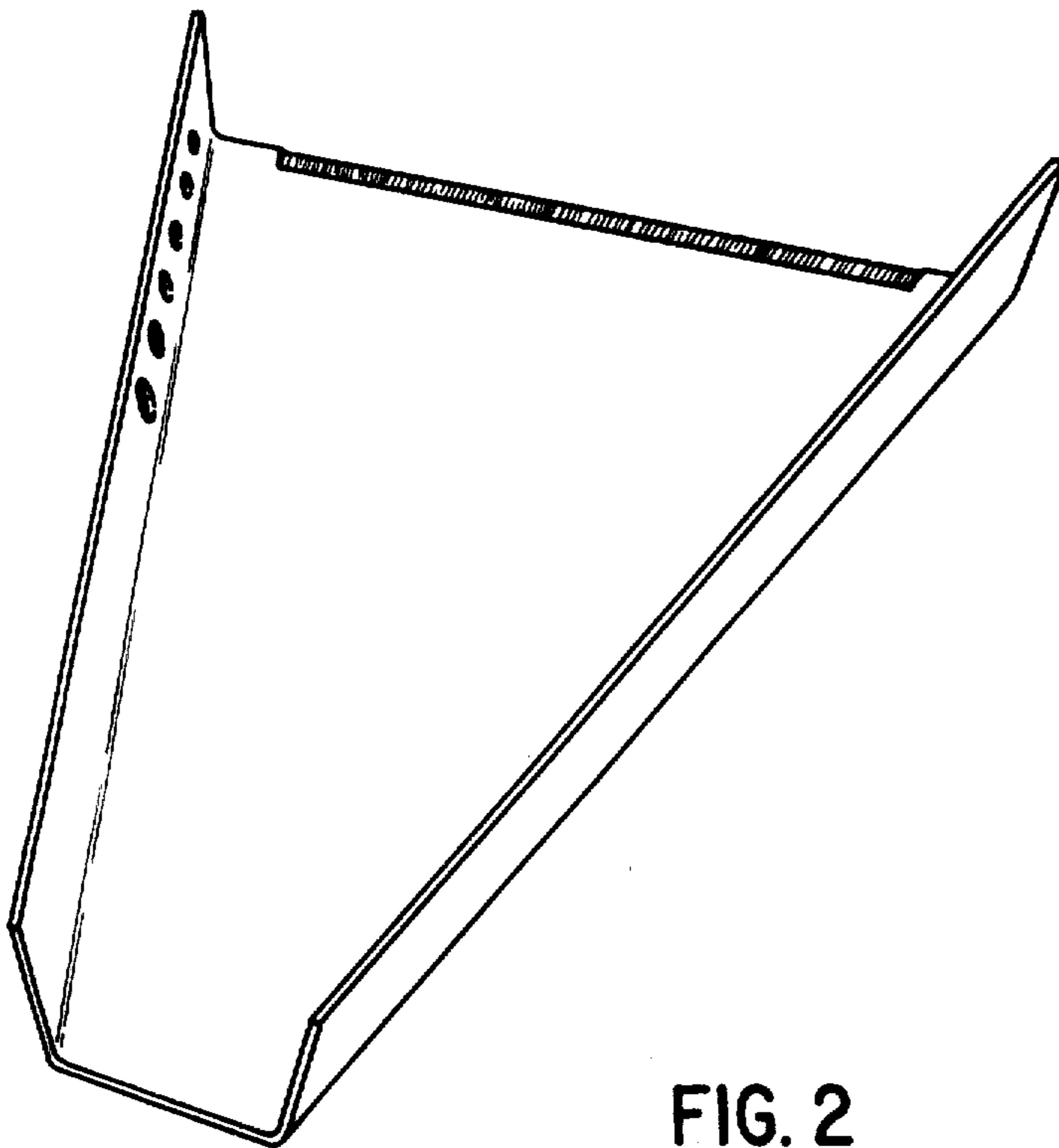


FIG. 2