

[54] COLLAPSIBLE HEADSET

[75] Inventors: Alan Hofer, Wantaugh; Frank Frielingsdorf, Port Jefferson, both of N.Y.

[73] Assignee: Pickering & Company, Inc., Plainview, N.Y.

[**] Term: 14 Years

[21] Appl. No.: 43,663

[22] Filed: May 30, 1979

[51] Int. Cl. D14-03

[52] U.S. Cl. D14/36

[58] Field of Search D14/36; 179/156 R, 182 R

References Cited

U.S. PATENT DOCUMENTS

D. 196,654	10/1963	Van Den Berg	D14/36
D. 244,300	5/1977	Besasio	D14/36
1,677,185	7/1928	Kaisling	179/156 R
2,407,731	9/1946	Woodruff	179/182 R
3,053,944	9/1962	Weeks	179/156 R
3,272,926	9/1966	Falkenberg	D14/36
3,488,457	1/1970	Lahti	179/156 R

3,810,525	5/1974	Crenna	179/182 R
3,863,028	1/1975	Fixler	179/156 R

FOREIGN PATENT DOCUMENTS

246574	1/1926	United Kingdom	179/156 R
1091490	11/1967	United Kingdom	179/156 R

Primary Examiner—T. Tung
Attorney, Agent, or Firm—Kane, Dalsimer, Kane, Sullivan and Kurucz

[57] CLAIM

The ornamental design for a collapsible headset, as shown.

DESCRIPTION

FIG. 1 is a front elevational view of the collapsible headset of the present invention showing one side of the headset in collapsed condition and the other side extended;

FIG. 2 is an end elevational view thereof showing the extended end of the collapsible headset;

FIG. 3 is an end elevational view thereof taken from the collapsed end of the collapsible headset;

FIG. 4 is a top plan view thereof; and

FIG. 5 is a bottom plan view thereof.

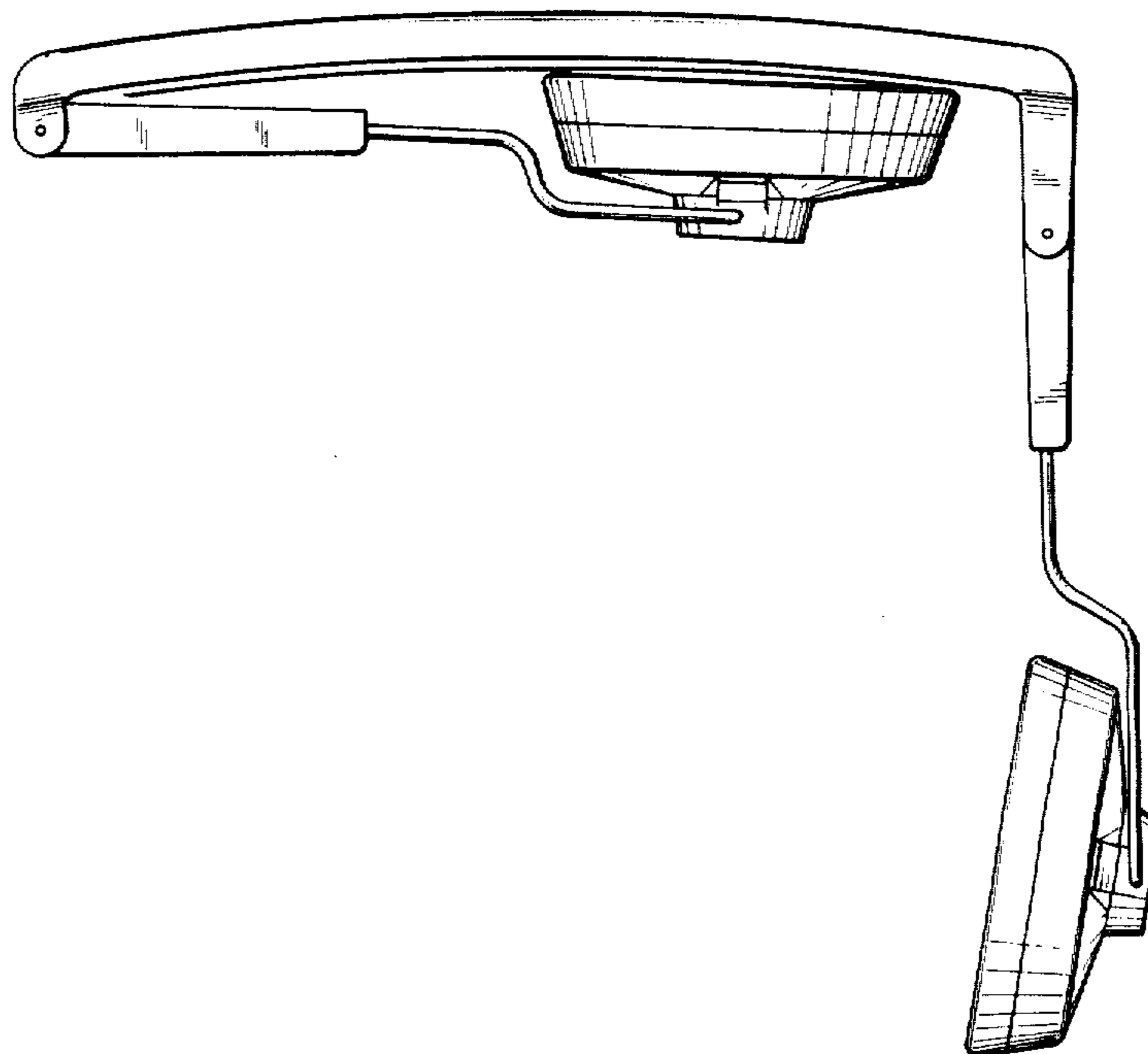


FIG. 1

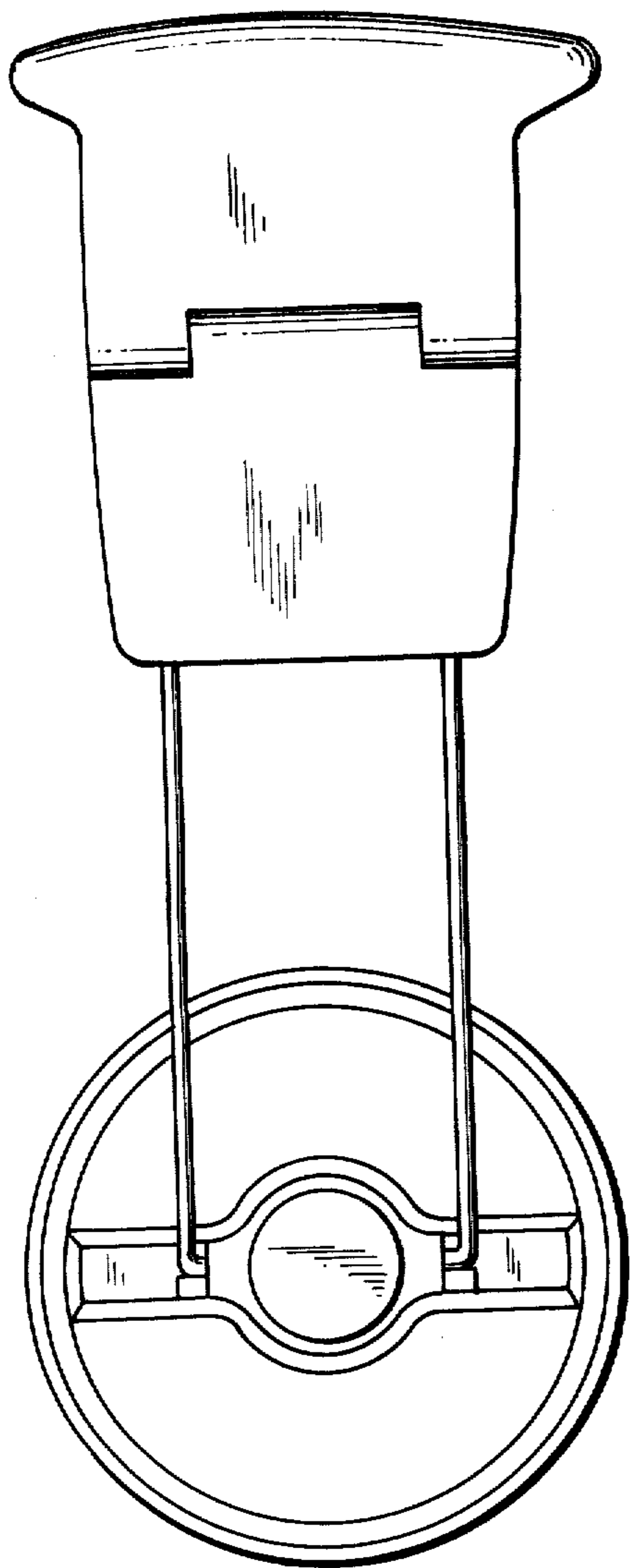
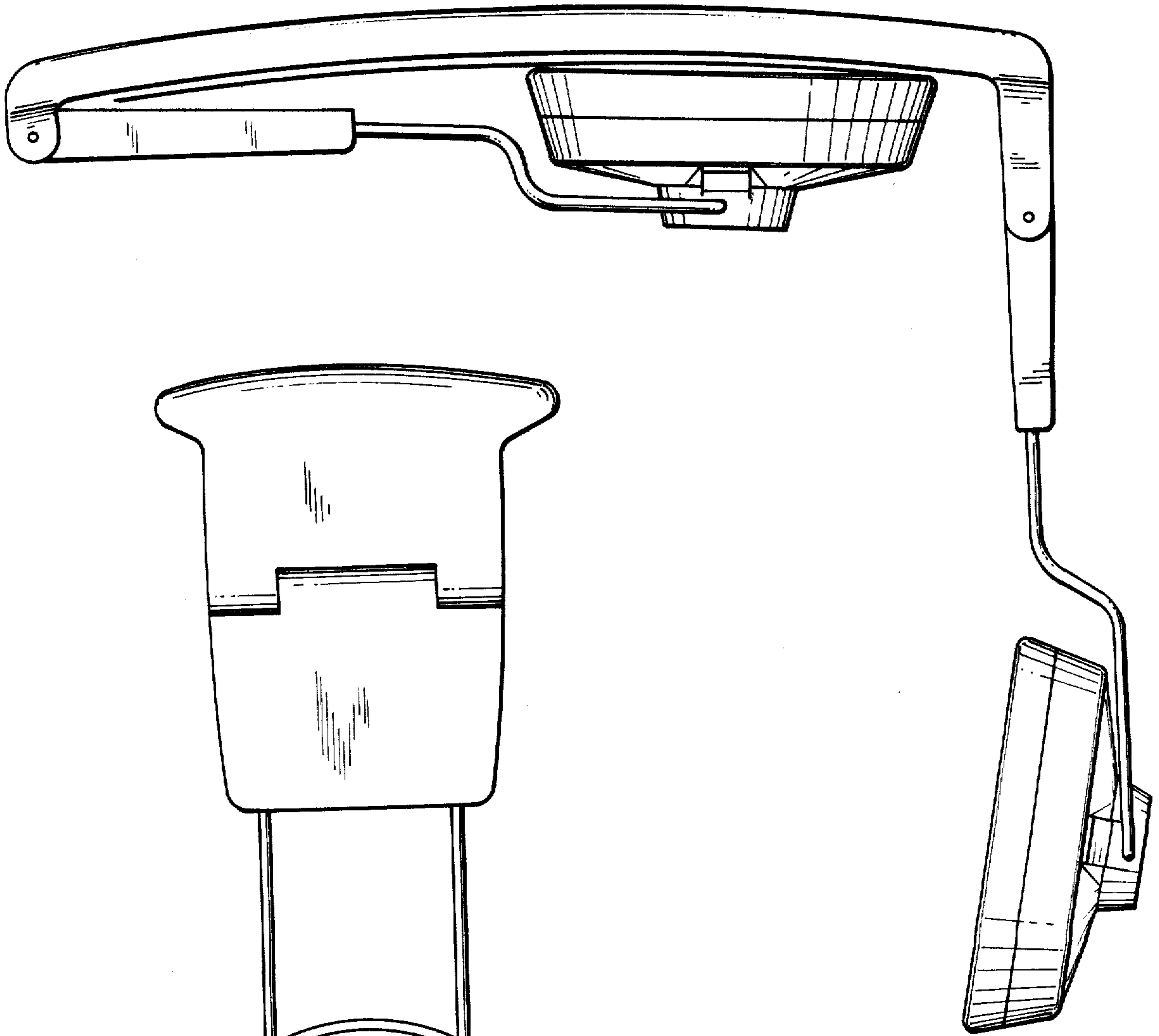


FIG. 2

FIG. 4

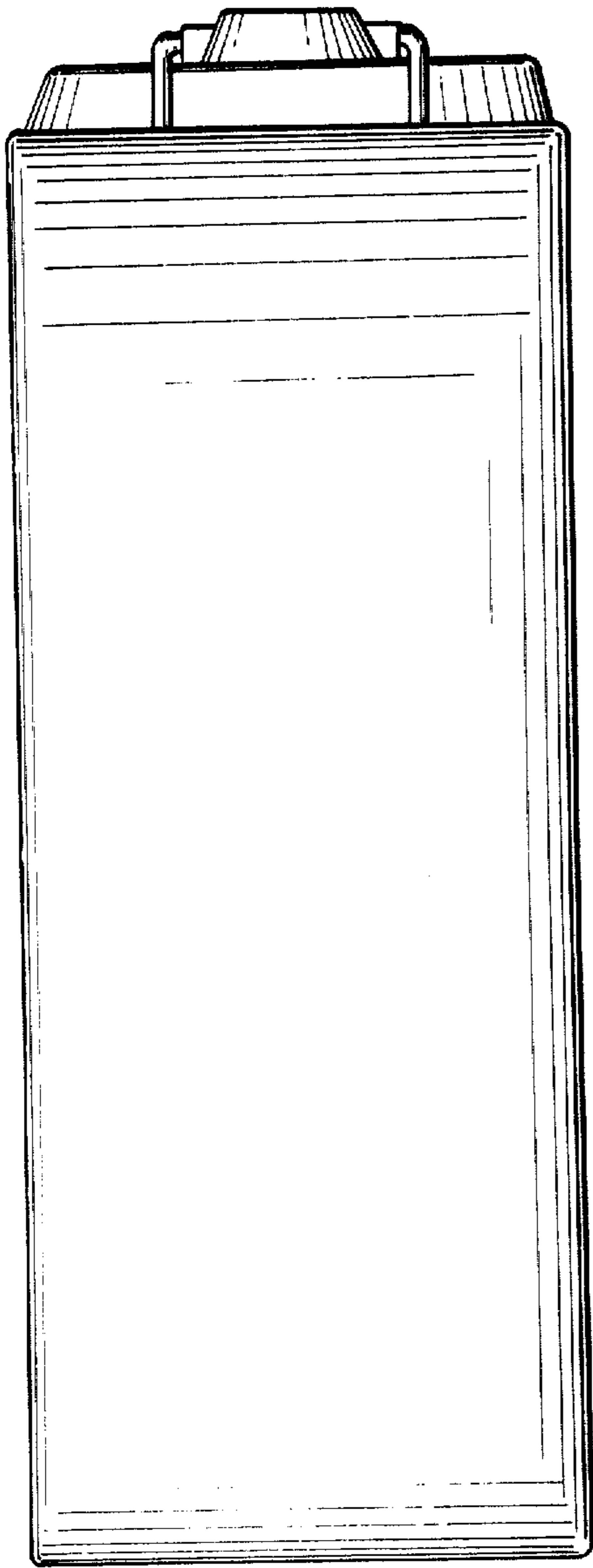


FIG. 3

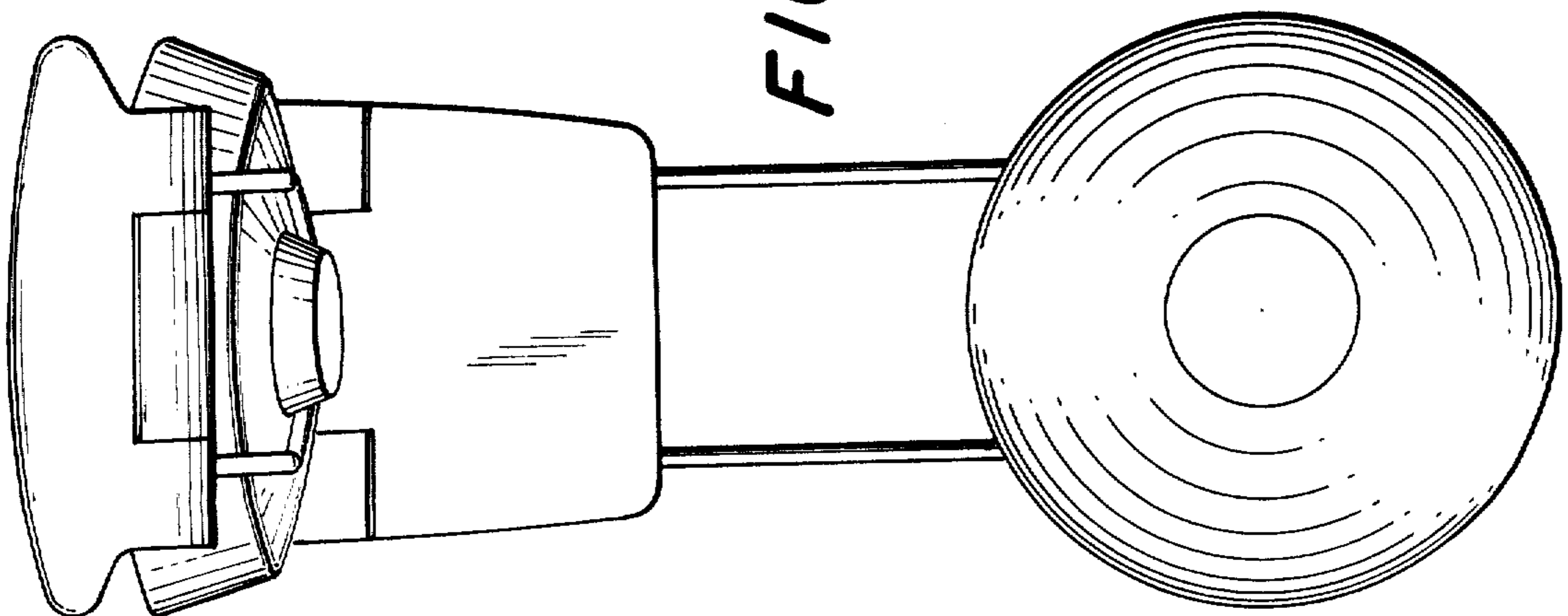


FIG. 5

