

[54] COMBINED BABY STROLLER AND BASKET

D. 254,906 5/1980 Nakao et al. .... D12/129  
3,953,046 4/1976 Johansson ..... 280/644

[75] Inventors: Shinroku Nakao, Yokohama; Kouichi Kobayashi, Tokyo, both of Japan

Primary Examiner—James M. Gandy  
Attorney, Agent, or Firm—Sughrue, Mion, Zinn,  
Macpeak & Seas

[73] Assignee: Combi Co., Ltd., Tokyo, Japan

[\*\*] Term: 14 Years

[57] CLAIM

[21] Appl. No.: 215,884

The ornamental design for a combined baby stroller and basket, as shown.

[22] Filed: Dec. 3, 1980

DESCRIPTION

[51] Int. Cl. .... D12-12

[52] U.S. Cl. .... D12/129

[58] Field of Search ..... D12/129; 280/47.38,  
280/642, 644, 647, 650, 658; 297/45, 39

FIG. 1 is a front and left side perspective view of a combined baby stroller and basket showing our new design;

FIG. 2 is a front elevational view thereof;

FIG. 3 is a right side elevational view thereof;

FIG. 4 is a rear elevational view thereof;

FIG. 5 is a top plan view thereof; and

FIG. 6 is a bottom plan view thereof.

[56] References Cited

U.S. PATENT DOCUMENTS

D. 212,325 10/1968 Korol ..... D12/129

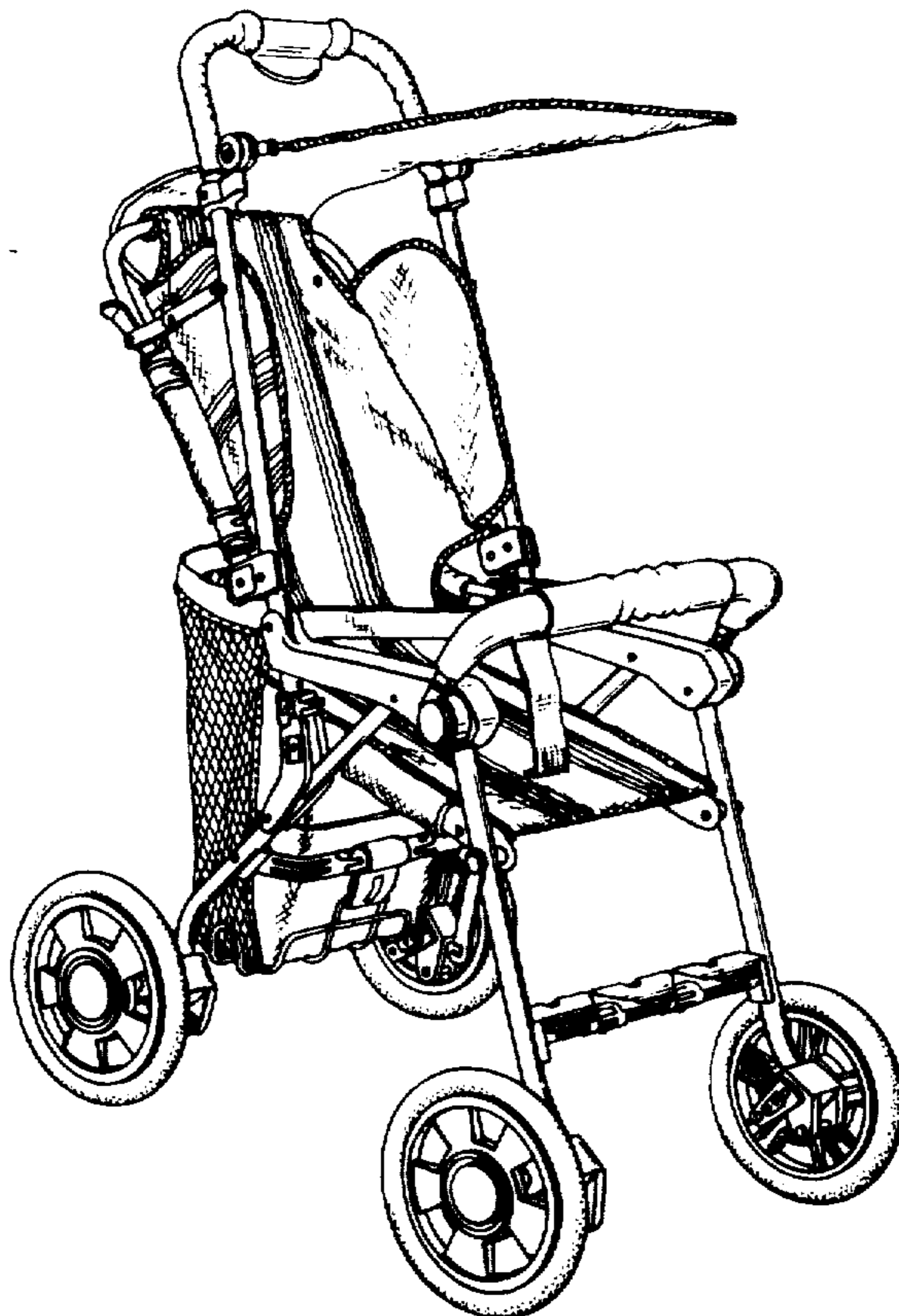


FIG. 2

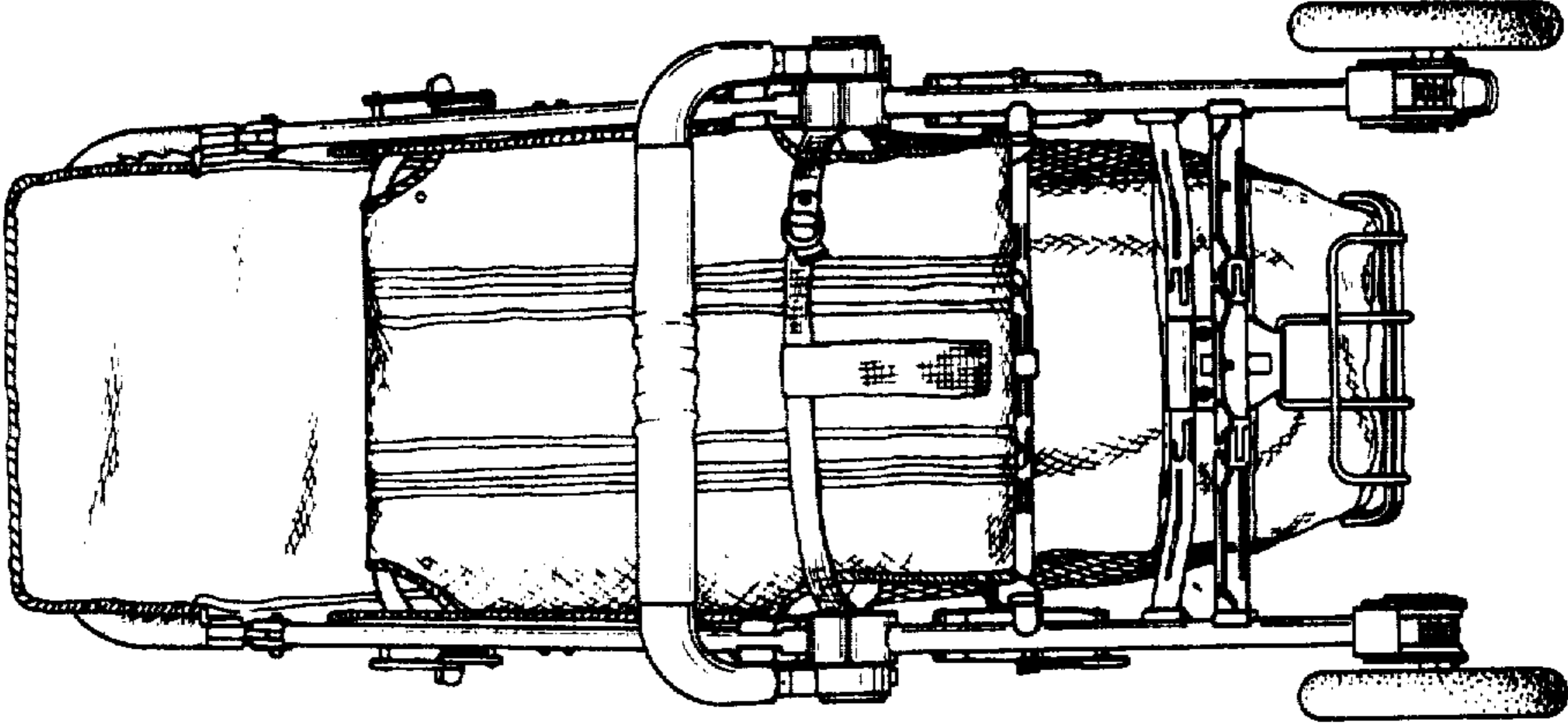


FIG. 1

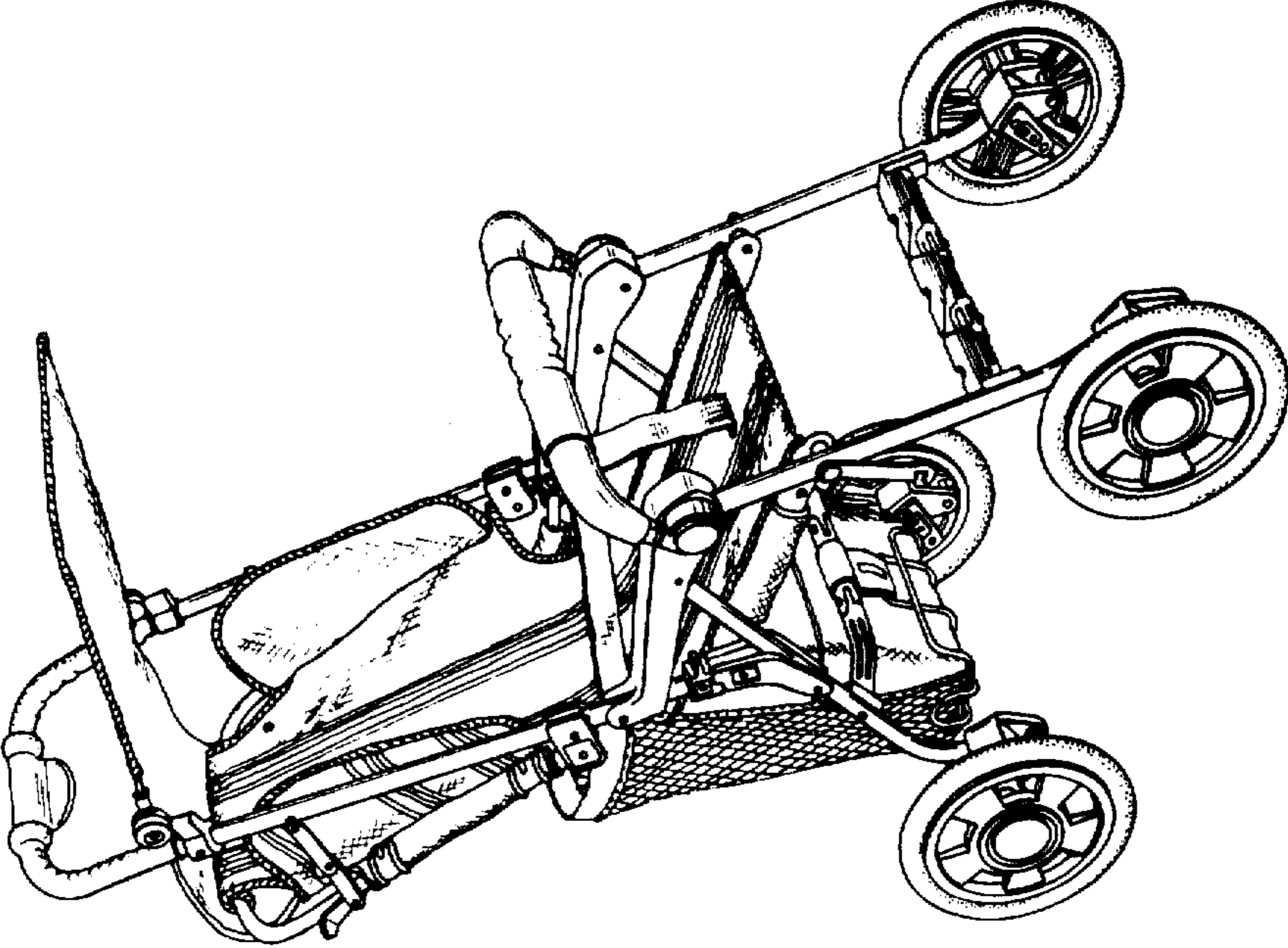


FIG. 4

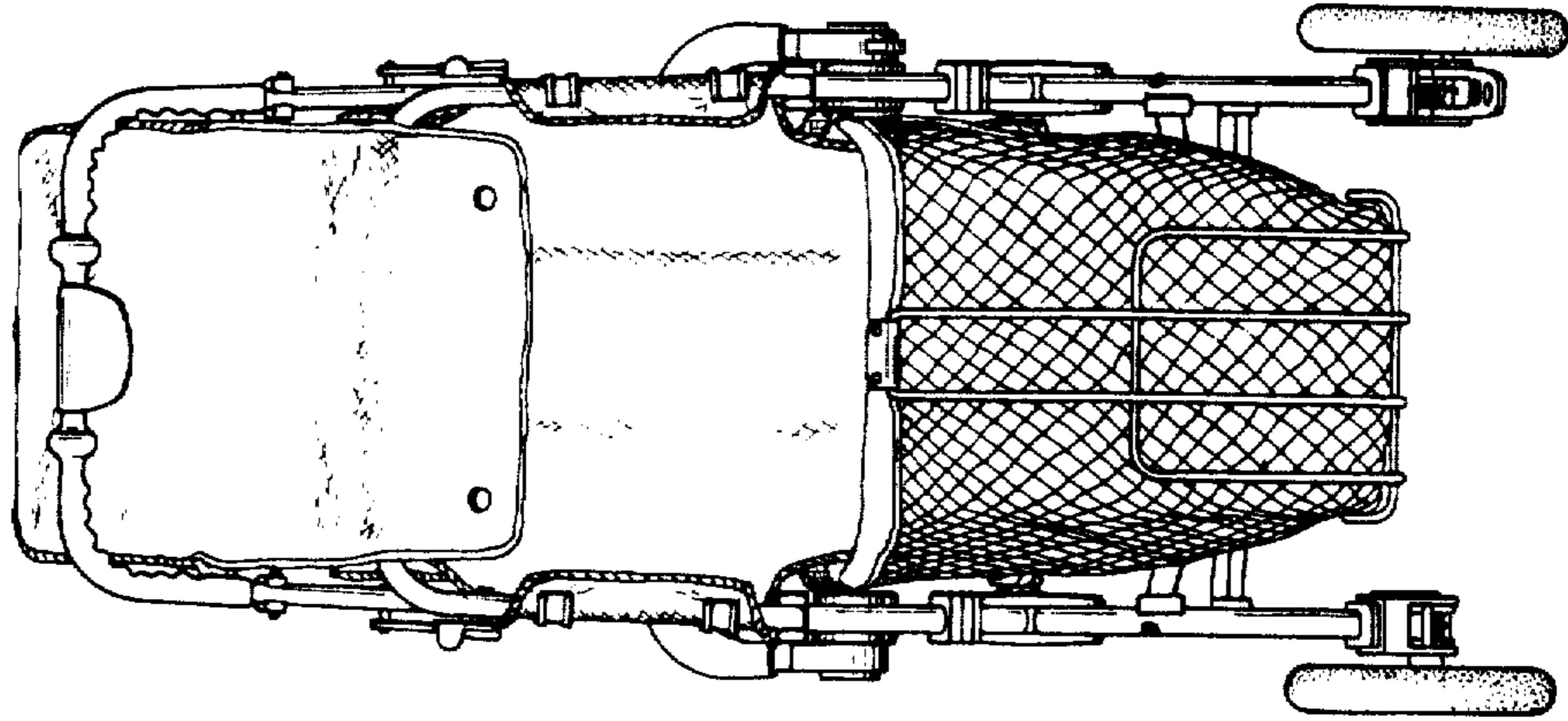


FIG. 3

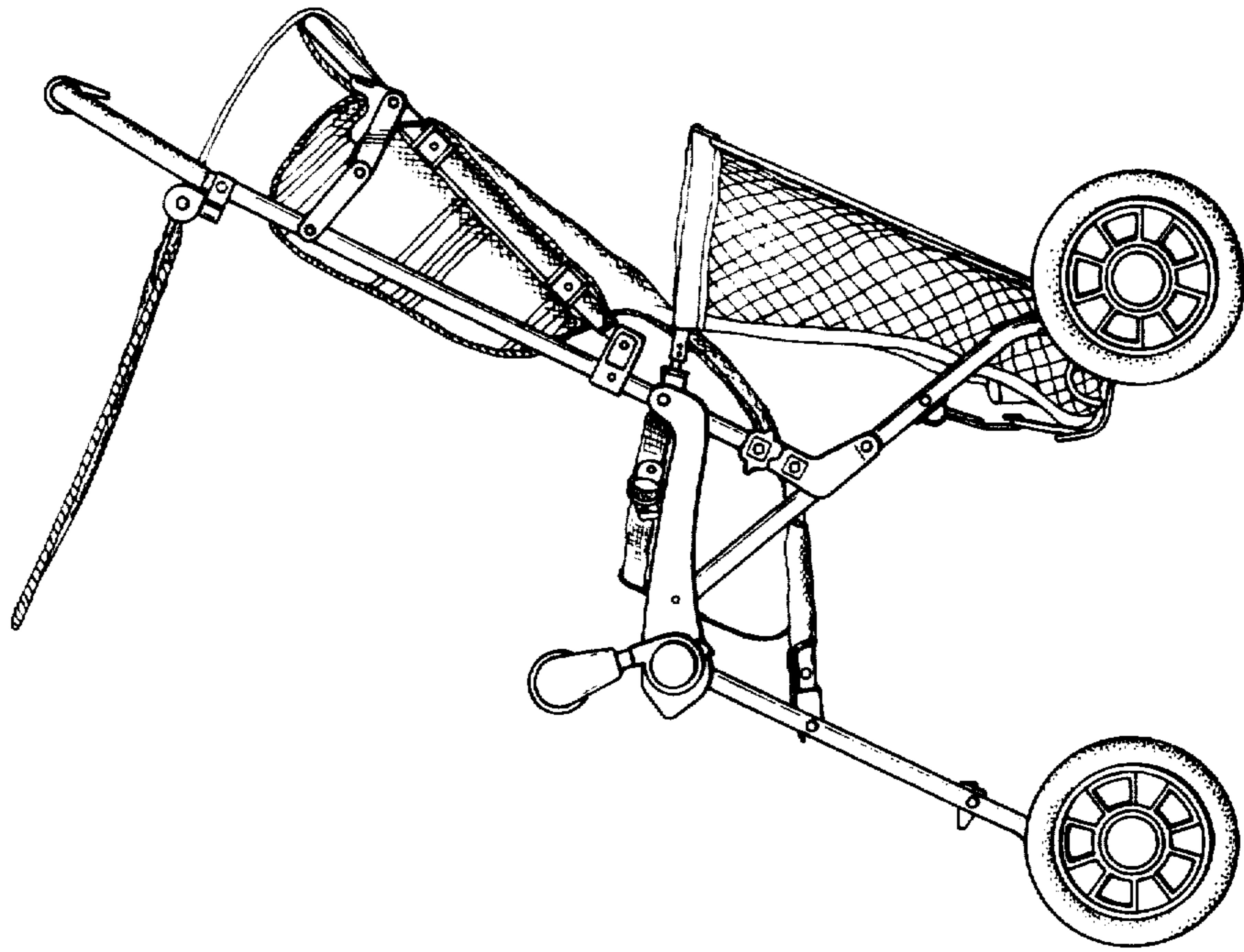


FIG. 6

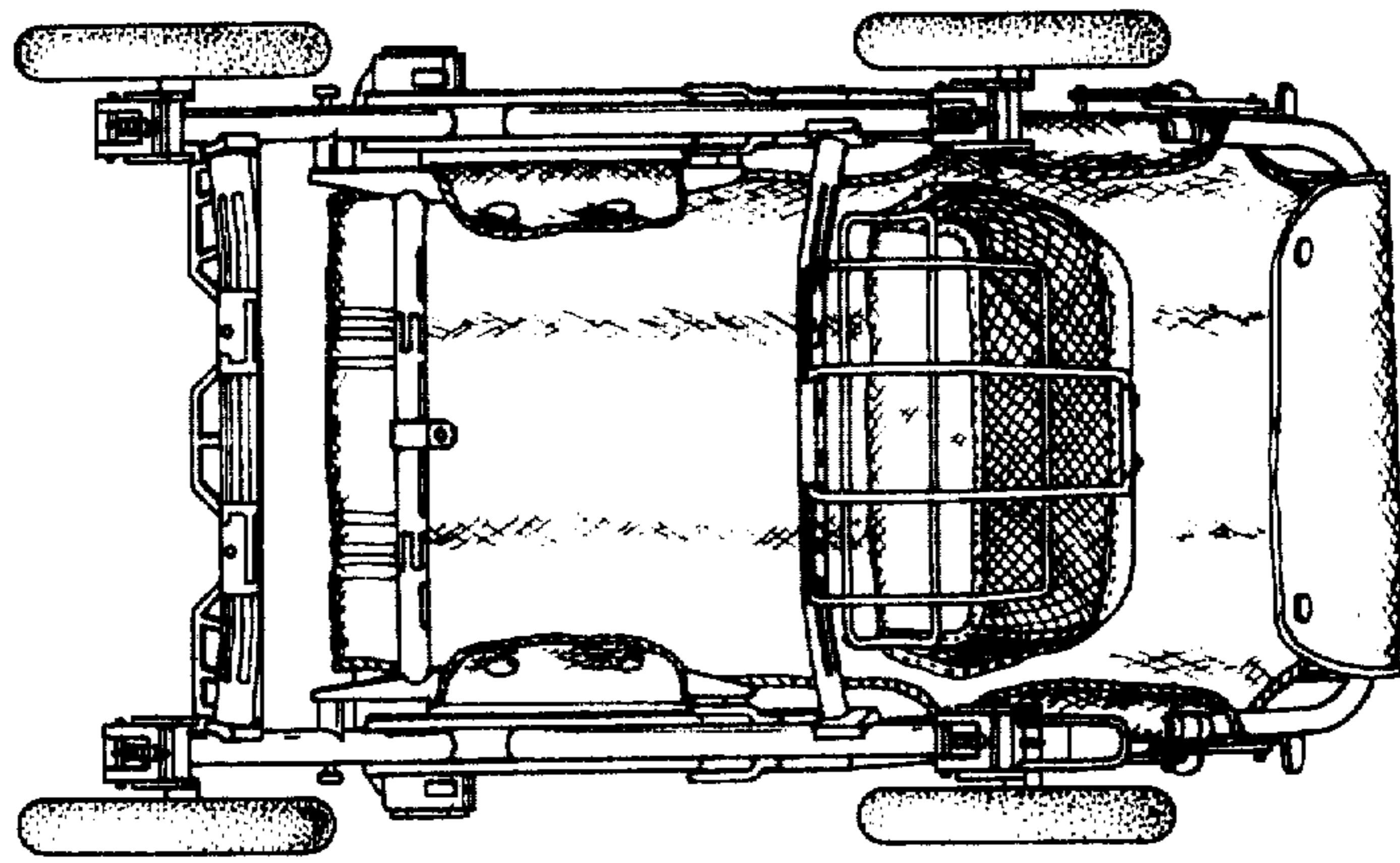


FIG. 5

