

[54] WRIST WATCH OR THE LIKE

[75] Inventor: **Kaoru Tsukahara,**
Higashimurayama, Japan
[73] Assignee: **Casio Computer Co. Ltd.,** Tokyo,
Japan

[**] Term: **14 Years**

[21] Appl. No.: **128,373**

[22] Filed: **Mar. 10, 1980**

[30] Foreign Application Priority Data

Oct. 22, 1979 [JP] Japan 54-44374

[51] Int. Cl. **D10-02**

[52] U.S. Cl. **D10/38**

[58] Field of Search D10/1, 2, 15, 30, 31,
D10/32, 38, 39, 122-126; 368/80-82, 240-242,
276, 285

[56] References Cited

U.S. PATENT DOCUMENTS

D. 237,149 10/1975 Watanabe D10/38

OTHER PUBLICATIONS

European Jeweler-6/76-p. 28-Digt. Watch.
Jeweler's Circular-Keystone-3/78-p. 56-Watch.
Swiss Watch & Jewelry Journal-2/77-p. 222-Watch.
Swiss Watch & Jewelry Journal-2/77-p. 223-Watch.

Primary Examiner—Nelson C. Holtje
Attorney, Agent, or Firm—Frishauf, Holtz, Goodman
and Woodward

[57] CLAIM

The ornamental design for a wrist watch or the like,
substantially as shown.

DESCRIPTION

FIG. 1 is a perspective view of a wrist watch or the like
showing my new design;
FIG. 2 is a top plan view thereof;
FIG. 3 is a bottom plan view thereof;
FIG. 4 is a front elevational view thereof;
FIG. 5 is a rear elevational view thereof;
FIG. 6 is a right side elevational view thereof; and
FIG. 7 is a left side elevational view thereof.

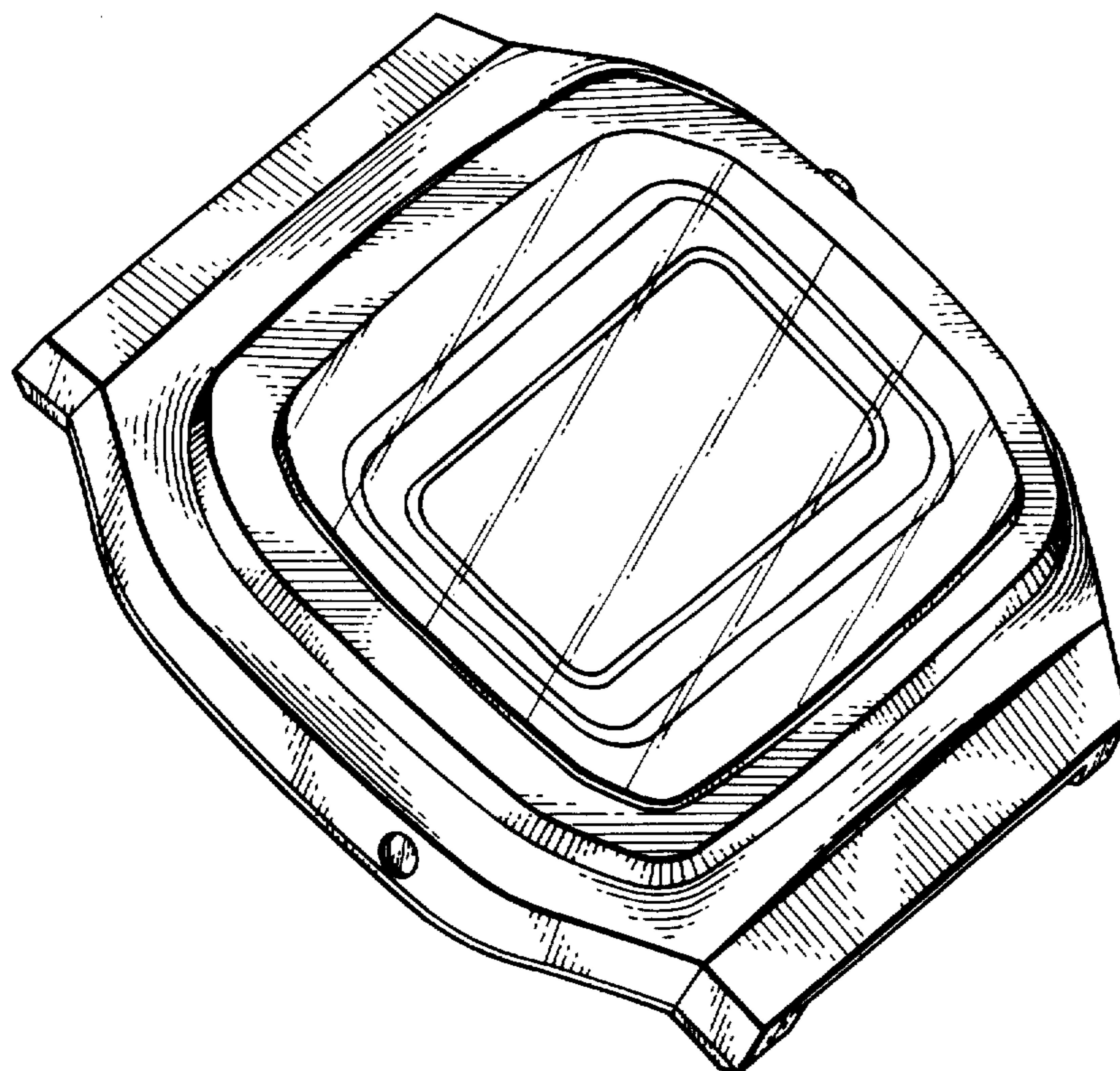


FIG. 1

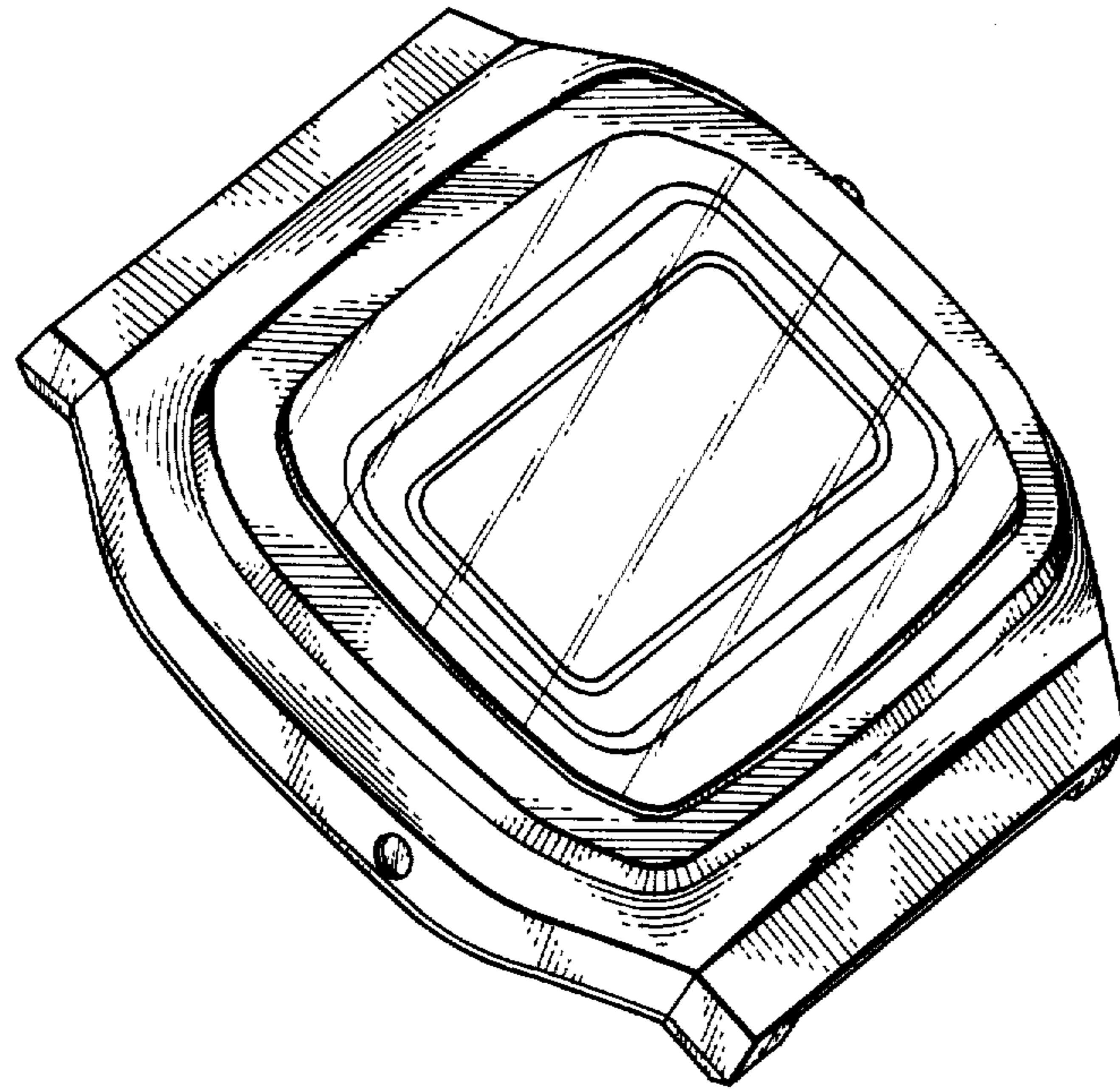


FIG. 2

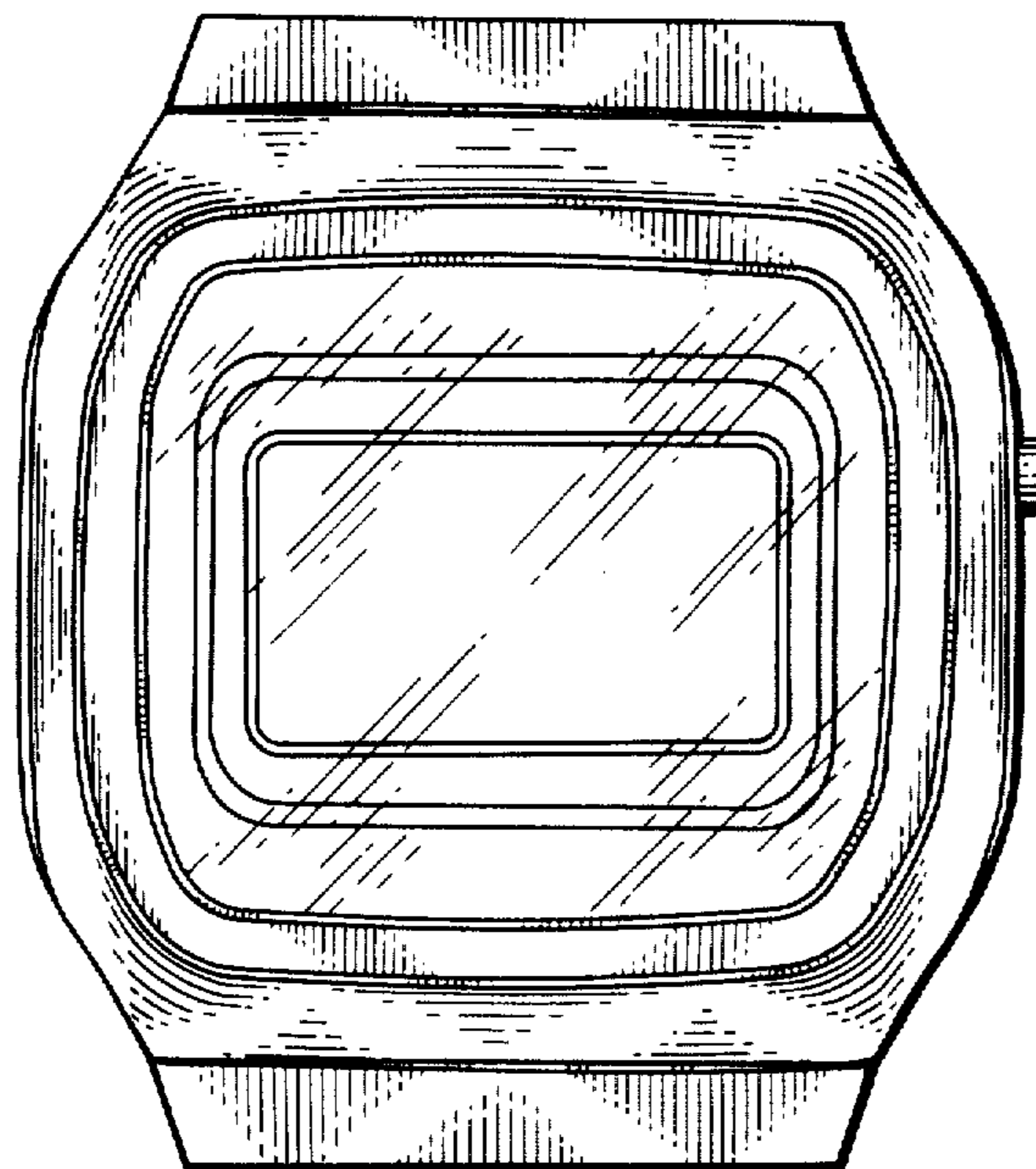


FIG. 3

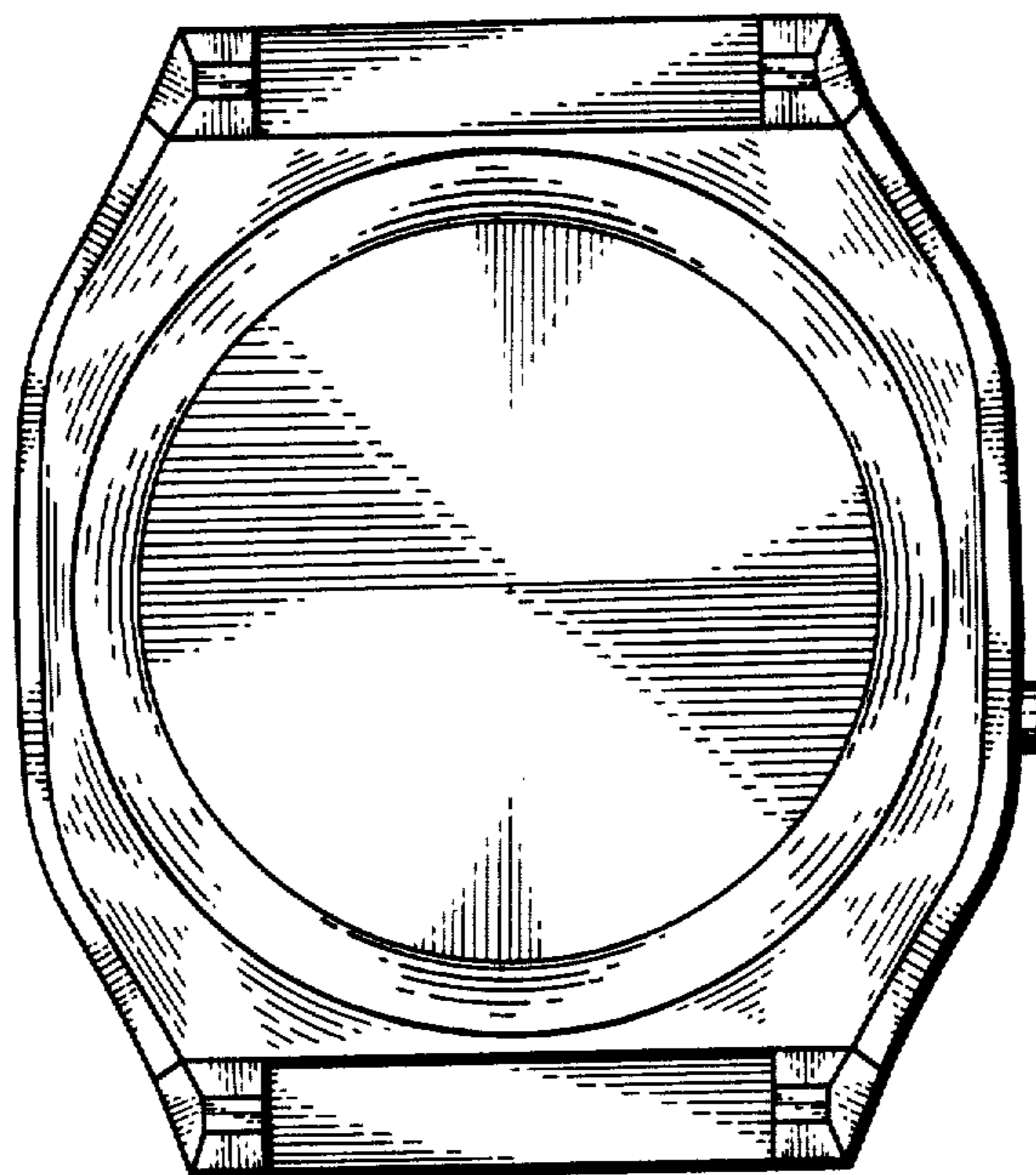


FIG. 4

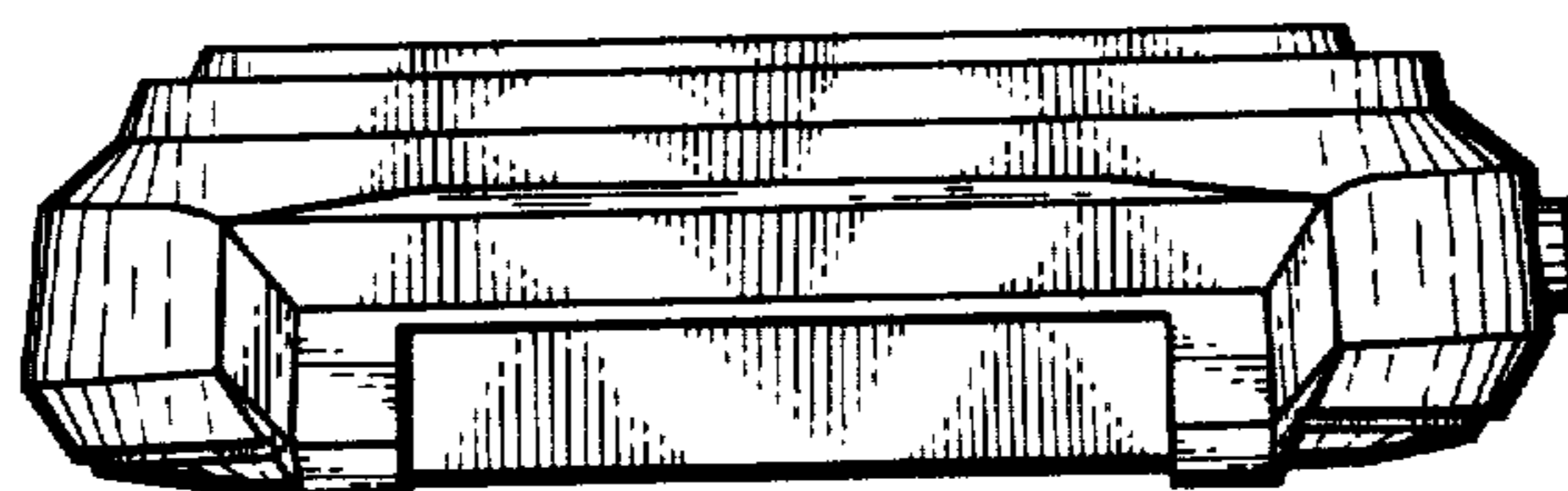


FIG. 5

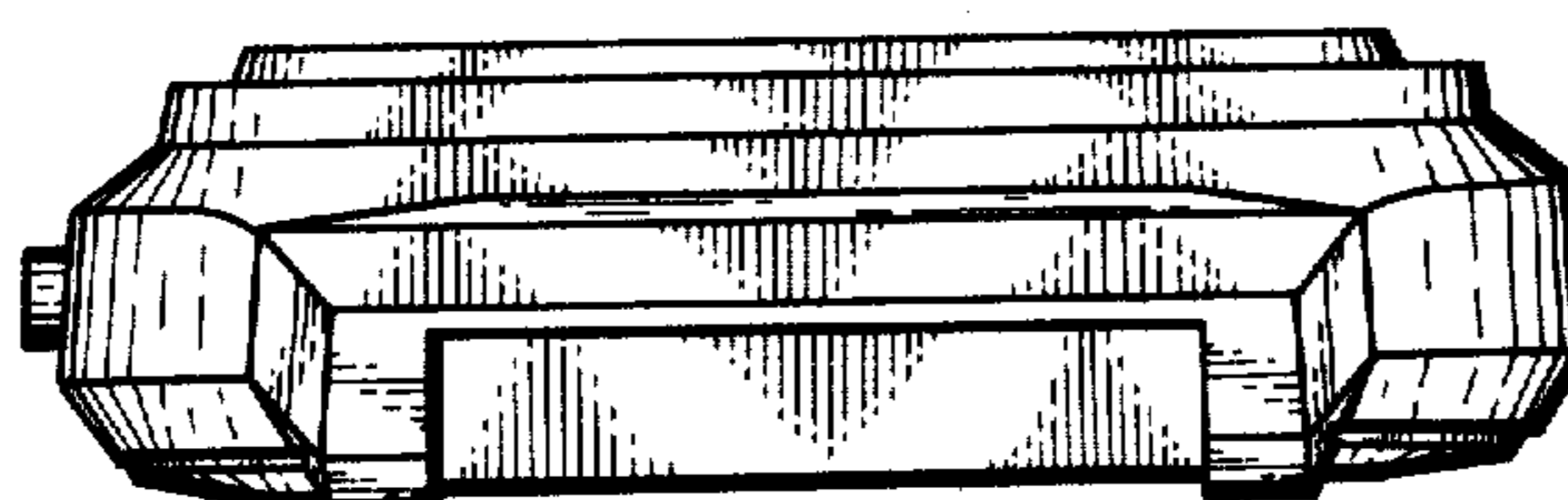


FIG. 6

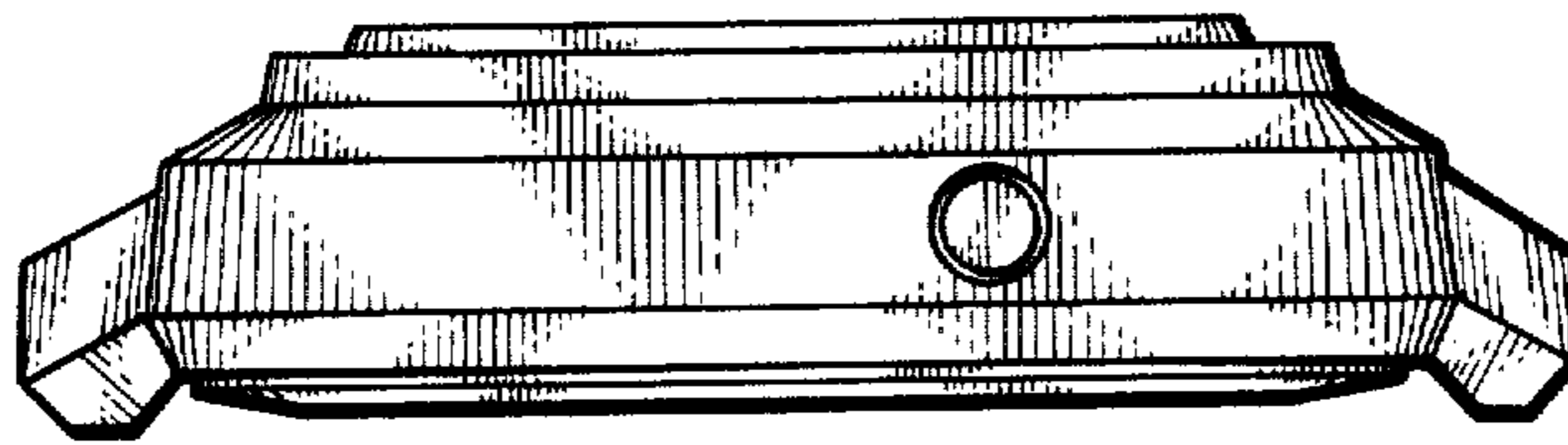


FIG. 7

