

[54] WATCH

[75] Inventor: Tetsuo Okaya, Suwa, Japan
[73] Assignee: Kabushiki Kaisha Suwa Seikosa, Tokyo, Japan

[**] Term: 3½ Years

[21] Appl. No.: 125,820

[22] Filed: Feb. 29, 1980

[30] Foreign Application Priority Data

Sep. 5, 1979 [JP] Japan 54-37175

[51] Int. Cl. D10-02

[52] U.S. Cl. D10/38

[58] Field of Search D10/30-39,
D10/2, 15, 31, 122-126; 368/237, 241-242, 276,
285, 82-84

[56] References Cited

U.S. PATENT DOCUMENTS

4,261,049 4/1981 Komiyama 368/239 X

OTHER PUBLICATIONS

Jeweler's Circular-Keystone-2/79-p. 294-Digital Watches.

Jeweler's Circular-Keystone-3/79-p. 66-Digital Watches.

Jeweler's Circular-Keystone-2/79-p. 187-Dig. Watch.

Primary Examiner—Nelson C. Holtje
Attorney, Agent, or Firm—Blum, Kaplan, Friedman, Silberman & Beran

[57] CLAIM

The ornamental design for a watch, as shown and described.

DESCRIPTION

FIG. 1 is a front elevational view of a watch showing my new design;

FIG. 2 is a top plan view thereof;

FIG. 3 is a left side elevational view thereof;

FIG. 4 is a right side elevational view thereof;

FIG. 5 is a bottom plan view thereof;

FIG. 6 is a rear elevational view thereof; and

FIG. 7 is a top plan view of another embodiment of my new design of FIGS. 1-6, all other views are identical thereto.

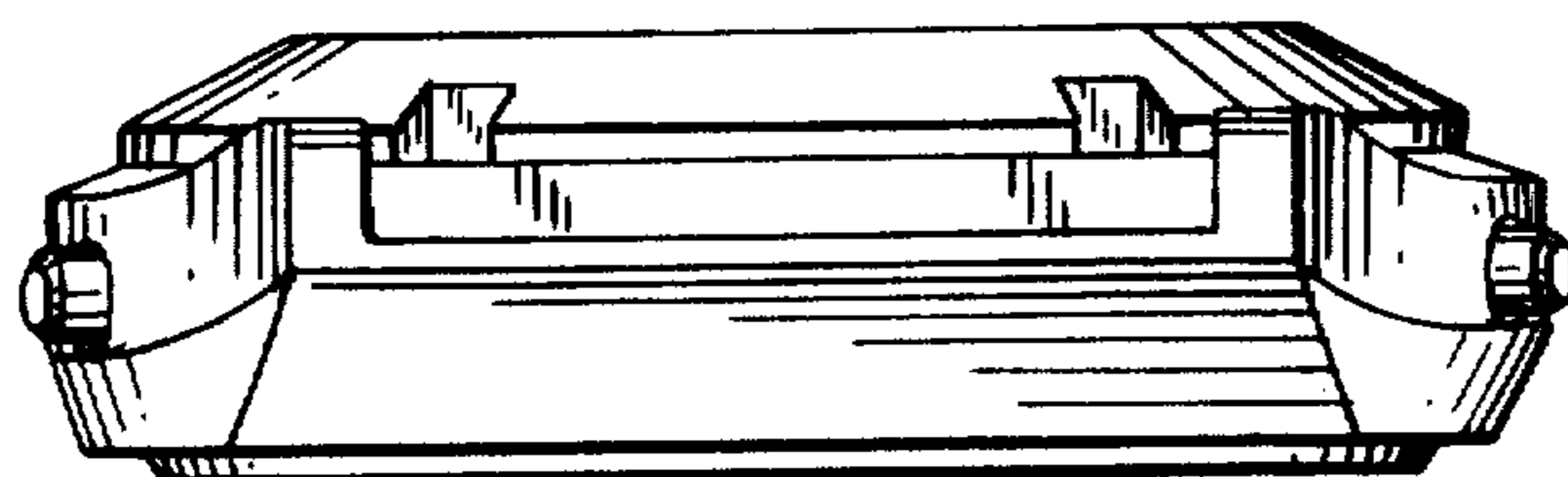


FIG. 1



FIG. 4

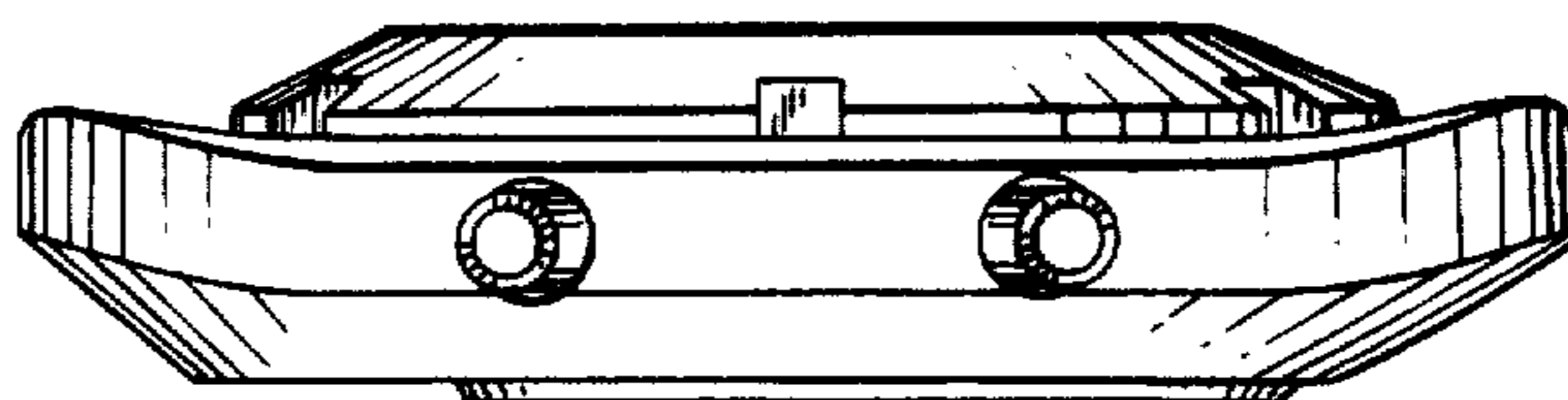


FIG. 2

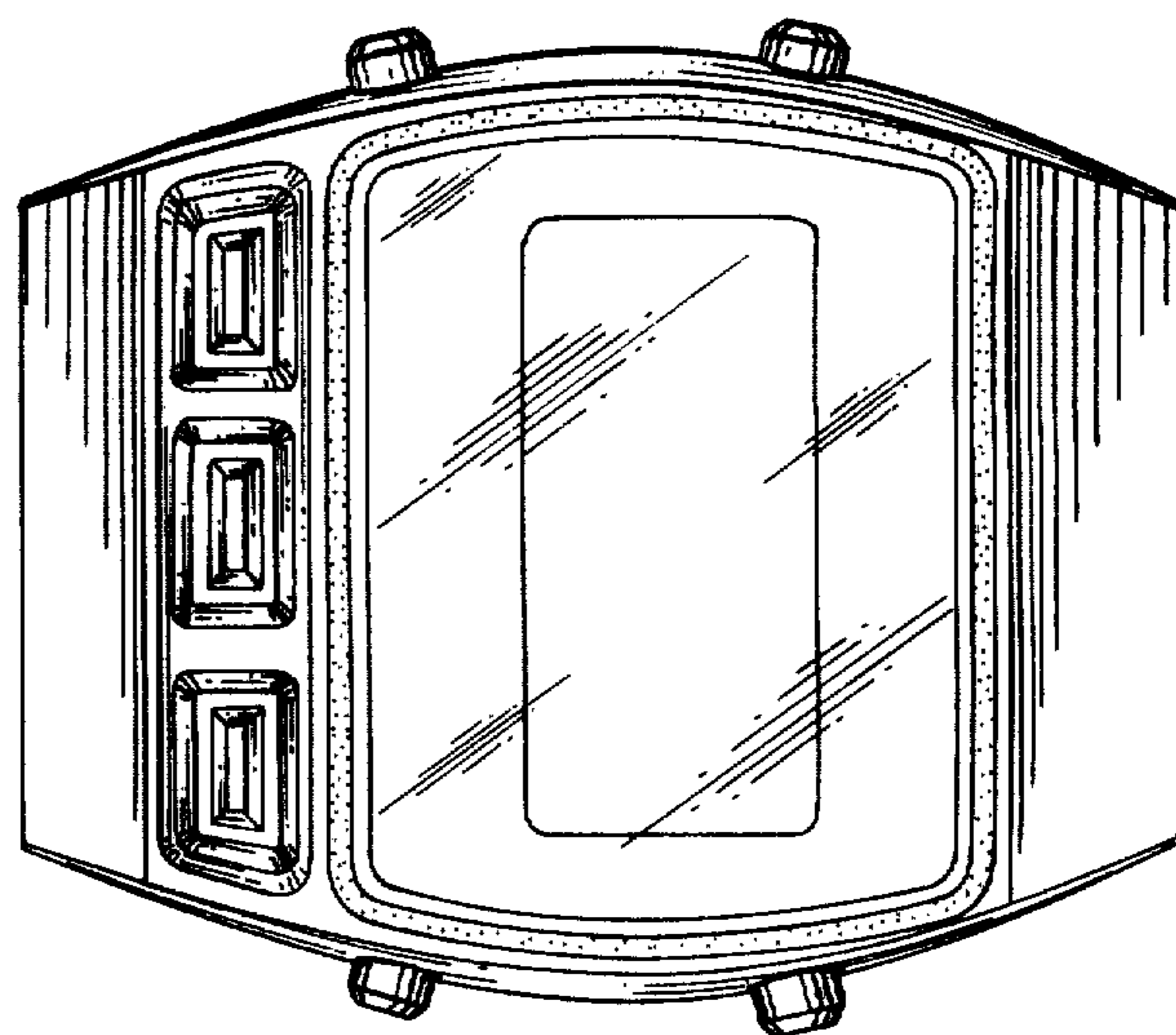


FIG. 3

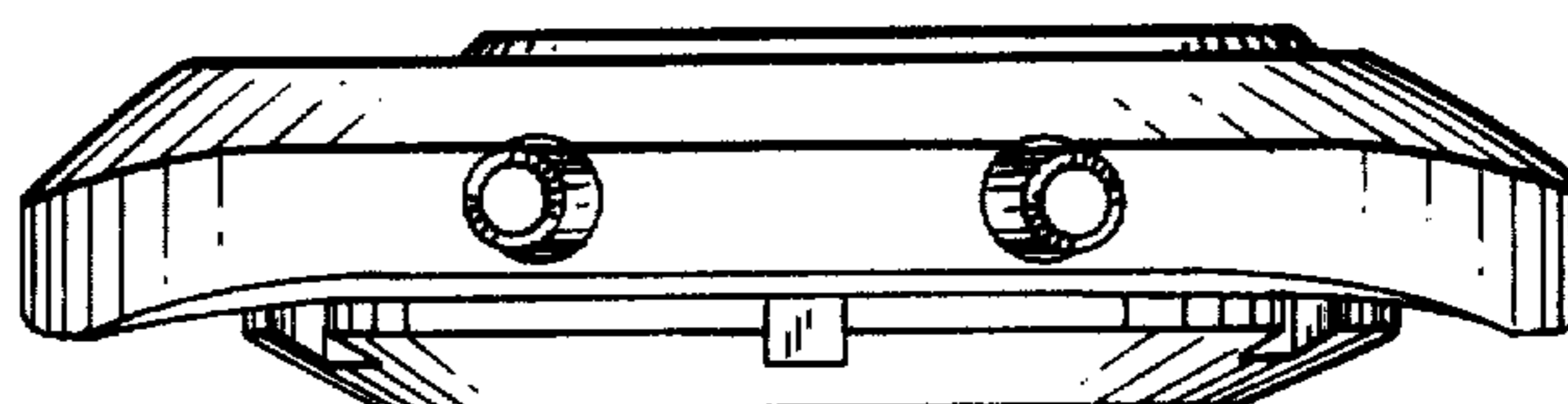


FIG. 5

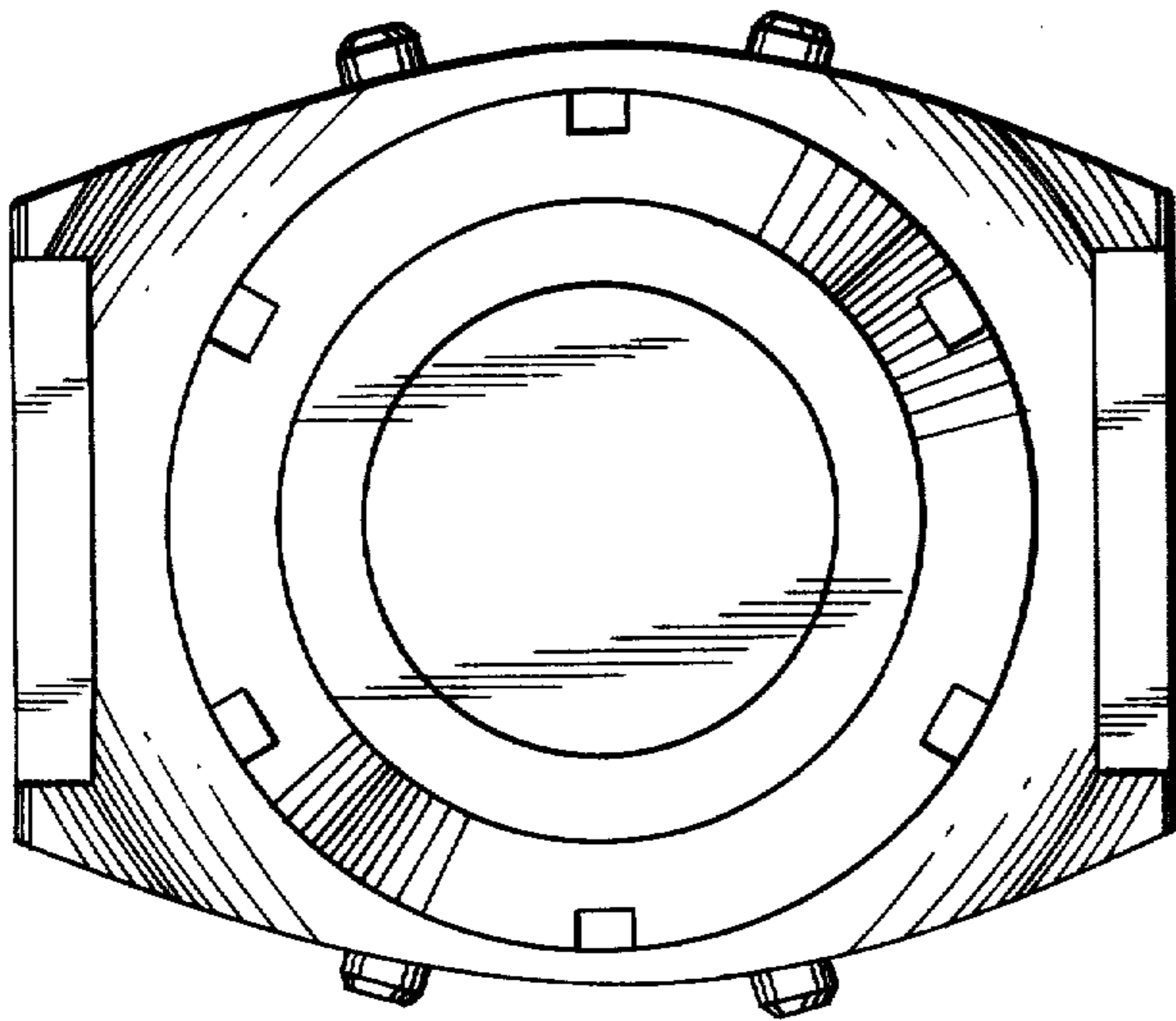


FIG. 7

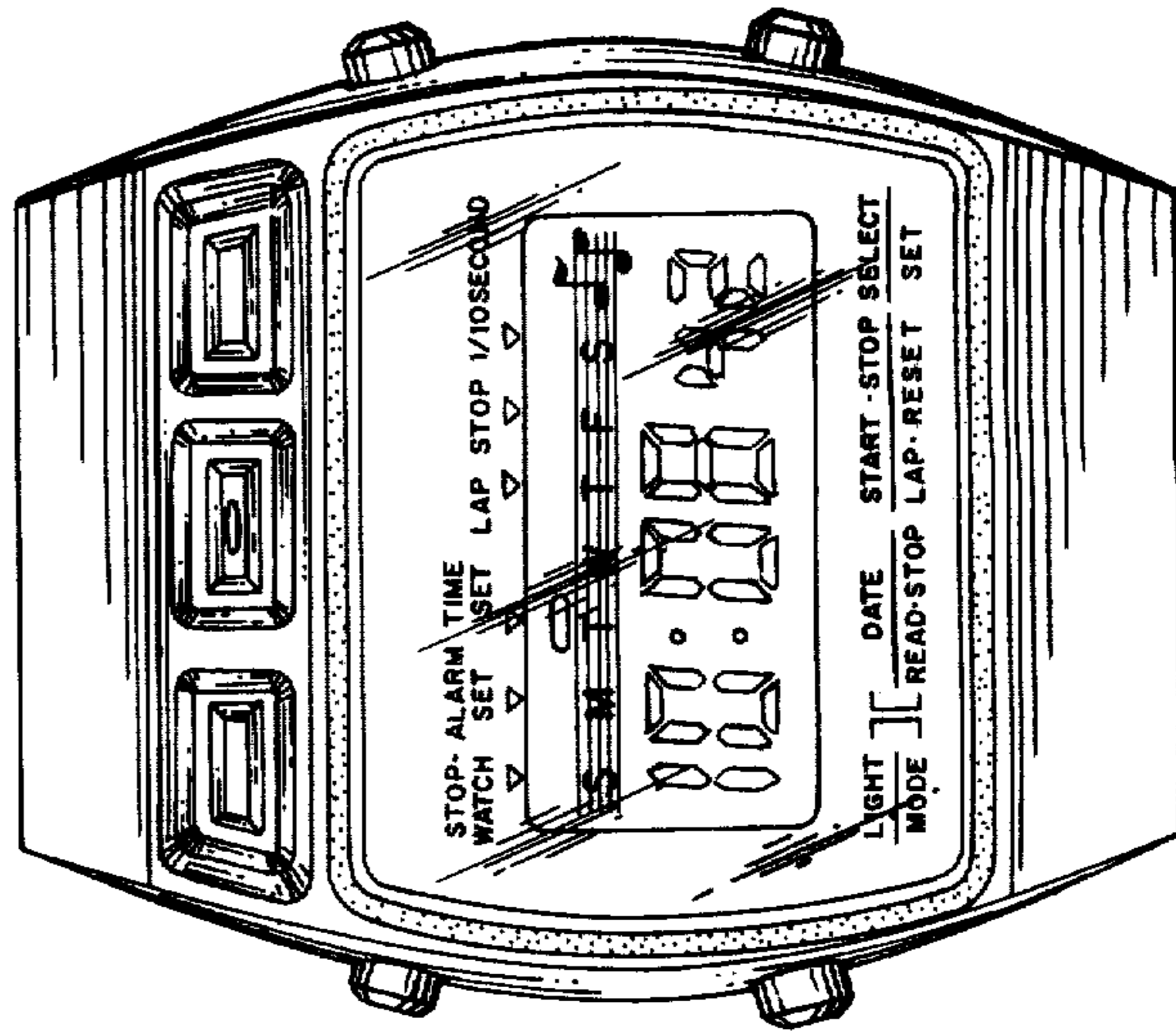


FIG. 6

