

[54] CONTAINER FOR A PLURALITY OF CAPACITORS

[76] Inventor: A. Franklin LaBarbara, 6 Northcreek Rd., Eatons Neck, N.Y. 11768

[**] Term: 14 Years

[21] Appl. No.: 182,066

[22] Filed: Aug. 28, 1980

[51] Int. Cl. D9-03

[52] U.S. Cl. D9/424

[58] Field of Search 286/328, 330, 443; D9/306, 414, 419, 424

[56] References Cited

U.S. PATENT DOCUMENTS

- D. 136,567 10/1943 Watt D9/414
- D. 193,034 6/1962 Hyman D9/424
- D. 237,362 10/1975 Nowicki et al. D9/414

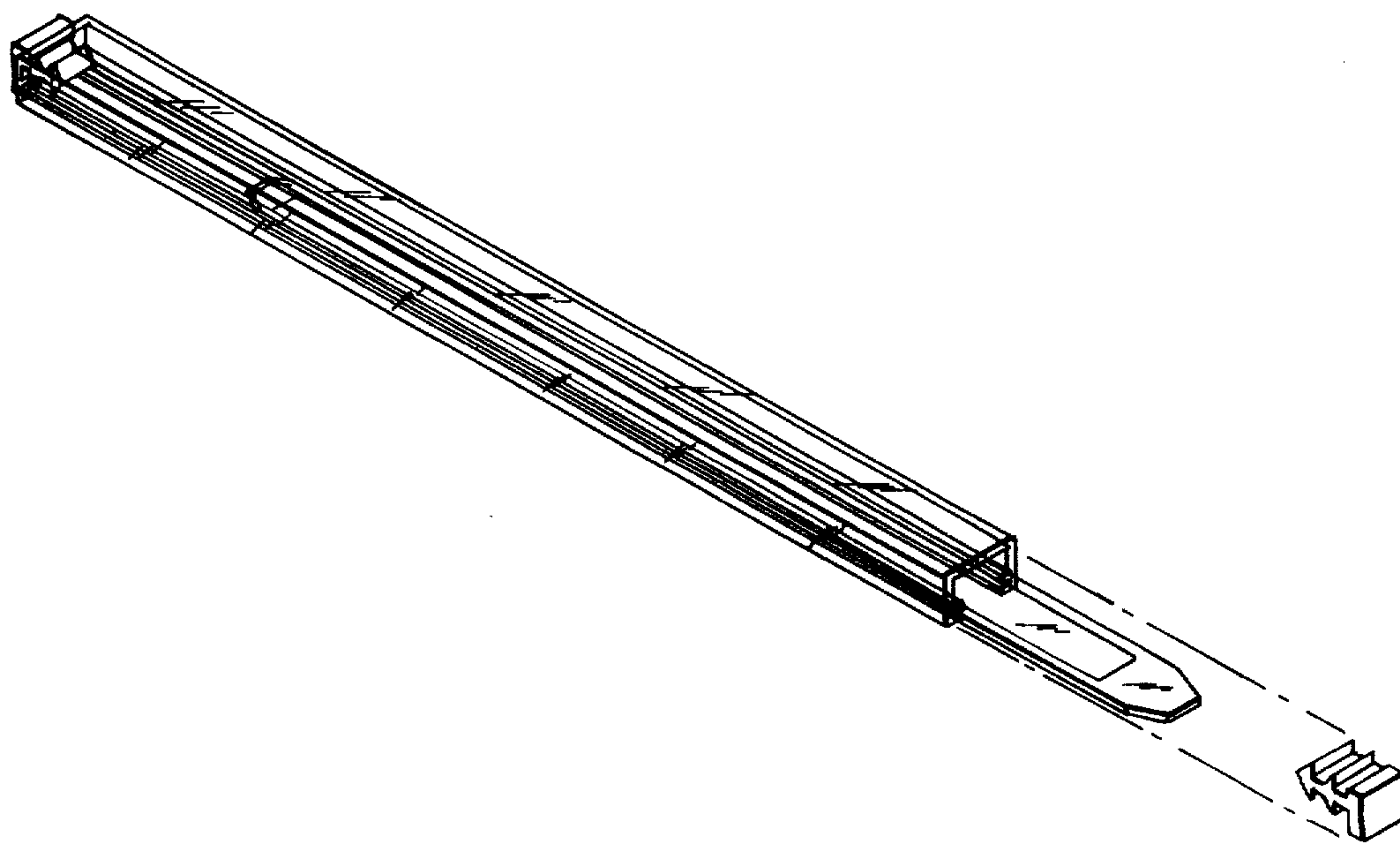
Primary Examiner—Robert C. Spangler

[57] CLAIM

The ornamental design for a container for a plurality of capacitors, as shown and described.

DESCRIPTION

FIG. 1 is an exploded perspective view of a container for a plurality of capacitors showing my new design; FIG. 2 is a top plan view thereof; FIG. 3 is a front elevation view thereof; FIG. 4 is a right side elevation view thereof; and FIG. 5 is a bottom plan view thereof.



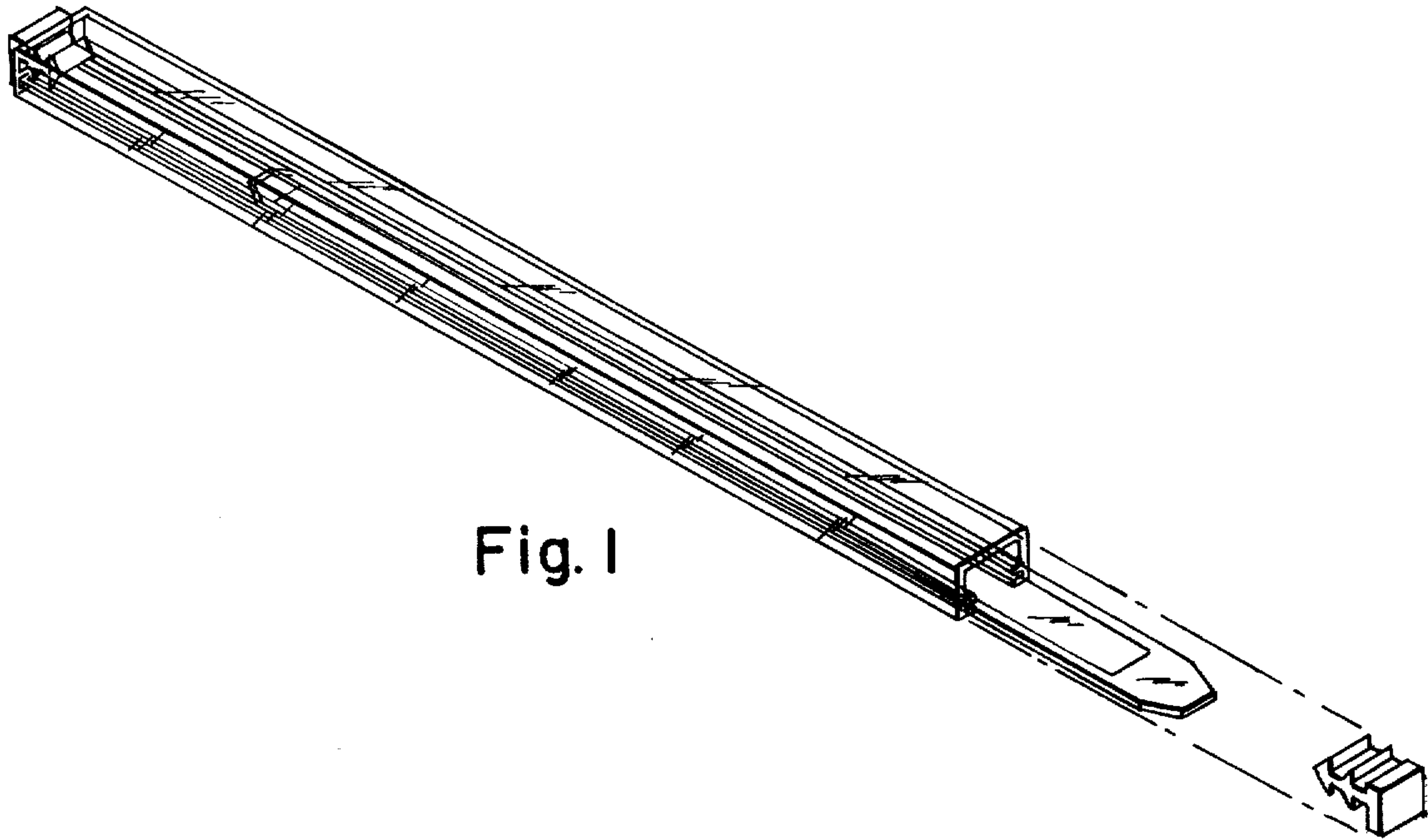


Fig. 1

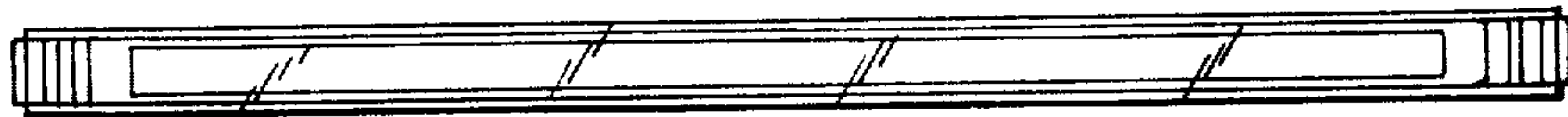


Fig. 2

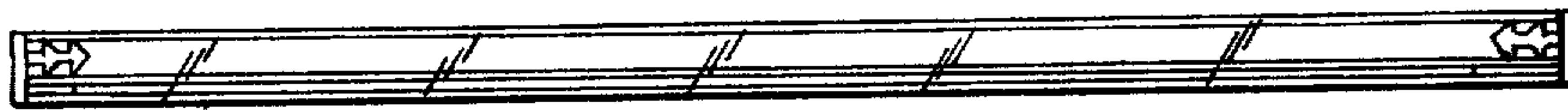


Fig. 3



Fig. 4

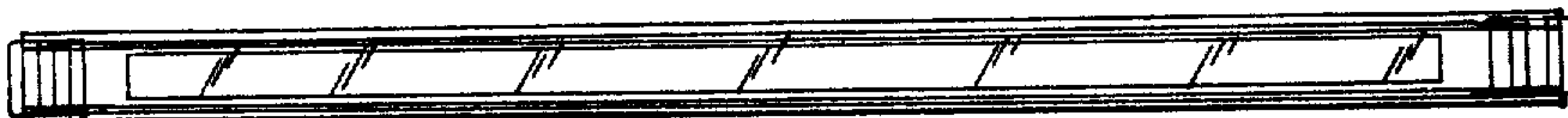


Fig. 5