

[54] **COMBINED EGG BOX AND COVER**
 [75] Inventor: **Alain Villotte**, Paris, France
 [73] Assignee: **Societe Europeenne pour la Transformation des Produits de Synthese Seprosy**, Paris, France
 [**] Term: **14 Years**
 [21] Appl. No.: **174,529**
 [22] Filed: **Aug. 1, 1980**
 [51] Int. Cl. **D9-03**
 [52] U.S. Cl. **D9/345**
 [58] Field of Search 229/2.5 EC, 44 EC; D9/341, 345, 346, 423, 424, 425, 426, 431, 432

3,372,856 3/1968 Elhart et al. D9/341 X
 4,057,188 11/1977 Steinhardt 229/2.5 EC
 4,205,777 6/1980 Brown 229/44 EC

Primary Examiner—Robert C. Spangler
Attorney, Agent, or Firm—Young & Thompson

[57] **CLAIM**

The ornamental design for a combined egg box and cover, as shown and described.

DESCRIPTION

FIG. 1 is a top perspective view of a combined egg box and cover, showing my new design;
 FIG. 2 is a side elevational view thereof, the opposite side being identical in appearance;
 FIG. 3 is an end elevational view thereof, the opposite end being identical in appearance;
 FIG. 4 is a top plan view thereof;
 FIG. 5 is a bottom plan view thereof; and
 FIG. 6 is an exploded top perspective view thereof.
 The material of the egg box is of substantially uniform thickness throughout, so that the top plan view of the interior of the box is substantially the reverse of FIG. 5.

[56] **References Cited**
U.S. PATENT DOCUMENTS

D. 262,355 12/1981 Oakley D9/345
 2,813,652 11/1957 Parsons D9/345
 3,193,177 7/1965 Crabtree 229/44 EC
 3,217,961 11/1965 Hornbostel, Jr. 229/2.5 EC

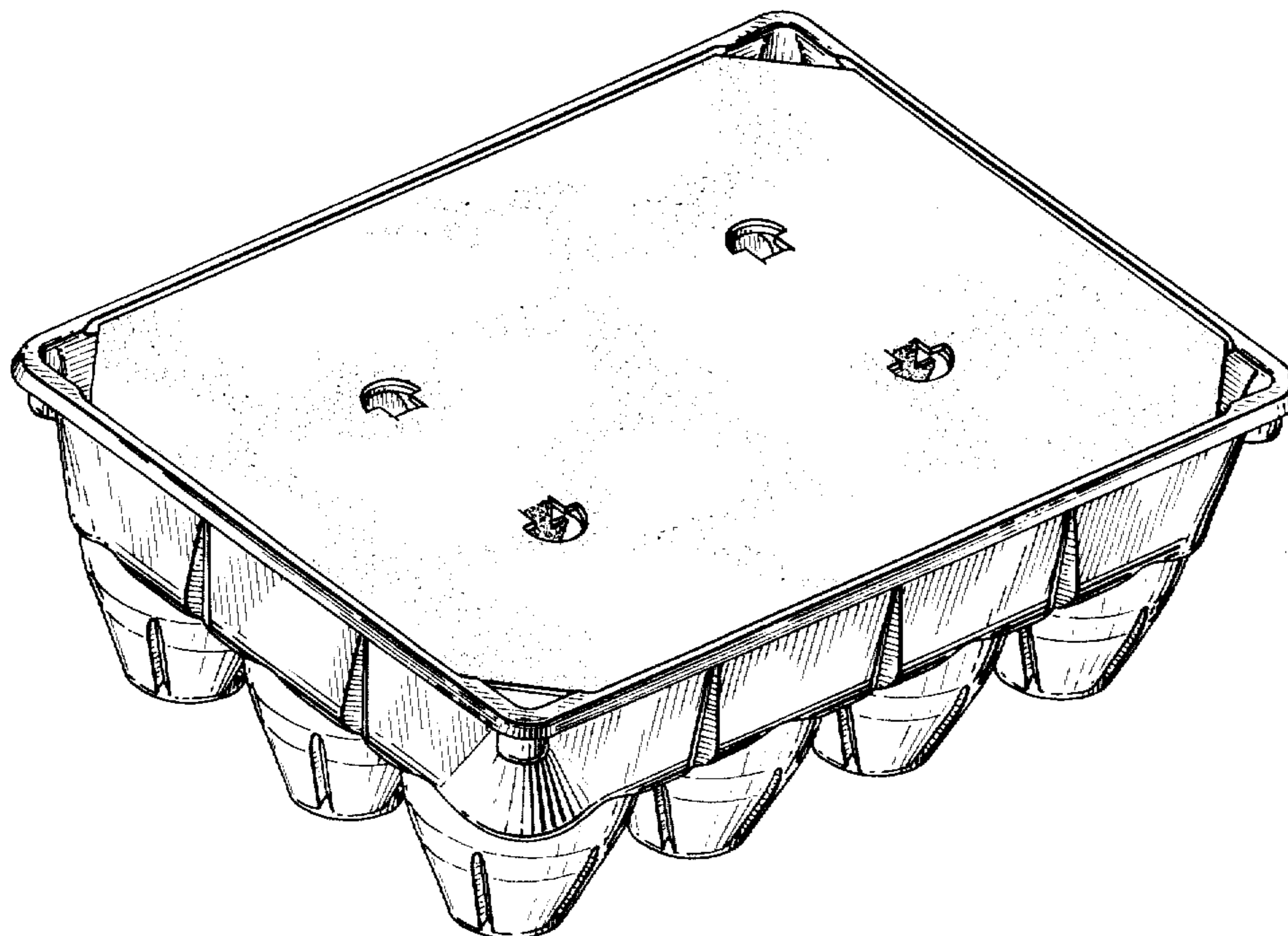


FIG. 1

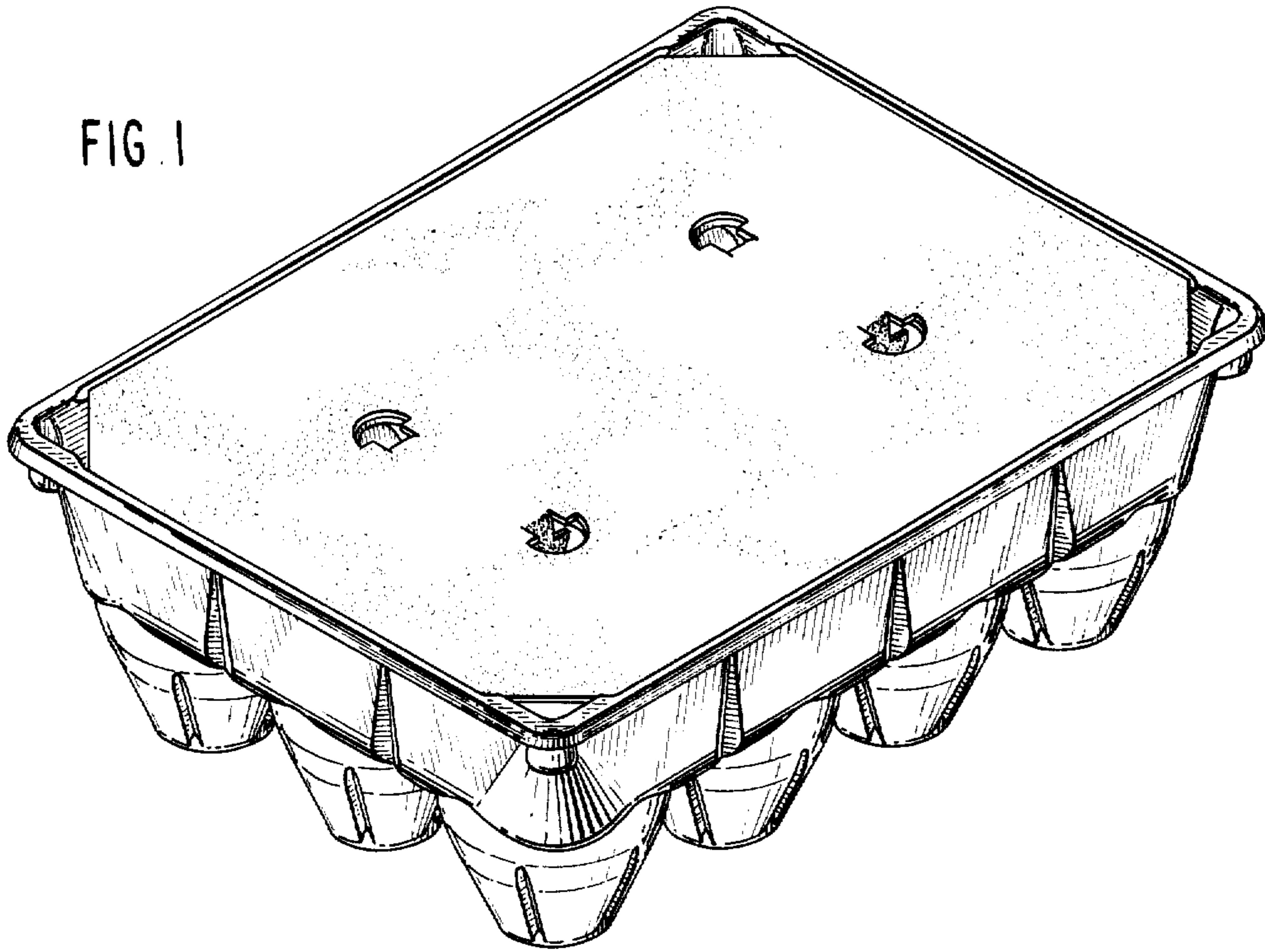


FIG. 2

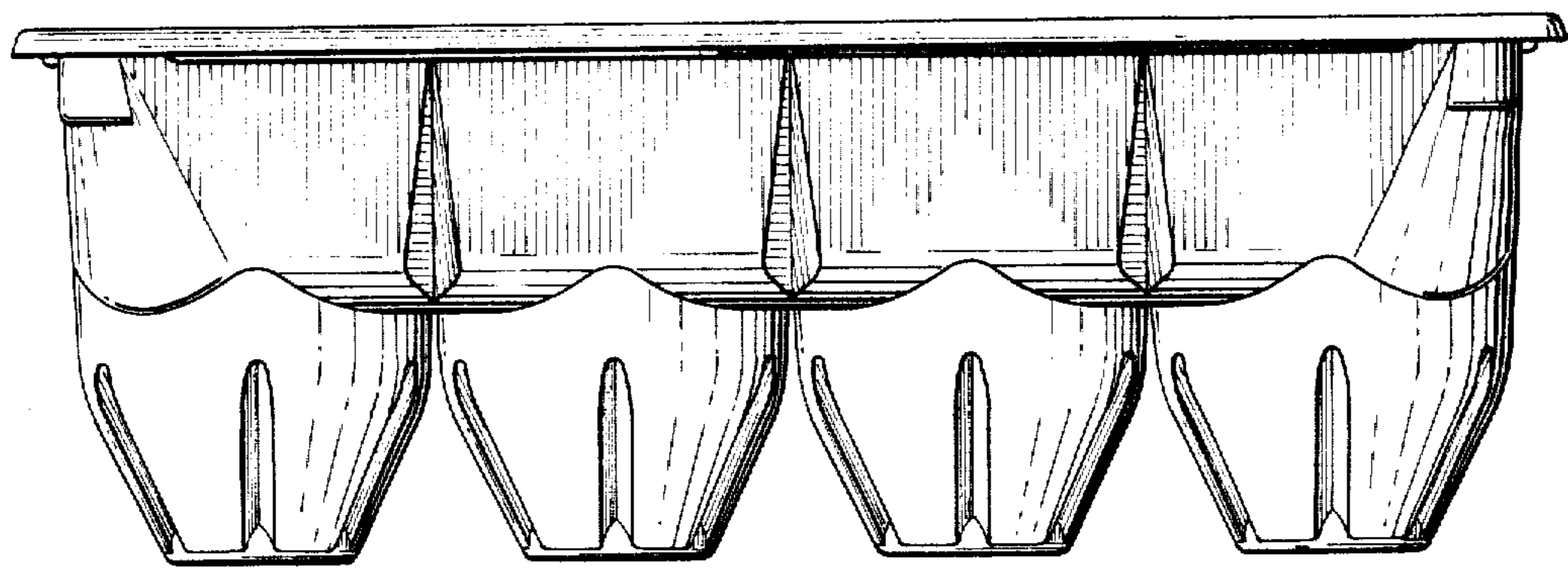
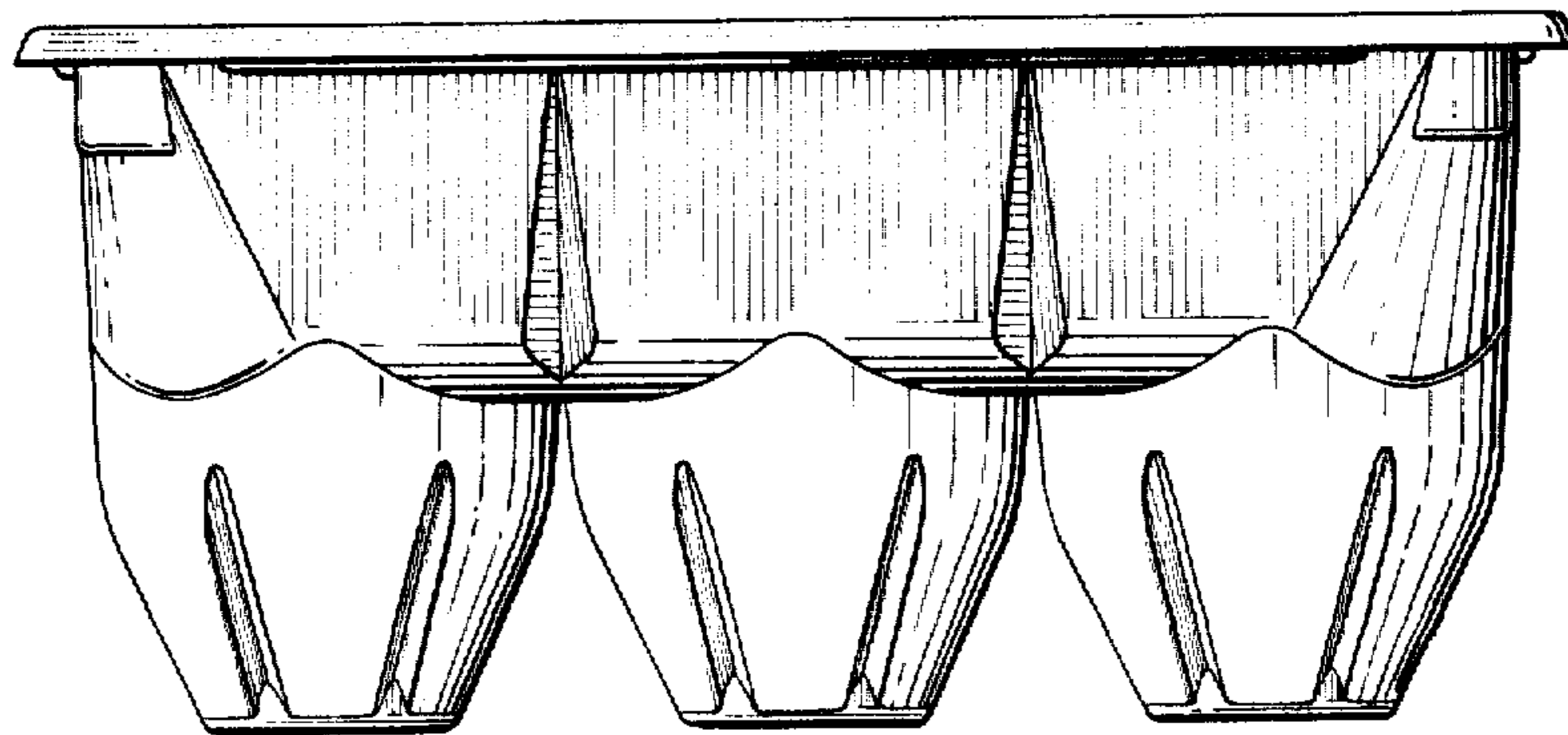


FIG. 3



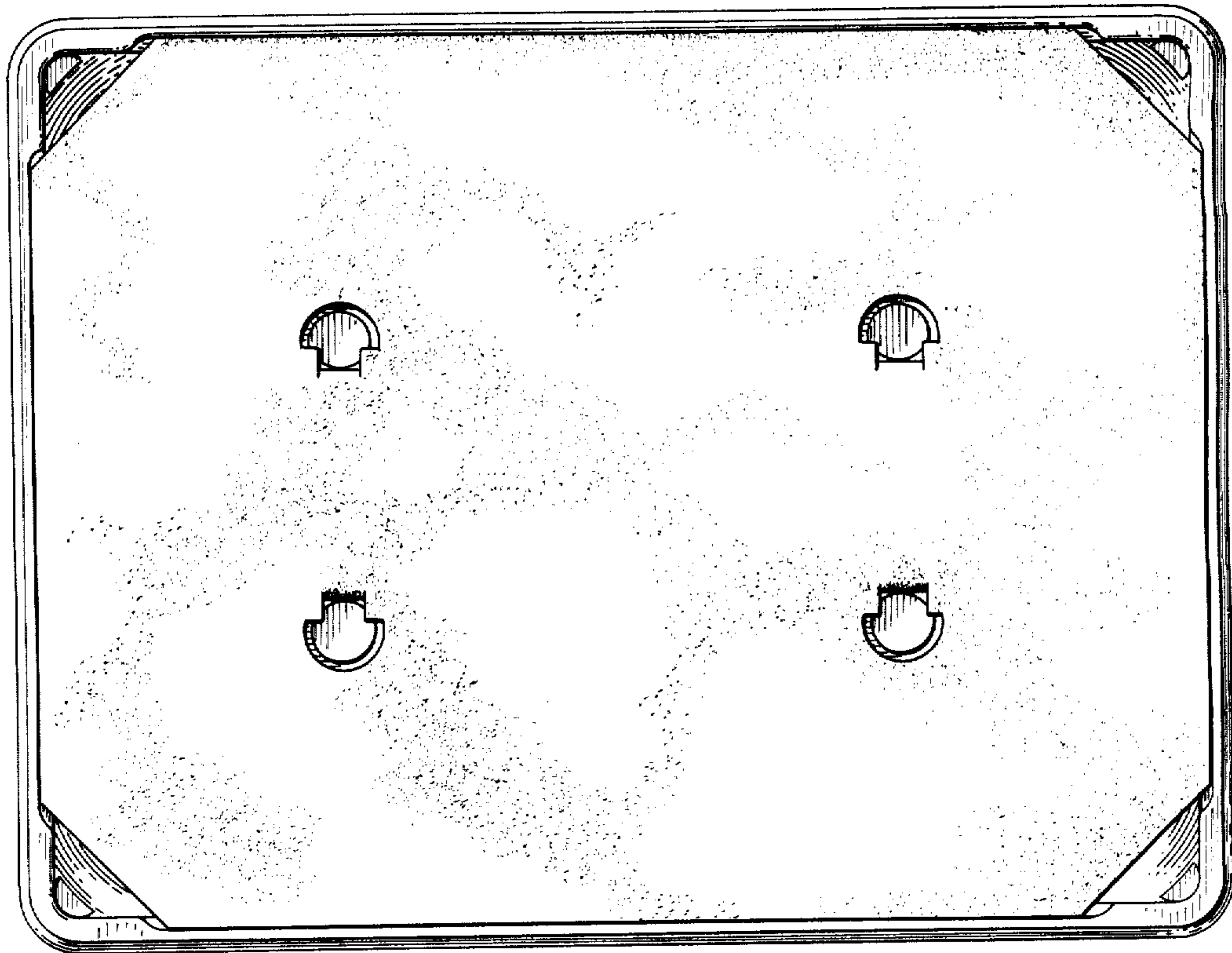
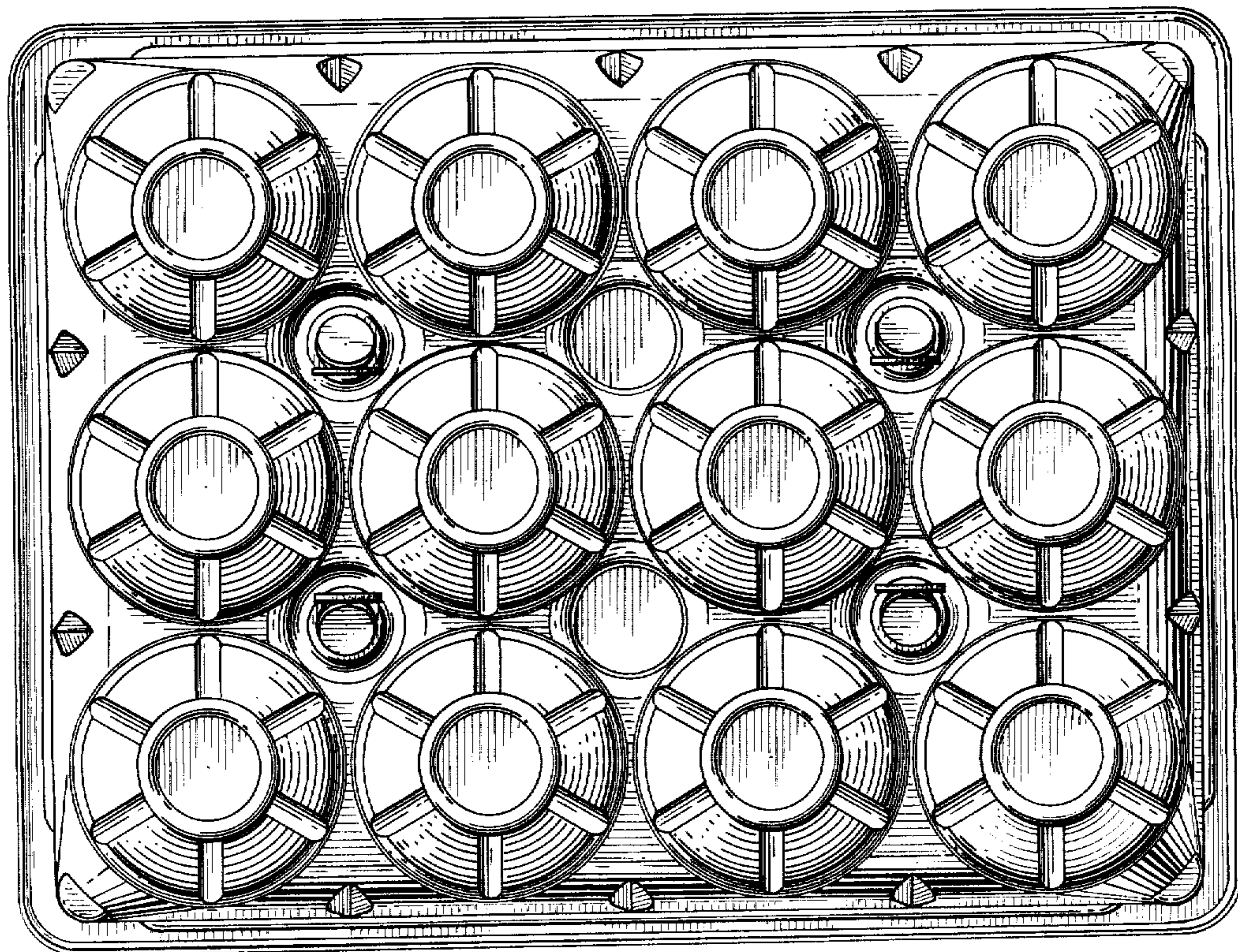


FIG. 4

FIG. 5



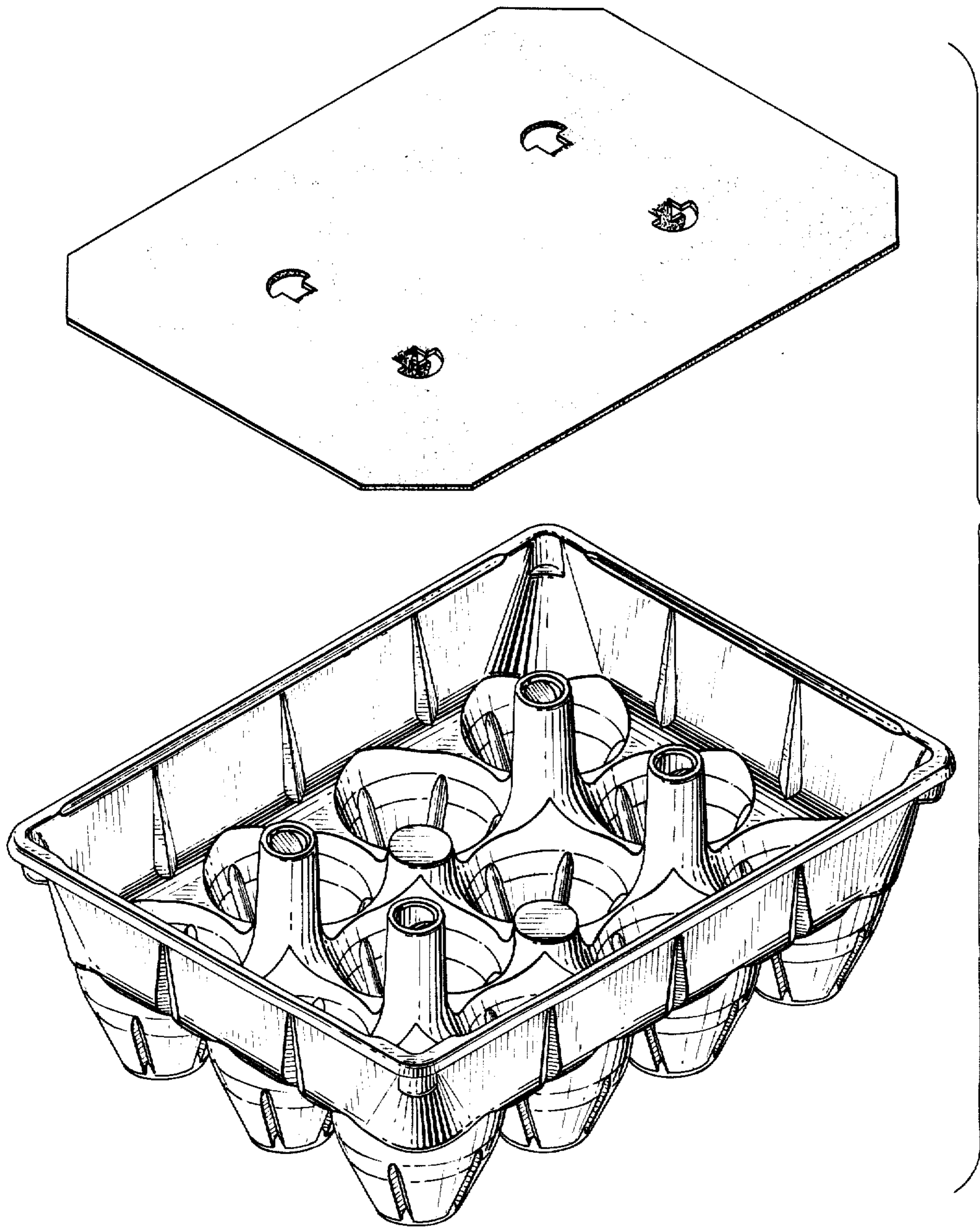


FIG. 6