

[54] PICTURE HANGING BRACKET

[76] Inventor: Dorian J. Swartz, 4802 Brookway Ave., Yorba Linda, Calif. 92686

[\*\*] Term: 14 Years

[21] Appl. No.: 176,391

[22] Filed: Aug. 8, 1980

[51] Int. Cl. .... D8-08

[52] U.S. Cl. .... D8/373; D8/367; D8/371

[58] Field of Search ..... 248/466, 475 R, 476, 248/477, 467, 480, 489, 495; 40/152.1, 158 R; D6/232; D8/367, 373, 371

[56] References Cited

U.S. PATENT DOCUMENTS

D. 208,580	9/1967	Margulis .....	D8/373
3,261,578	7/1966	Himebaugh .....	248/489
4,069,998	1/1978	Rytting .....	248/476
4,171,117	10/1979	Prochaska .....	248/495

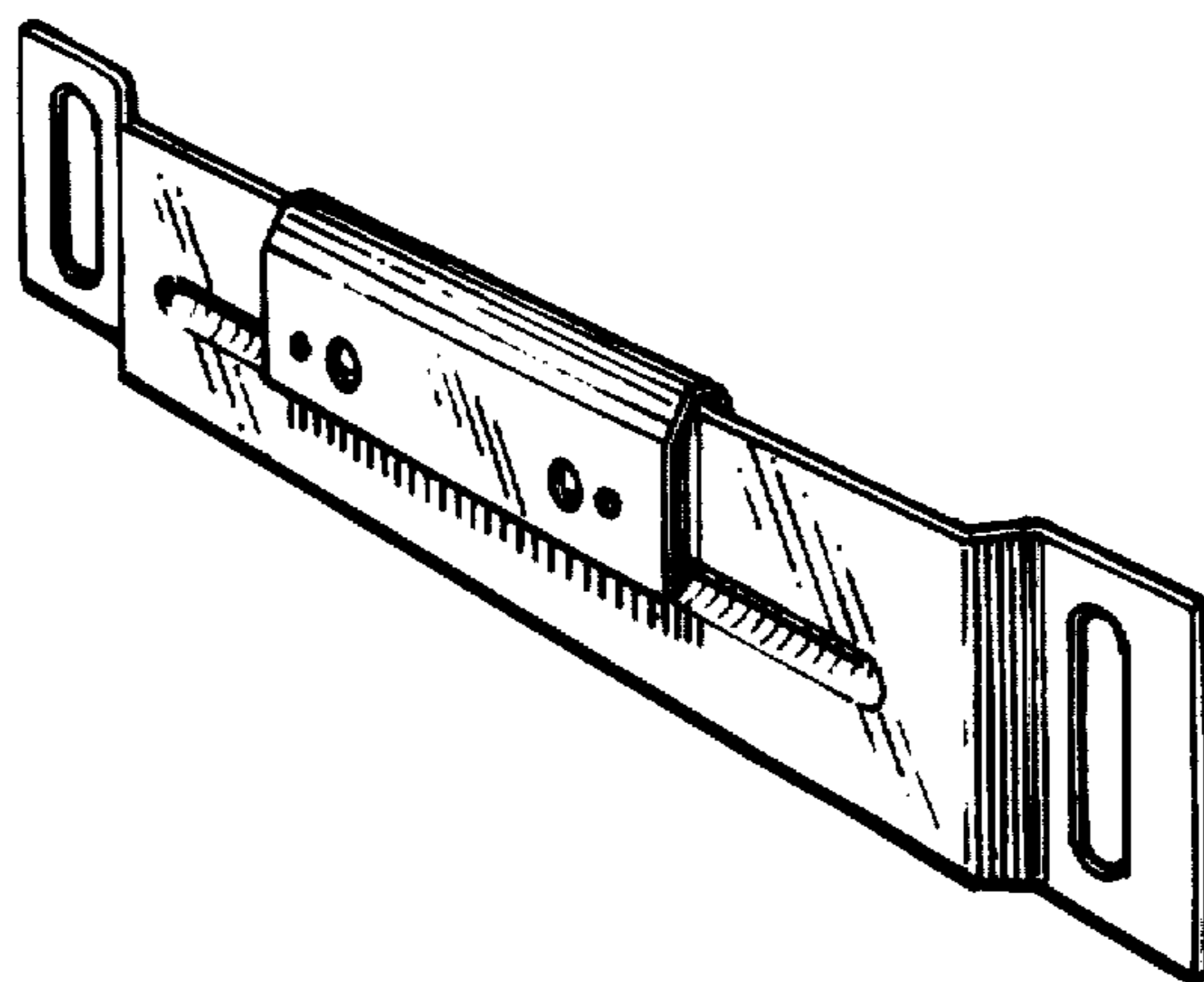
Primary Examiner—A. Hugo Word  
Attorney, Agent, or Firm—Grover A. Frater

[57] CLAIM

The ornamental design for a picture hanging bracket, as shown and described.

DESCRIPTION

FIG. 1 is a perspective view of my new picture hanging bracket;  
FIG. 2 is a top plan view thereof;  
FIG. 3 is a view in front elevation thereof;  
FIG. 4 is a view in rear elevation thereof;  
FIG. 5 is a bottom plan view thereof; and  
FIG. 6 is an end view thereof.



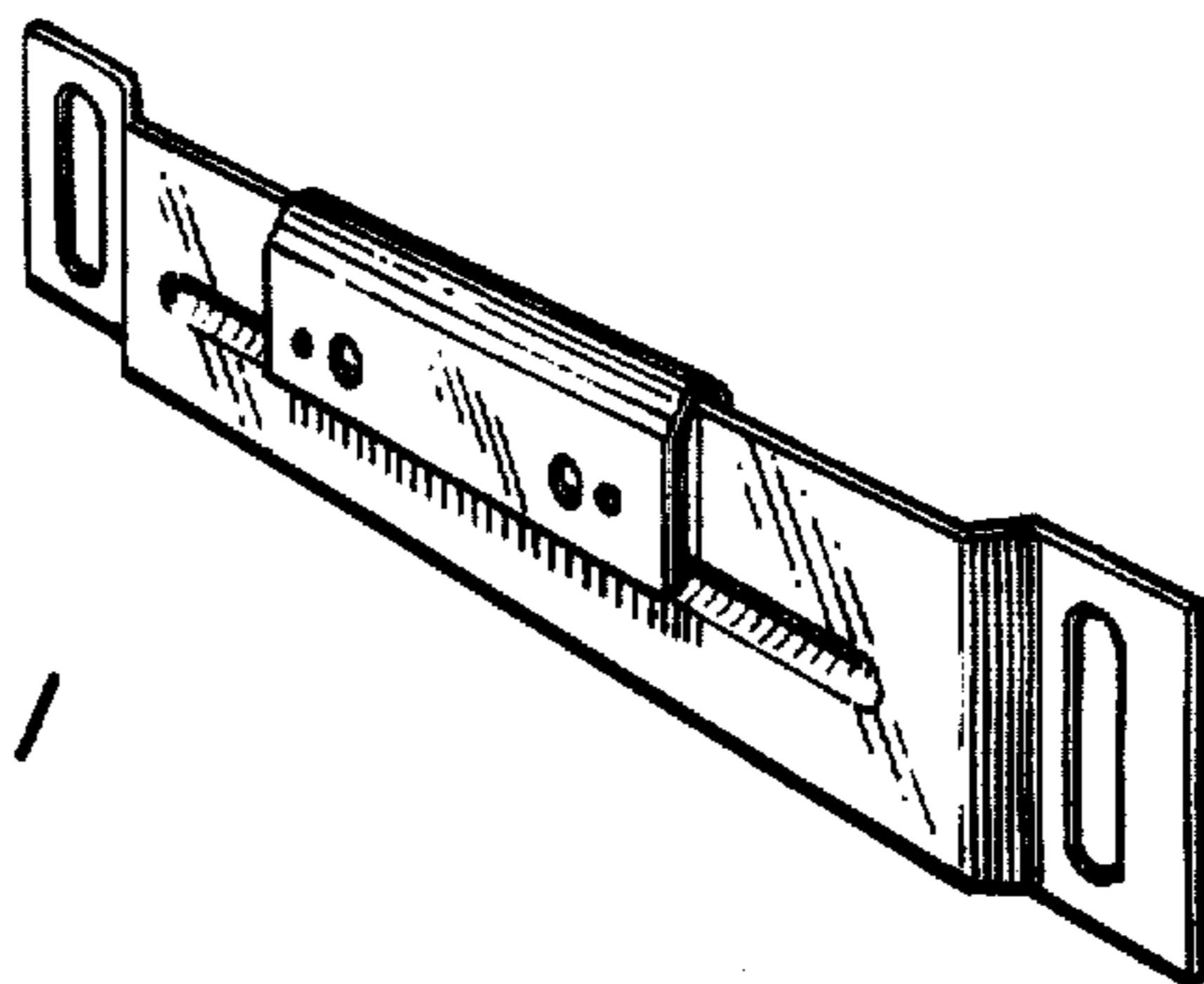


FIG. 1



FIG. 2

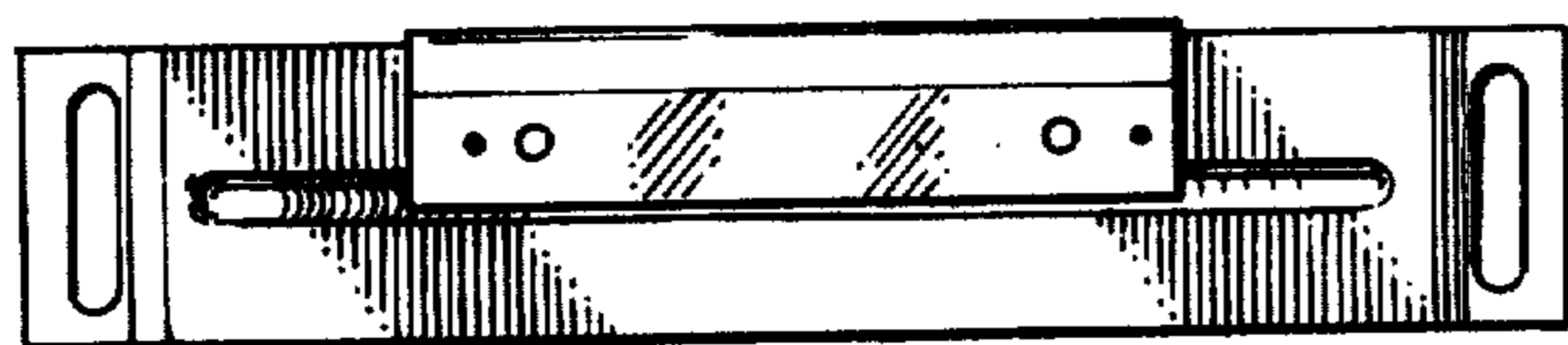


FIG. 3



FIG. 6



FIG. 4

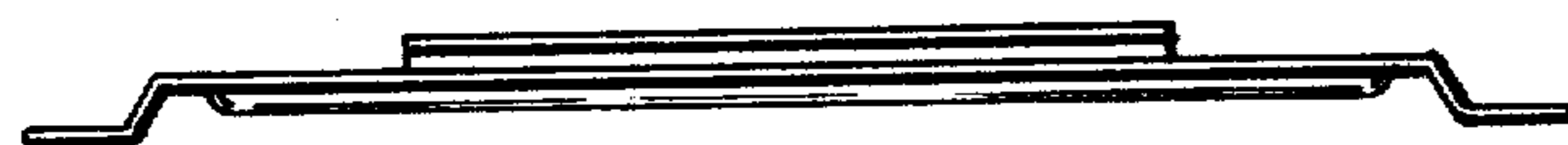


FIG. 5