

[54] ROTARY SHEAR FOR USE IN CUTTING CLOTH AND THE LIKE

[75] Inventor: John H. Buscher, East Amherst, N.Y.

[73] Assignee: Eastman Machine Company, Buffalo, N.Y.

[\*\*] Term: 14 Years

[21] Appl. No.: 161,903

[22] Filed: Jun. 23, 1980

[51] Int. Cl. .... D8-05

[52] U.S. Cl. .... D8/61

[58] Field of Search .... D8/61; 30/240

[56] References Cited

U.S. PATENT DOCUMENTS

- D. 177,063 3/1956 Nesbitt ..... D8/61
- 2,701,911 2/1955 Maescher ..... 30/240

3,906,629 9/1975 Fuchs, Jr. .... 30/240

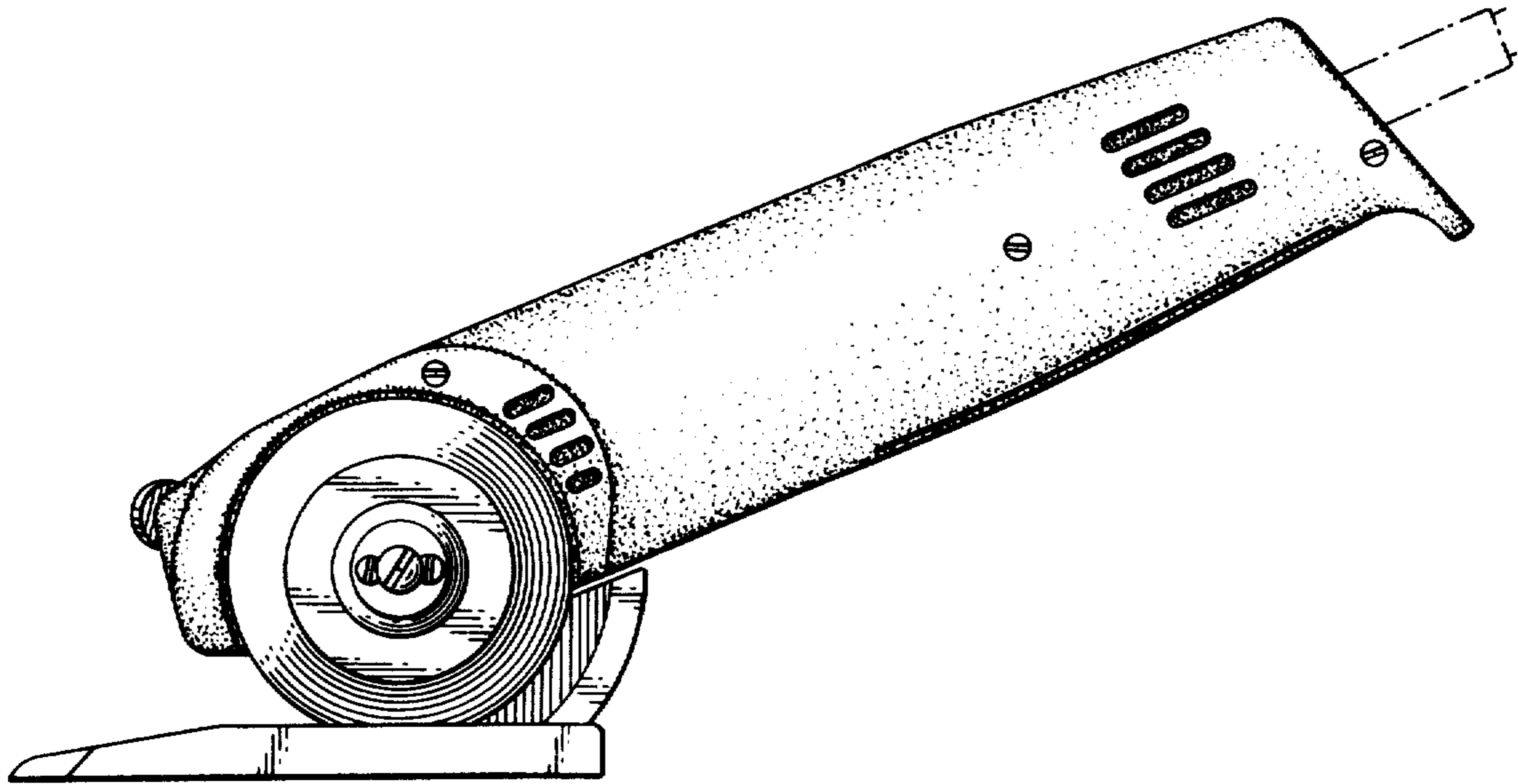
Primary Examiner—Alan P. Douglas  
Attorney, Agent, or Firm—Christel, Bean & Linihan

[57] CLAIM

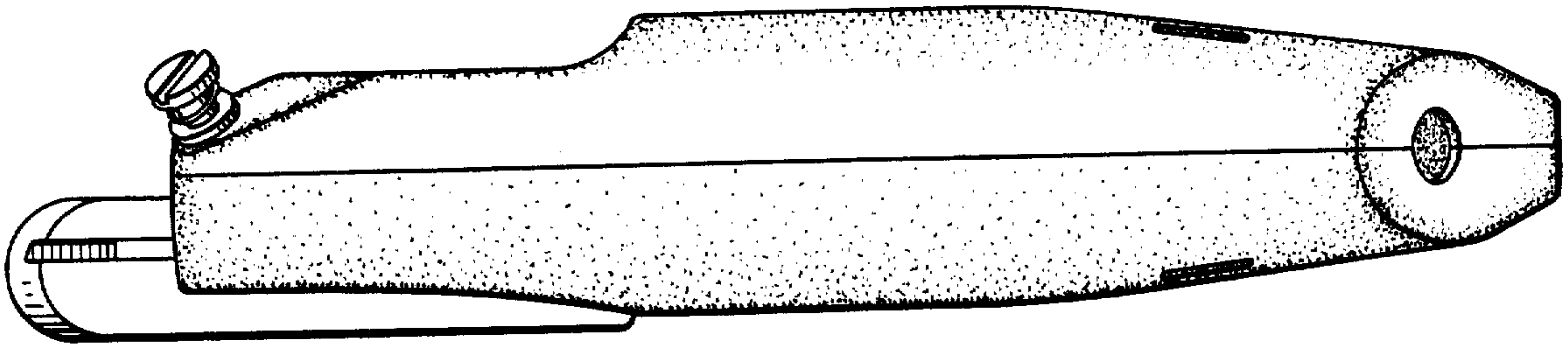
The ornamental design for a rotary shear for use in cutting cloth and the like, substantially as shown.

DESCRIPTION

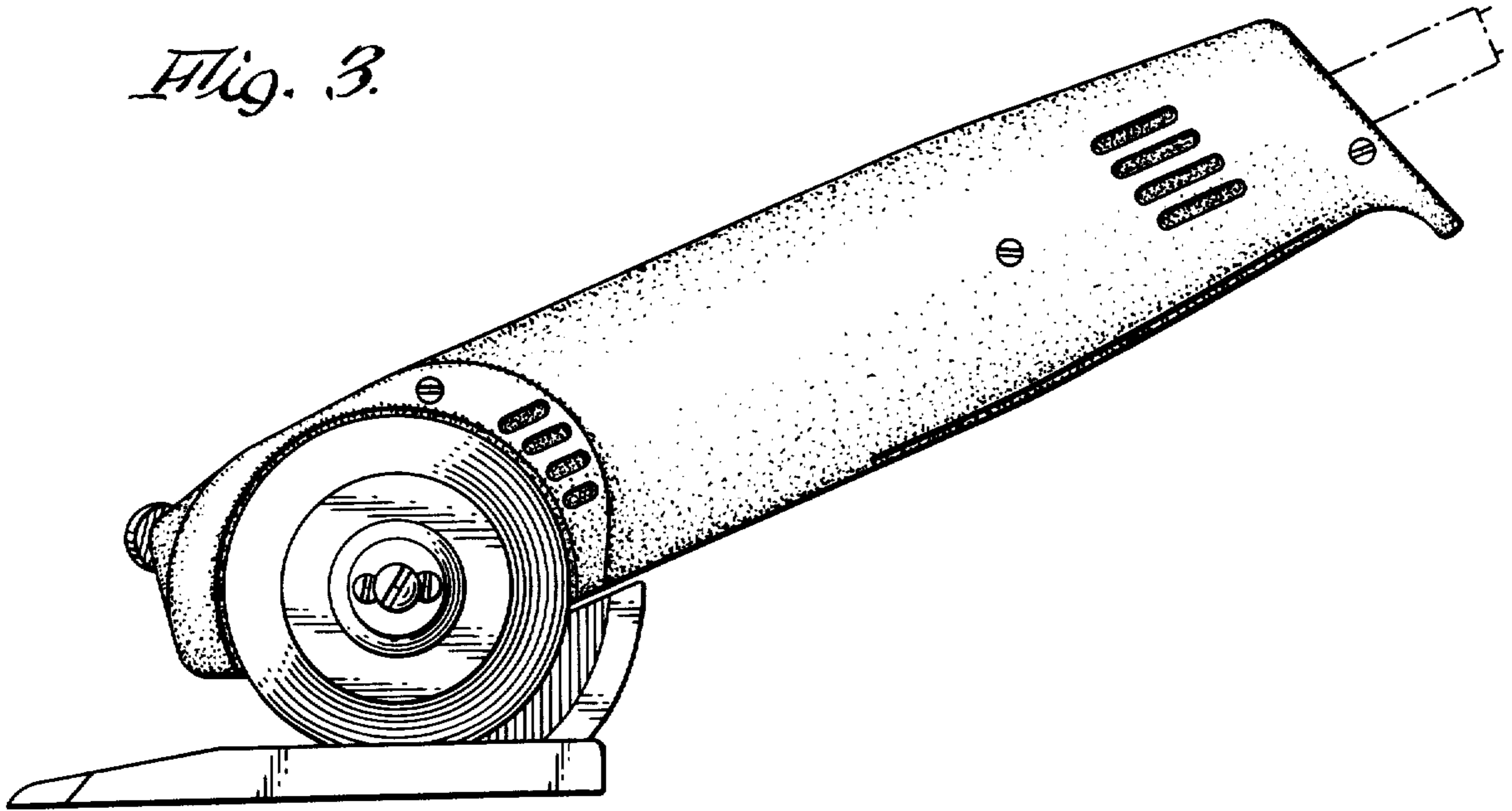
FIG. 1 is a top plan view of a rotary shear for use in cutting cloth and the like, showing my new design; FIG. 2 is a bottom plan view thereof; FIG. 3 is an elevational view thereof taken from one side as viewed in FIG. 1; FIG. 4 is an elevational view thereof taken from the opposite side as viewed in FIG. 1; FIG. 5 is an elevational view thereof taken from the left-hand end as viewed in FIG. 1; and FIG. 6 is an elevational view thereof taken from the right-hand end as viewed in FIG. 1.



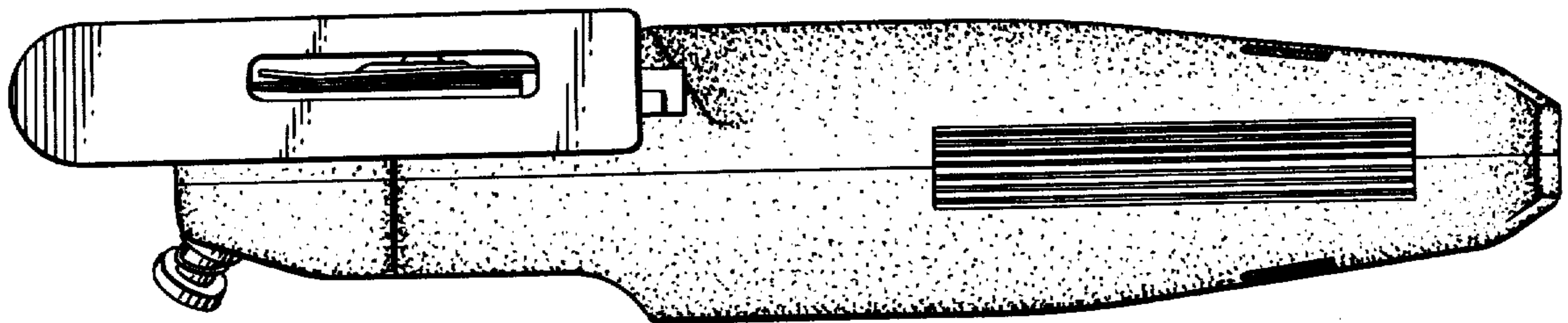
*Fig. 1.*



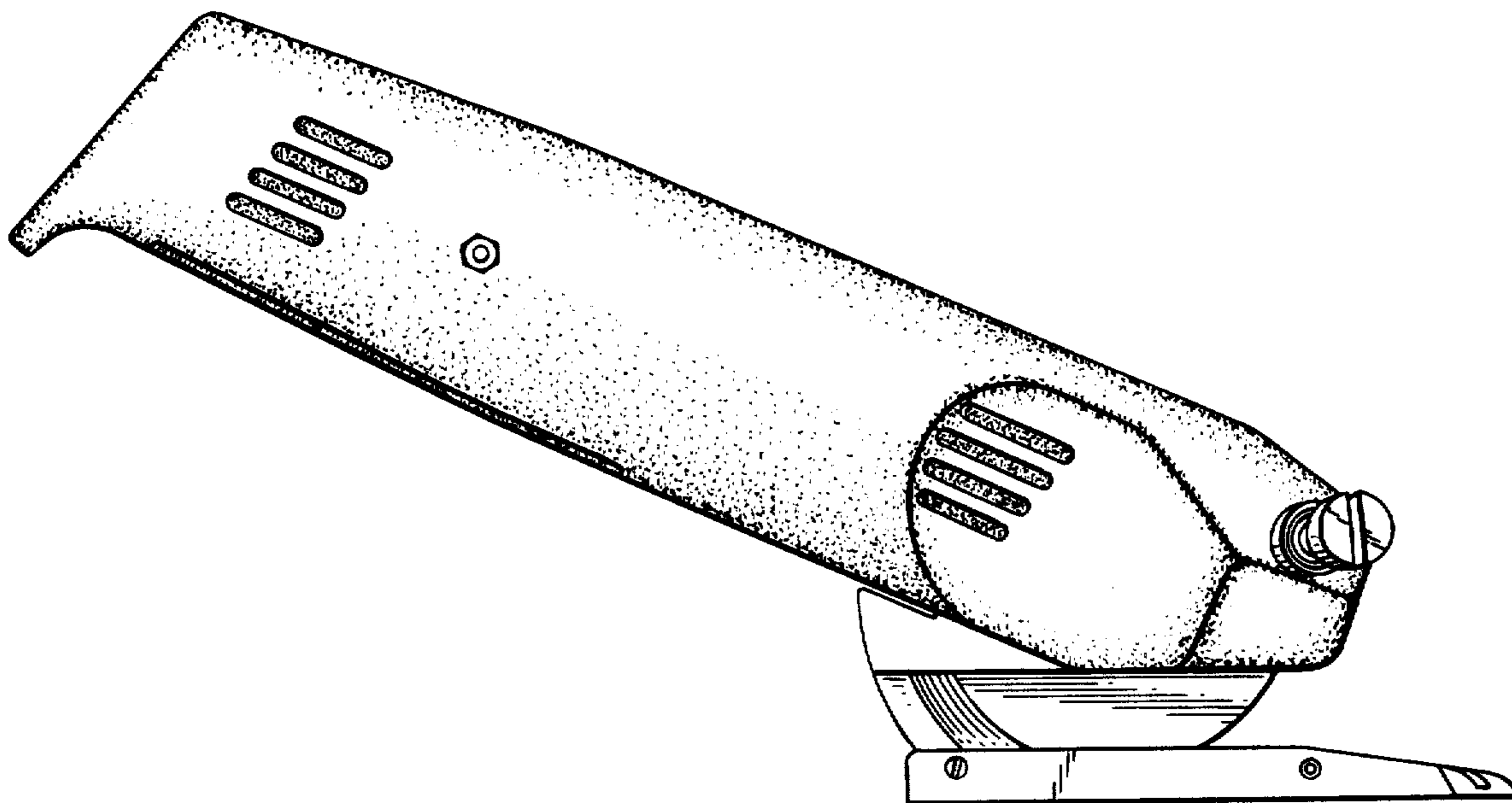
*Fig. 3.*



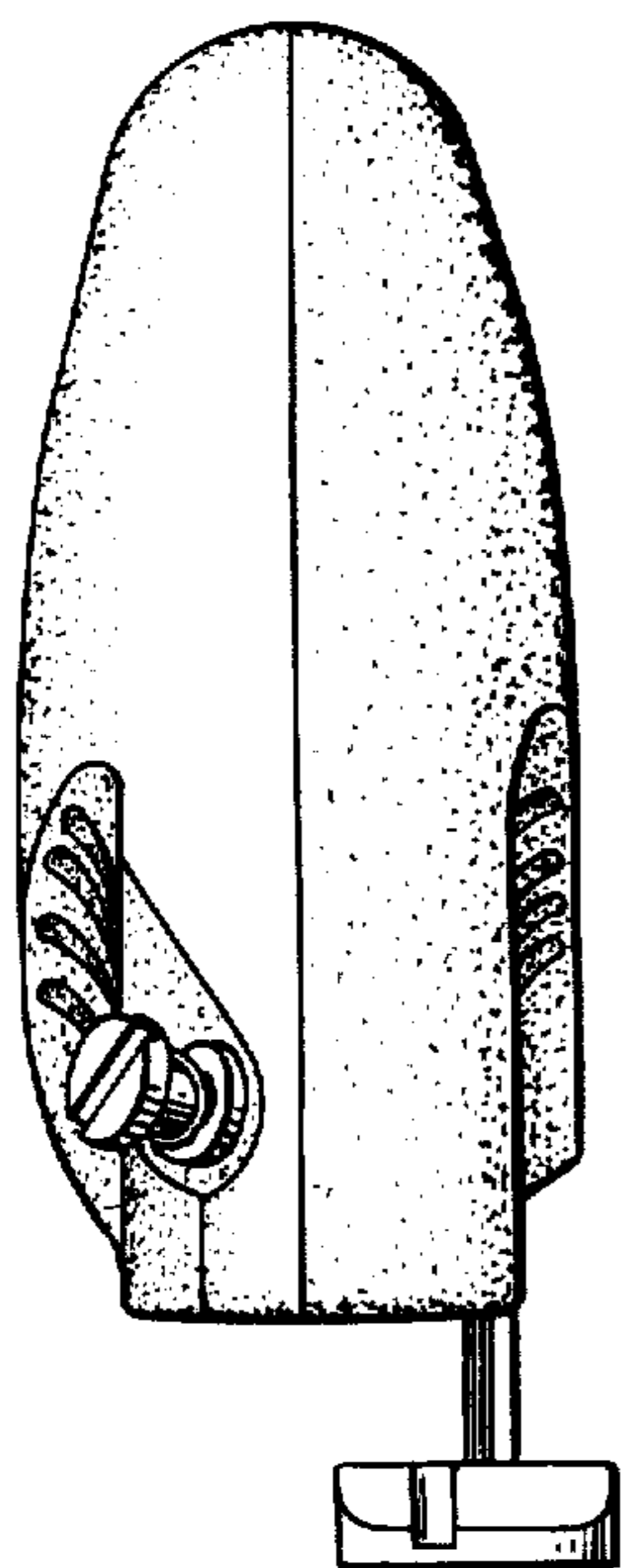
*Fig. 2.*



*Fig. 7.*



*Fig. 5.*



*Fig. 6.*

